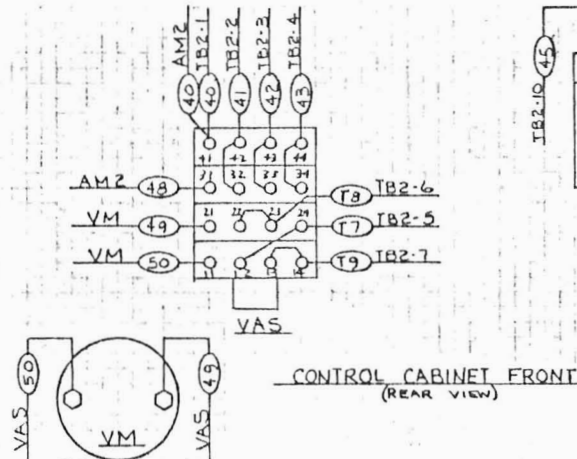
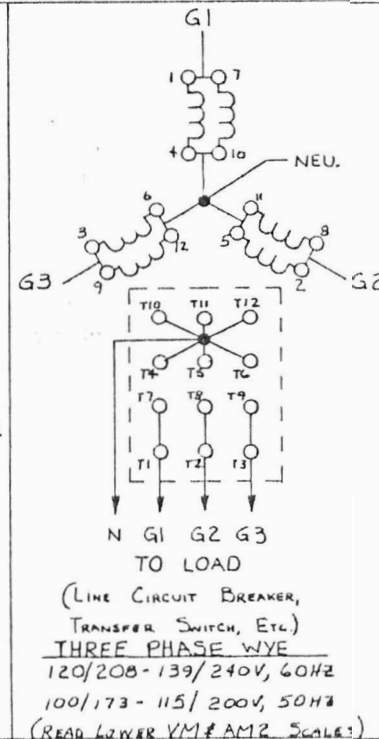
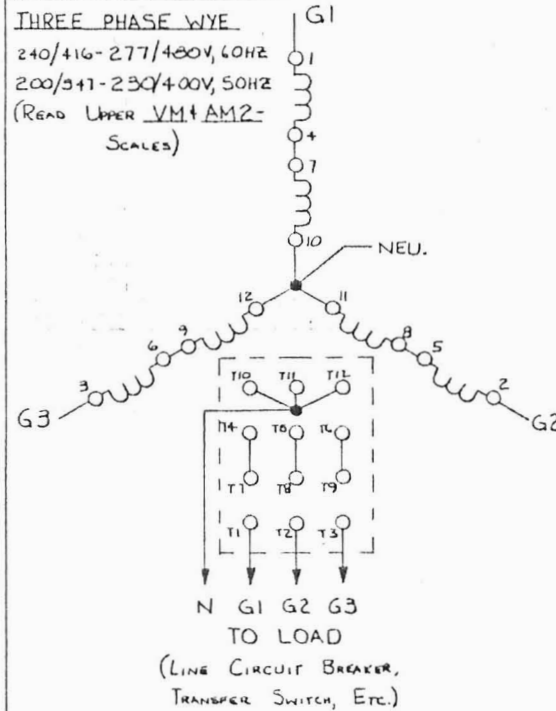
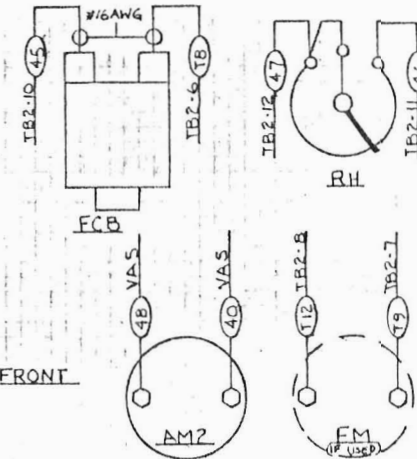


CONTROL CABINET FLOOR



CONTROL CABINET FRONT (REAR VIEW)



- NOTES:
- 1) ALL INTERNAL CONTROL CABINET WIRES TO BE #20GA, EXCEPT AS NOTED.
 - 2) ALL INTERCONNECTING WIRES BETWEEN TB2 & GEN-SET TO BE #16AWG.
 - 3) USE GVR SENSING TRANSFORMER TAP FOR 208-240 VOLT.

COMPLETELY REDRAWN: 7/25/80

WINCO
 Division of Dyna Technology, Inc.
 DETROIT, MICHIGAN U.S.A.

TITLE A.C. WIRING & CONN. DIAGRAM RECONNECTABLE W/AMMETER KIT		
MATERIAL		
DRAWN BY CB	DATE 6/26/79	SUPERSEDED BY
CHECKED BY	DATE	SUPERSEDED
APPROVED BY	DATE	SCALE
PATTERN OR FORGING NO.	DRAWING NO. 71519-2	