

60 Amp 100 Amp 200 Amp
 C-55728-1 C-55801-1 C-55810-1
 TSL A-55802 A-55812
 TSL A-55813 A-55814

60 Amp 100 Amp 200 Amp
 C-55728-2 C-55801-2 C-55810-2
 TSL A-55805 A-55813
 TSL A-55804 A-55814

C-5576

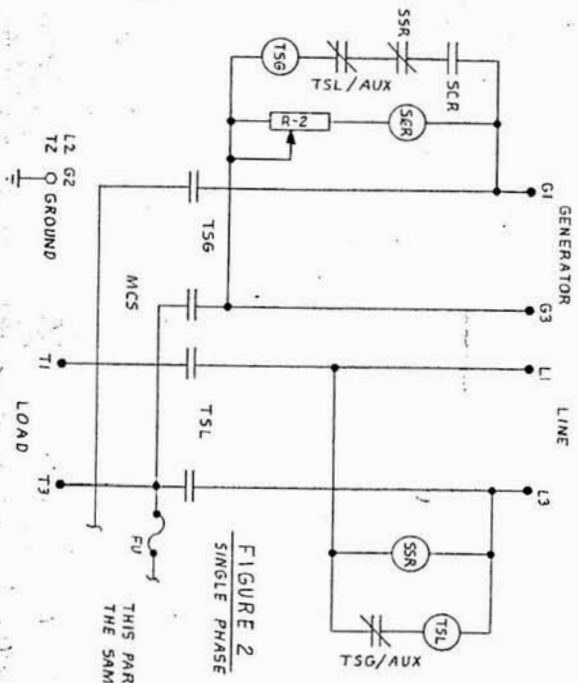


FIGURE 2
 SINGLE PHASE

THIS PART OF CIRCUIT IS
 THE SAME AS IN FIGURE 1

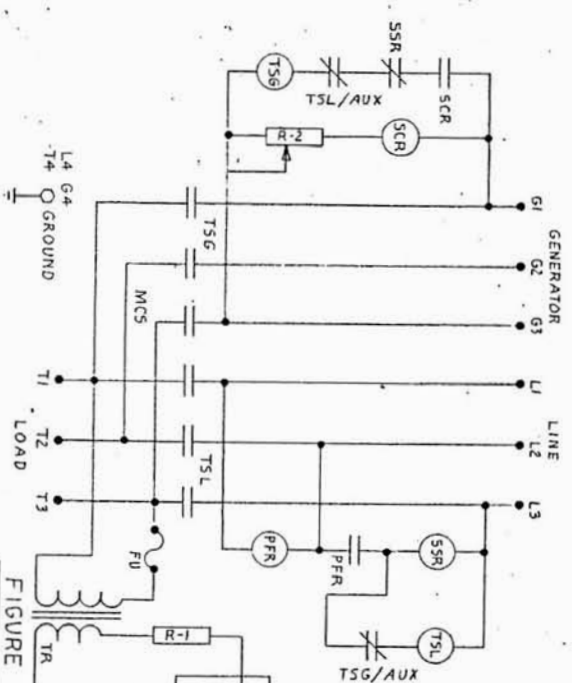
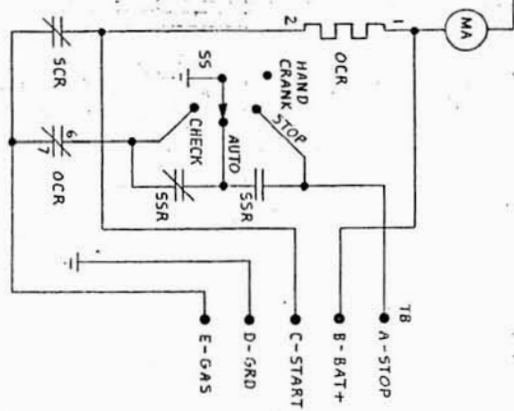


FIGURE 1
 3 PHASE



APPLICABLE MODELS	
40ETC-3/D	FB40ETC-3/D
60ETC-4/D	FB60ETC-4/D
100ETC-3/D	FB100ETC-3/D
100ETC-4/D	FB100ETC-4/D
200ETC-3/D	FB200ETC-3/D
200ETC-4/D	FB200ETC-4/D

NOV 8 1989
 ENERGY CORP.

DESIGNATION	FUNCTION	PART NO.			REMARKS
		60 Amp Models	100 Amp Models	200 Amp Models	
FU	Fuse for trickle charger		22219		Use fuse holder A-2489
MA	Milliammeter (charge rate)		A-22168		0-200 MA
MCS	Main contactor switch	See Figures 1 and 2			Includes TSL, TSG, & AUX switches
OCR	Over cranking relay		A-48585		
FFR	Phase failure relay		A-40518		3 phase models only
R-1	Charge rate limiting resistor		A-24787		30 ohms, 5 watts
R-2	Pull in voltage control resistor		A-22184		1000 ohms, 25 watt, adjustable
RECT	Charger rectifier		A-22191		
RH	Charge rate adjusting rheostat		A-24786		125 ohms, 25 watts
SCR	Stop cranking relay		A-23165		DP-1 N.C. and 1 N.O. - DB
SS	Selector switch		A-22185		4 position
SSR	Start/stop relay		A-50259		DPDT
TB	Terminal block		A-46849		
TR	Charger transformer		A-24785		
TSG	Transfer switch, gen. side	See Figures 1 and 2			Includes TSG/AUX
TSG/AUX	Gen. operated aux. switch	B-55722			Part of electrical interlock
TSL	Transfer switch, line side	See Figures 1 and 2			Includes TSL/AUX
TSL/AUX	Line operated aux. switch	A-55722			Part of electrical interlock

WINCHARGER CORP. SCHEMATICS

ALL DIMENSIONS GIVEN IN INCHES - UNLESS OTHERWISE SPECIFIED. DIMENSIONS IN PARENTHESES ARE FOR REFERENCE ONLY. DIMENSIONS IN BRACKETS ARE FOR REFERENCE ONLY. DIMENSIONS IN SQUARE BRACKETS ARE FOR REFERENCE ONLY. DIMENSIONS IN CIRCLES ARE FOR REFERENCE ONLY. DIMENSIONS IN TRIANGLES ARE FOR REFERENCE ONLY. DIMENSIONS IN DIAMOND SHAPES ARE FOR REFERENCE ONLY. DIMENSIONS IN OVALS ARE FOR REFERENCE ONLY. DIMENSIONS IN PARALLELOGRAMS ARE FOR REFERENCE ONLY. DIMENSIONS IN TRAPEZOIDALS ARE FOR REFERENCE ONLY. DIMENSIONS IN KITES ARE FOR REFERENCE ONLY. DIMENSIONS IN SECTORS ARE FOR REFERENCE ONLY. DIMENSIONS IN SEGMENTS ARE FOR REFERENCE ONLY. DIMENSIONS IN RHOIDS ARE FOR REFERENCE ONLY. DIMENSIONS IN SPINDLES ARE FOR REFERENCE ONLY. DIMENSIONS IN HELICES ARE FOR REFERENCE ONLY. DIMENSIONS IN ARCHES ARE FOR REFERENCE ONLY. DIMENSIONS IN CIRCULAR SECTORS ARE FOR REFERENCE ONLY. DIMENSIONS IN CIRCULAR SEGMENTS ARE FOR REFERENCE ONLY. DIMENSIONS IN CIRCULAR RHOIDS ARE FOR REFERENCE ONLY. DIMENSIONS IN CIRCULAR SPINDLES ARE FOR REFERENCE ONLY. DIMENSIONS IN CIRCULAR HELICES ARE FOR REFERENCE ONLY. DIMENSIONS IN CIRCULAR ARCHES ARE FOR REFERENCE ONLY. DIMENSIONS IN CIRCULAR CIRCULAR SECTORS ARE FOR REFERENCE ONLY. DIMENSIONS IN CIRCULAR CIRCULAR SEGMENTS ARE FOR REFERENCE ONLY. DIMENSIONS IN CIRCULAR CIRCULAR RHOIDS ARE FOR REFERENCE ONLY. DIMENSIONS IN CIRCULAR CIRCULAR SPINDLES ARE FOR REFERENCE ONLY. DIMENSIONS IN CIRCULAR CIRCULAR HELICES ARE FOR REFERENCE ONLY. DIMENSIONS IN CIRCULAR CIRCULAR ARCHES ARE FOR REFERENCE ONLY.