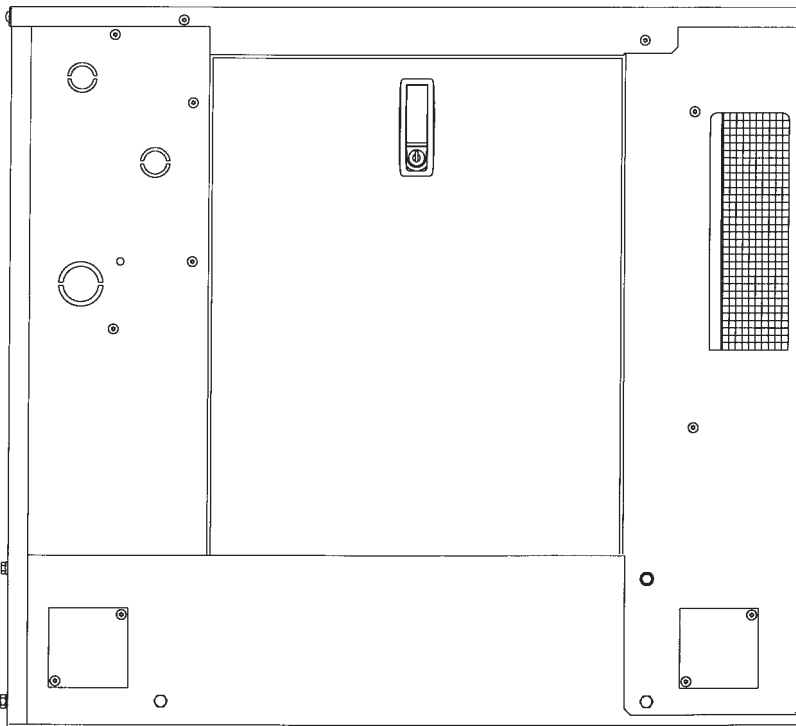


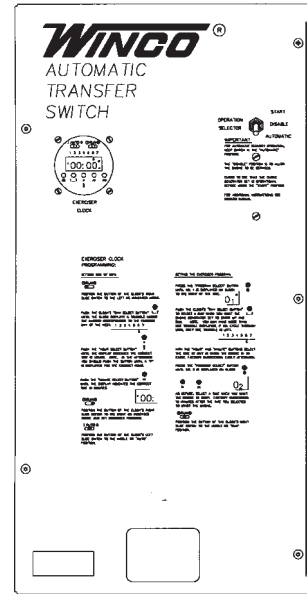
**INSTALLATION AND OPERATORS MANUAL**

**PSS8B2W/A**

**Automatic Transfer  
Switch**



**Engine Generator Set**



**Read and understand all instructions in the manual before starting and operating the generator set.**

## USING THIS MANUAL

Congratulations on your choice of a Winco generator set. You have selected a high-quality, precision-engineered generator set designed and tested to give you years of satisfactory service.

To get the best performance from your new engine generator set, it is important that you carefully read and follow the operating instructions in this manual.

Should you experience a problem please follow the "Things To Check" near the end of this manual. The warranty listed in this manual describes what you can expect from WINCO should you need service assistance in the future.

### TABLE OF CONTENTS

INTRODUCTION	i
GUIDE TO PRODUCT SAFETY	1
<b>BASIC INFORMATION</b>	2
Description	2
Specification Table	2
<b>PREPARING THE UNIT</b>	3
Unpacking the Unit	3
<b>ENGINE GENERATOR INSTALLATION</b>	3
Installation	3
Fuel Installation	4
Vapor Fuel Pressure Tables	5
Fuel Conversions	5
Lubrication	5
Battery Installation	6
Connecting Battery Charger	6
<b>TRANSFER SWITCH INSTALLATION</b>	6
AC Electrical Connections	7
DC Electrical Connections	8
Exerciser Clock Set Up	9
<b>INITIAL START-UP</b>	9
<b>TROUBLESHOOTING INFORMATION</b>	10
<b>WIRING DIAGRAMS</b>	
NON-UL ATS Wiring Diagram	12
ATS Dimensions	13
Generator Layout	13
AC & DC Generator Schematic	14
UL ATS Wiring Diagram	15
<b>12 MONTH WARRANTY</b>	16
<b>MAINTENANCE LOG</b>	17

## PROPER USE AND INSTALLATION

You must be sure your new engine generator set is:

- \* Properly serviced before starting
- \* Operated in a well ventilated area
- \* Properly exhausted and gases safely dispersed
- \* Wired by a qualified electrician
- \* Operated only for its designed purposes
- \* Used only by operators who understand its operation
- \* Properly maintained

## COPY YOUR MODEL AND SERIAL NUMBER HERE

No other WINCO generator has the same serial number as yours. It is important that you record the number and other vital information here. If you should ever need to contact us on this unit it will help us to respond to your needs faster.

MODEL \_\_\_\_\_

SERIAL NUMBER \_\_\_\_\_

PURCHASE DATE \_\_\_\_\_

DEALER \_\_\_\_\_

DEALER PHONE # \_\_\_\_\_

## SAFETY INFORMATION

This engine generator set has been designed and manufactured to allow safe, reliable performance. Poor maintenance, improper or careless use can result in potential deadly hazards; from electrical shock, exhaust gas asphyxiation, or fire. Please read all safety instructions carefully before installation or use. Keep these instructions handy for future reference. Take special note and follow all warnings on the unit labels and in the manuals.

## ANSI SAFETY DEFINITIONS

\*\*\*\*\*

### DANGER:

*DANGER indicates an imminently hazardous situation which, if not avoided, will result in death or serious injury. This signal word is to be limited to the most extreme situations.*

\*\*\*\*\*

\*\*\*\*\*

### WARNING:

*WARNING indicates a potentially hazardous situation which, if not avoided, could result in death or serious injury.*

\*\*\*\*\*

\*\*\*\*\*

### CAUTION:

*CAUTION indicates a potentially hazardous situation which, if not avoided, may result in minor or moderate injury. It may also be used to alert against unsafe practices.*

\*\*\*\*\*

### NOTE:

*CAUTION is also used on the unit labels and in this manual to indicate a situation that could result in serious damage or destruction of the equipment and possible personal injury.*

**1. ELECTRIC SHOCK** - The output voltage present in this equipment can cause a fatal electric shock. This equipment must be operated by a responsible person.

- Do not allow anyone to operate the generator without proper instruction.
- Guard against electric shock.
- Avoid contact with live terminals or receptacles.
- Use extreme care if operating this unit in rain or snow.
- Use only three-prong grounded receptacles and extension cords.
- Be sure the unit is properly grounded to an external ground rod driven into the earth.

**2. FIRE HAZARD** - Natural gas and L.P. present a hazard of possible explosion and/or fire.

- Do not refuel when the engine is running or hot. Allow the engine to cool at least two minutes

before refueling.

- Keep fuel containers out of reach of children.
- Do not smoke or use open flame near the generator set or fuel tank.
- Keep a fire extinguisher nearby and know its proper use. Fire extinguishers rated ABC by NFPA are appropriate.
- Store fuel only in an approved container, and only in a well-ventilated area.
- Follow local codes for closeness to combustible material.

**3. DEADLY EXHAUST GAS** - Exhaust fumes from any gasoline engine contain carbon monoxide, an invisible, odorless and deadly gas that must be mixed with fresh air.

- Operate only in well ventilated areas.
- Never operate indoors.
- Never operate the unit in such a way as to allow exhaust gases to seep back into closed rooms (i.e. through windows, walls or floors).

**4. NOISE HAZARD** - Excessive noise is not only tiring, but continual exposure can lead to loss of hearing.

- Use hearing protection equipment when working around this equipment for long periods of time.
- Keep your neighbors in mind when permanently installing this equipment.

**5. CLEANLINESS** - Keep the generator and surrounding area clean.

- Remove all grease, ice, snow or materials that create slippery conditions around the unit.
- Remove any rags or other material that could create potential fire hazards.
- Carefully clean up any gas or oil spills before starting the unit.
- Never allow leaves or other flammable material to build up around the engine intake or exhaust area.

**6. SERVICING EQUIPMENT** - All service, including the installation or replacement of service parts, should be performed only by a qualified technician.

- Use only factory approved repair parts.
- Do not work on this equipment when fatigued.
- Never remove the protective guards, cover, or receptacle panels while the engine is running.
- Use extreme caution when working on electrical components. High output voltages from this equipment can cause serious injury or death.
- Always avoid hot mufflers, exhaust manifolds, and engine parts. They all can cause severe burns instantly.
- Installing a generator set is not a "do-it-yourself" project. Consult a qualified, licensed electrician or contractor. The installation must comply with all national, state, and local codes.

## TESTING POLICY:

Before any generator is shipped from the factory, it is fully checked for performance. The generator is loaded to its full capacity, and the voltage, current, and frequency are carefully checked.

Rated output of generators is based on engineering tests of typical units, and is subject to, and limited by, the temperature, altitude, fuel, and other conditions specified by the manufacturer of the applicable engines.

## INTRODUCTION AND DESCRIPTION

The package standby system includes all items necessary for a completely automatic standby power system as standard equipment.

## DESCRIPTION

This packaged standby system is designed to automatically provide standby power to unattended loads during electrical outages. Upon an interruption of normal electrical service the packaged standby system electrical control circuits will automatically start the engine. The generator will produce electrical power and the Automatic Transfer Switch (A.T.S.) will automatically transfer the electrical loads to the engine-generator set. Upon restoration of normal electrical service the emergency transfer switch will sense return of the normal commercial power. The Automatic Transfer Switch will retransfer the load back to the normal commercial power source. The engine control circuits will begin a cool-down cycle, after which the fuel supply will be shut off and the engine ignition system disabled.

These packaged standby systems consist of two major components:

### 1) AUTOMATIC TRANSFER SWITCH

A wall mounted Automatic Transfer Switch (A.T.S.) designed for inside installation. The A.T.S. consists of a line side contactor and a generator side contactor. The contactors are both electrically and mechanically interlocked. A seven day electronic exerciser clock is installed in the A.T.S. as standard equipment. The A.T.S. also contains the power failure sensing circuitry necessary to send a start/stop signal to the engine generator set.

#### Automatic Transfer Switch Sizes (NON-UL)

UNIT	LINE SIDE CONTACTOR	GENERATOR SIDE CONTACTOR
PSS8B2W	110 AMPS	60 AMPS

#### UL Automatic Transfer Switch Sizes

UNIT	LINE SIDE CONTACTOR	GENERATOR SIDE CONTACTOR
PSS8B2W	100 AMPS	100 AMPS
	200 AMPS	200 AMPS

Both the 100 amps and the 200 amps UL Switches are available in single and three phase.

Additional optional A.T.S. sizes are available to meet specific needs. Contact your local WINCO dealer, or the WINCO Sales Department for a quote.

### 2) ENGINE/GENERATOR

The engine generator set consists of a Briggs & Stratton Vanguard, twin cylinder, four cycle air cooled engine. The engine is factory equipped to run on L.P. or N.G. fuel. The engine operates at 3600 rpm and frequency regulation is maintained by the engine governor within 4 cycles variation (62.5 Hz - 58.5 Hz) from no load to rated load. The generator is a brushless, single bearing, direct drive, rotating field design. The generator is connected to the engine's tapered (quill) crankshaft extension. The engine generator is mounted in a NEMA 3R enclosure for outside installation. Connection boxes are provided for all customer connections (both AC output and DC control). A customer supplied 235 CCA (BCI group U1) battery is required to complete the installation. Engine operation is controlled by an Electronic Engine Control Module (E.C.M.) mounted in the engine generator enclosure. The E.C.M. is equipped standard with a 10 second start delay, 90 second cool down delay and cycle cranking.

#### \*\* NOTICE \*\*

*This unit will automatically transfer if a power outage occurs while running in an exercise mode.*

## SPECIFICATIONS

### GENERATOR

MODEL	WATTS*	VOLTS	AMPS*	HZ	PH	RPM
PSS8B2W	8,000	120/240	33.0	60	1	3600

\*Derate 16% for Natural Gas operation. Derate 3.5% per 1000 feet elevation above sea level.

### FUEL CONSUMPTION

MODEL	NG 1000 BTU/CU FT			L.P. VAPOR 2520 BTU/CU FT		
	CF/HR	BTU/HR	#/HR*	GAL/HR	CF/HR	BTU/HR*
PSS8B2W	132	132,000	6.7	1.6	63	158,760

\*Based on full load operation

## L.P. TANK SIZING

Required L.P. Tank size for L.P. Vapor withdrawal operating at various outside temperatures given in degrees Fahrenheit (Celsius)

	TANK TEMPERATURE			
MODEL	60 f(16 c)	32 f(0 c)	0 f(-18 c)	-20 f(-29 c)
PSS8B2W	150 Gal.	150 Gal.	250 Gal.	500 Gal.

## ENGINE SPECIFICATIONS:

Refer to engine operating and maintenance instructions.

### \*\* NOTICE \*\*

*Regarding Engines - This manual covers the generator portion of these units. See the separate engine instruction manual for engine-related problems, detailed engine information and engine warranty.*

### \*\* CAUTION \*\*

*Be sure to check the engine oil level frequently, as specified in the engine manual.*

The engine manufacturer has established an excellent worldwide engine service organization; engine service is available from a nearby authorized dealer or distributor; check the yellow pages of the telephone directory under "engines," or ask the dealer from whom you purchased the power plant.

The rated power of each engine-generator is limited by the temperature, altitude and all other ambient conditions specified by the engine manufacturer. Engine power will decrease 3-1/2% for each 1000 ft. above sea level, and will decrease an additional 1% for each 10 degrees Fahrenheit above 60 degrees Fahrenheit.

## UNPACKING INSTRUCTIONS

### \*\* NOTICE \*\*

*When unpacking the generator set, be sure to inspect it carefully for freight loss or damage. If loss or damage is noted at the time of delivery, require that the person making the delivery make note of the loss or damage on the freight bill, or affix his signature under the consignor's memo of the loss or damage. Contact the carrier for claim procedures.*

When loss or damage is noted after delivery, segregate the damaged material, and contact the carrier for claim procedures. Be sure to retain the packaging material for carrier inspection.

"Concealed Damage" is understood to mean damage to the contents of a package which is not evident at the time of delivery by the carrier, but which is discovered later. The carrier or carriers are responsible for merchandise lost or damaged in transit. The title to goods rests with the consignee when generators are shipped

F.O.B. factory, and only the consignee can legally file a claim. Please note, most carriers have a time limit for filing concealed damage claims.

### \*\*\*\* CAUTION \*\*\*\*

*These units are shipped without oil. Be sure to check oil levels before operating. See engine manufacturer's instruction manual for recommended oil requirements before initial starting.*

## UNPACKING:

1. Carefully remove the carton.
2. After inspecting the engine-generator and transfer switch for external physical damage, check for the following items packed inside the carton.
  - a. Owner's manual, wiring diagram and parts list.
  - b. Engine manufacturer's instruction manual.
3. Remove main frame hold down bolts, (4).
4. Unit can now be lifted from shipping pallet.

## INSTALLATION

### General Information

\*\*\*\*\*  
\*\*\*\* **WARNING** \*\*\*\*  
\*\*\*\*\*

*Before proceeding with the installation, be sure the operation selector switch is in the stop position.*

**These engine/generator sets are designed to be mounted on a concrete pad outdoors only.** The transfer switch is mounted next to your electrical entrance or distribution panel inside the building. Consult a qualified, licensed electrician or contractor to install and wire the transfer switch. The installation must comply with all national, state and local codes.

Before beginning the installation process recheck the rating of the generator set and its transfer switch rating. Be certain they can handle the intended load and are compatible with the entrance voltage, phase and current ratings. Plans for installation should be prepared with proper attention to mechanical and electrical engineering detail to assure a satisfactory system installation. The information in this manual is offered only as a guide to finalizing your installation plans.



\*\*\*\* CAUTION \*\*\*\*

Be careful when sealing gas joints. Excessive sealing compound can be drawn into the solenoid, regulator or carburetor causing an engine malfunction.

**FUEL PRESSURE**

**L.P. & N.G. VAPOR FUEL**

Correct fuel pressure cannot be stressed enough. The most common cause for inoperative systems is an inadequate or incorrect fuel pressure. Performance of the engine is in direct relation to the correctness of the fuel system. Shown below is a block diagram of a typical L.P. or N.G. vapor fuel installation.

Notice the following tables give two (2) different units of measuring fuel pressure. The first and most accurate is the use of a simple water manometer. A manometer is calibrated in inches of water column. The second is with a pressure gauge calibrated in ounces per square inch.

Reference numbers 1 through 3 in the block diagrams above are system parts supplied by customer.

Reference number 4 is the engine generator set.

Below is a table of the fuel pressure reading at each reference in the system.

**Fuel Pressure Table**

**Single Regulator (L.P. Vapor only)**

	1	3	4
UNIT OFF	TANK PSI	7-11 in 4-6 oz	7-11 in 4-6 oz
STARTING	TANK PSI	7-11 in 4-6 oz	7-11 in 4-6 oz
NO LOAD	TANK PSI	7-11 in 4-6 oz	7-11 in 4-6 oz
FULL LOAD	TANK PSI	7-11 in 4-6 oz	7-11 in 4-6 oz

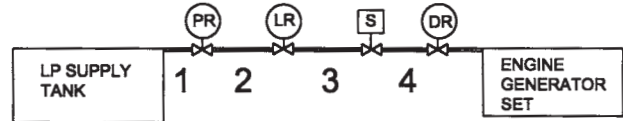
**Two (2) Regulator System (L.P. Vapor only)**

	1	2	3	4
UNIT OFF	TANK PSI	10-15 lbs	7-11 in 4-6 oz	7-11 in 4-6 oz
STARTING	TANK PSI	10-15 lbs	7-11 in 4-6 oz	7-11 in 4-6 oz
NO LOAD	TANK PSI	10-15 lbs	7-11 in 4-6 oz	7-11 in 4-6 oz
FULL LOAD	TANK PSI	10-15 lbs	7-11 in 4-6 oz	7-11 in 4-6 oz

**Natural Gas**

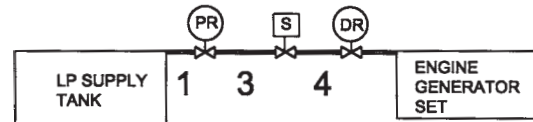
	1	3	4
UNIT OFF	LINE PSI	7-11 in 4-6 oz	7-11 in 4-6 oz
STARTING	LINE PSI	7-11 in 4-6 oz	7-11 in 4-6 oz
NO LOAD	LINE PSI	7-11 in 4-6 oz	7-11 in 4-6 oz
FULL LOAD	LINE PSI	7-11 in 4-6 oz	7-11 in 4-6 oz

**TWO REGULATOR FUEL SYSTEM**



LEGEND  
 PR - PRIMARY REGULATOR  
 (REDUCES TANK PRESSURE TO 10-15 PSI)  
 LR - LOW PRESSURE REGULATOR  
 (REDUCES FUEL PRESSURE TO 4 TO 6 OZ)  
 S - FUEL SOLENOID VALVE  
 (POSITIVE FUEL SHUT-OFF SOLENOID)  
 DR - DEMAND REGULATOR  
 (REQUIRES ENGINE VACUUM TO OPEN)

**DUAL STAGE SINGLE REGULATOR SYSTEM**



LEGEND  
 PR - PRIMARY REGULATOR  
 (REDUCES TANK PRESSURE TO 4 TO 6 OZ)  
 S - FUEL SOLENOID VALVE  
 (POSITIVE FUEL SHUT-OFF SOLENOID)  
 DR - DEMAND REGULATOR  
 (REQUIRES ENGINE VACUUM TO OPEN)

**LP/NG FUEL CONVERSION**

These generator sets are factory tested on Natural Gas and will require no modifications for normal operation on Natural Gas. The carburation system has been preset and anti-tamper plugs have been installed in the carburetor as required by EPA.

If you are operating on LP fuel you will have to make the following modification: On the left side of the engine, above the starter there is a small two wire connector lying loose. This connector has to be plugged into the mating two wire connector coming out of the carburetor area on the left side of the unit. This connection will engage an orifice in the carburetor allowing the unit to operate on Liquid Propane Vapor fuel. **NO** other adjustments are required.

If you are reinstalling a unit that has been operating on Liquid Propane vapor and you now want to operate it on Natural Gas all that you will need to do is unplug this connector.

**LUBRICATION**

Before starting the engine, fill the crankcase with the proper weight/grade of oil, as recommended by the engine manufacturer's maintenance instructions. The necessity of using the correct oil, and keeping the crankcase full cannot be over emphasized.

## INSTALLING THE BATTERY

### \*\*\*\* CAUTION \*\*\*\*

In the following battery installation procedure, check to be sure the selector switch remains in the "stop" position. This should be your last step before initial start-up.

A customer supplied twelve-volt battery is required to complete the installation. Installation of the highest CCA rated battery, within the correct BCI group, will increase cold weather starting performance. *Gel batteries should not be used with the battery tender installed in the generator enclosure.*

<u>Model</u>	<u>BCI Group</u>	<u>MINIMUM CCA Rating</u>
PSS8B2W		U1 235

### \*\*\*\*CAUTION\*\*\*\*

**EQUIPMENT DAMAGE** - Always connect the positive cable first and the negative cable last, when disconnecting, it is negative cable first and positive last. Failure to connect and disconnect in the proper sequence can cause equipment damage.

Observe polarities: connect the positive (+) battery terminal to the (+) cable from the control panel; the negative (-) battery terminal is connected to the negative cable (ground) from the engine generator assembly.

All connections must be clean and tight. Check the electrolyte (fluid) in the battery periodically to be sure it is above the plates. Never allow the battery to remain in a discharged condition.

### \*\*\*\*CAUTION\*\*\*\*

**EQUIPMENT DAMAGE - NEVER JUMP START** these units. Doing so will destroy the engine control module rendering the unit non-operational. Remove and fully recharge the battery before attempting to start.

## CONNECTING THE BATTERY CHARGER

A two-stage battery tender is provided on all PSS series generators. This battery tender charges at a rate of 750 mA until the battery is fully charged and then automatically switches to a 13.2 VDC float charger. The charger has an indicator light on it, red indicates it is charging, and green indicates it is in the storage mode (float charge). This charger is mounted on the engine generator set in the same location as the other AC and DC connections.

This battery tender requires a circuit breaker protected AC circuit from your distribution panel be run out to the engine generator set. These AC wires can be run in the same conduit as the other AC leads from the generator. It is suggested that this circuit be fused for 15 amps.

A 120 volt receptacle is mounted in the generator connection box. The receptacle is prewired with black, white and green leads attached to it, this is where you will connect your 120 volt fused power feed.

### \*\* NOTICE \*\*

*The battery tender is not intended to recharge a battery which has become completely discharged. It is designed to produce enough current to recharge a slightly low battery, maintaining it fully charged.*

## MOUNTING THE AUTOMATIC TRANSFER SWITCH (A.T.S.)

### \*\*\*\*\* \*\*\*\* WARNING \*\*\*\* \*\*\*\*\*

**EQUIPMENT DAMAGE-** Protect the switch from construction grit and metal chips to prevent a malfunction or shortened life of the switch. Contactors returned for warranty consideration with foreign material inside of them will not be warranted.

The Automatic Transfer Switch connects the load (lights, furnace, outlets, etc.) to the normal power line during standby. When normal power fails, the A.T.S. starts the engine generator set, disconnects the power line and then connects the load to the standby generator set. When normal power is restored, the automatic switch retransfers the electrical load to the normal service and stops the engine. The A.T.S. panel should be mounted as close to the distribution panel as possible.

### \*\*\*\*\*NOTE\*\*\*\*\*

**EQUIPMENT DAMAGE-** The NON-UL WINCO ATS does not protect against undervoltage. If you are in an area that is susceptible to brown outs (low voltage) you may want to consider adding an undervoltage sensor to standard ATS panel. Contact your dealer or WINCO.

### \*\*\*\*\* \*\*\*\* WARNING \*\*\*\* \*\*\*\*\*

*All wiring must be done by a licensed electrician, and must conform to the national electrical code and comply with all state and local codes and regulations. Check with your electrical inspectors before proceeding!*

The non UL Automatic Transfer Switch shipped with these systems has a 110 Amp line side contactor installed to handle your normal power needs and a 60 Amp generator side contactor to handle the emergency generator output. Before installing the A.T.S. you must first ensure that the 110 Amp line side contactor will be sufficient to handle your complete service. See Figure 3. (i.e. the main line breaker must not be larger than 110 Amps) If you have a 125, 150, 200 Amp or larger system, you will not be able to transfer the complete electrical system. In this case it will be necessary to install a secondary emergency distribution panel. See Figure 4. NOTE: THE MAXIMUM OUTPUT OF THE GENERATOR IS 40 AMPS AT 240 VOLTS. You must also take this into consideration when deciding whether to install an emergency distribution panel.

\*\*\*\*\*  
 \*\*\*\*\*  
**\*\*\*\*\* DANGER \*\*\*\*\***  
 \*\*\*\*\*

Be certain the operation selector switch on the front of the A.T.S. Control is in the "stop" position and the main power switch "off". For your own protection, verify these important safety precautions yourself with reliable instruments before proceeding.

### A.C. ELECTRICAL CONNECTIONS

\*\*\*\*\*  
**\*\*\*\*\* WARNING \*\*\*\*\***  
 \*\*\*\*\*

A FUSED DISCONNECT OR CIRCUIT BREAKER MUST BE INSTALLED BETWEEN THE GENERATOR AND THE A.T.S. PANEL TO PREVENT OVERLOADING AND BURNING OUT THE GENERATOR. FAILURE TO PROVIDE A FUSED DISCONNECT OR CIRCUIT BREAKER, RATED AT GENERATOR RATING WILL VOID YOUR WARRANTY IN CASE OF GENERATOR FAILURE.

#### Generator Connections

To gain access to the customer connections Remove the end panel opposite the hot air discharge end. All connections including AC & DC connections to the ATS, 120 Volt power connection for battery charger, and battery installation are made behind this panel. After removing the end panel you will need to remove the cover over the connection box in the upper right hand corner. Knockouts are provided on the outside of the enclosure for your convenience. See page 13 for unit layout.

Three AC power leads are required between the generator and the A.T.S.; a fourth lead will be required if you are required by code to provide an isolated neutral. The units are shipped with the neutral bonded to ground. If you need to run an isolated neutral, you will need to remove the generator neutral leads from the ground lug mounting bolt where they are attached. You will then need to run both a neutral and a ground lead in addition to the two power leads all the way back to your distribution panel. The two power leads from the generator are marked X1 and X4.

All power leads from the generator to the A.T.S. must be sized to handle rated generator output amperage at a minimum, the type of wire you use will determine the gauge required. Consult your local wire supplier for proper gauge and type for your installation.

In addition to the power leads you will also need to run a three wire 120 volt, 15 amp circuit from your distribution panel to the generator. This circuit will be used to power the battery charger.

The last two wires you will need are the DC control leads for the start circuit in the A.T.S. These last two connections will be discussed later in more detail.

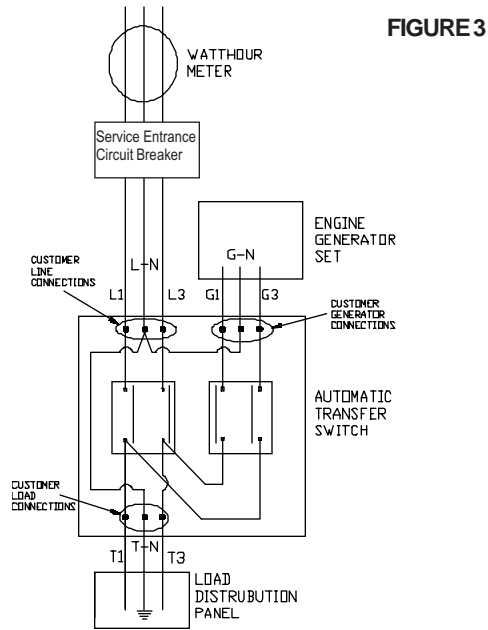
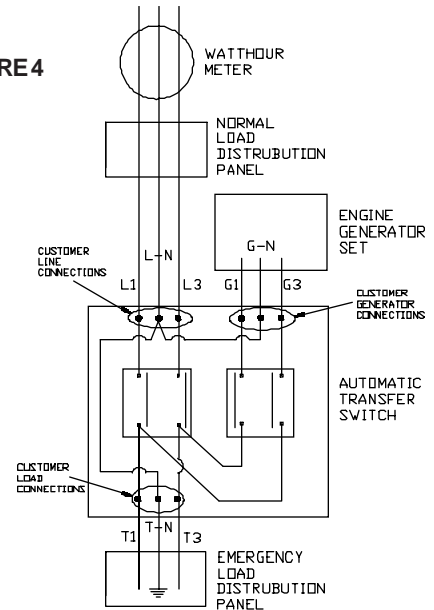


FIGURE 4



#### A.T.S. Connections - for standard Non-UL WINCO ATS

The standby generator terminals in the A.T.S. are marked "GENERATOR - G1, G-N, G3". The "hot" leads #1 and #4 from the generator are wired to the generator side contactor, terminals G1 and G3.

The line terminals in the A.T.S. are marked "LINE - L1, L-N, L3". The "hot" line leads L1 and L3 are wired to the line side contactor, terminals L1 and L3.

The load terminals in the A.T.S. are marked "LOAD - T1, T-N, T3". The "hot" leads T1 and T3 are wired to the bottom side of both the line side and the generator side contactor.

If you are using a separate ground lead it is routed to the ground lug in the A.T.S.

## WINCO UL ATS (ASCO165)

The standby generator terminals in the A.T.S are marked "ALTERNATE L2 & L6". The "hot" leads X1 and X4 from the generator are connected to the terminals L2 & L6.

The normal line power terminals in the A.T.S. are marked "PREFERRED - L1 & L5". The "hot" line power leads are L1 and L3 from your normal power supply are connected to terminals L1 and L3.

The load terminals in the A.T.S. are marked "LOAD - L3 & L7". The leads to the load distribution panel are connect to terminals L3 & L7.

The neutral leads from all three locations are connected to the isolated terminal lugs on the sidewall of the cabinet. This terminal block is labeled "NEUTRAL" and the terminal lugs are mounted on red isolation standoffs.

If you are using separate ground leads from all locations they are connected to the grounded terminal lugs also on the side wall. This set of terminals is labeled "GROUND".

## INSTALLATION NOTES

The load current carrying wires (L) and (T) must be sized to handle the maximum load current without excessive voltage drop. By code, the wire must be heavy enough to handle the full current rating of the main line circuit-breaker (or fuse) in the entrance (or sub-panel) protecting the contactor switch.

All wires should be installed in rigid or flexible conduit. (Knockouts are provided in the control box)

Because of the many different types of service, feeder, and distribution equipment, no specific wiring instructions can be provided. It is, however, recommended that only copper wire be used. In all cases it is essential that while the load is connected to the generator, there can be absolutely no feedback from the generator to the power line or the power line to the generator. When properly installed, the normal A.T.S. control and safety systems will eliminate all paths for feedback. Check with your local electrical inspector on applicable local, state and federal codes.

\*\*\*\*\*

\*\*\*\*\* **WARNING** \*\*\*\*\*

\*\*\*\*\*

*A service disconnect must be installed in front of the A.T.S. panel as the A.T.S is not service entrance rated. This will allow you to test the generator under load. Should you ever have to work on the switch, you will be able to disconnect the power and work on the switch cold without having the power company pull your meter.*

To wire the automatic transfer switch into the existing wiring, first determine which circuits will be on the emergency load circuit. If the entire load is to be transferred, the transfer switch can be wired in directly after the watt-hour meter and the service entrance, providing the service entrance ampere rating is within the transfer switch's rated capability.

If only specific circuits are to be powered under emergency power failure conditions, an additional distribution panel designated "emergency distribution panel" must be installed.

All selected emergency circuits are removed from main distribution panels and reinstalled in the emergency distribution panel. Suggested circuits: freezer, refrigerator, furnace, emergency lights, sump pump, emergency outlet circuits, etc. Total running load must not exceed generator rating.

## D.C. ELECTRICAL INTERCONNECTION

\*\*\*\*\***CAUTION**\*\*\*\*\*

*Never run the AC and DC wiring in the same conduit.*

## WINCO NON-UL ATS

Two control wires are required to be installed between the A.T.S. panel and the generator control terminal box. Depending on the distance 14 to 16 gauge stranded wire should be used. These wires will be labeled "Bat -", and "Start".

The control wires will be connected as follows in the generator control terminal box:

ATS Panel		Generator Control Panel
Start 1	to	Wire # S1, (Bat Neg)
Start 23	to	Wire # S23 (Start)

## ASCO 165 UL SWITCH

Your DC connection points in the ASCO 165 UL ATS are on the terminal block in the upper right hand corner of the ATS panel. The terminal block is numbered 1 through 9. You will be using terminals 4 and 5, wire Start 23 will connect to terminal #5 and wire Start 1 will connect to terminal #4. See page 15 for a connection diagram.

## SETTING THE EXERCISER CLOCK WINCO Non-UL Only

**SEE THE MANUAL SHIPPED WITH THE UL  
ATS PANELS FOR THE PROPER PROCEDURE FOR SETTING THE WEEKLY  
EXERCISE PROGRAMS ON ALL UL  
SWITCHES.**

### Setting the current time and date.

1. Position the top right hand (RUN) slide switch to the left position.
2. Push the clock's "Day Select Button" until the clock displays a triangle under the number corresponding to the current day of the week. (Monday is day 1, Sunday is day 7)

3. Push the "Hour Select Button" until the display indicates the correct time in hours. Note: In the afternoon you should push the button until a "P" is displayed beside the correct hour.
4. Push the "Minute Select Button" until the display indicates the correct time in minutes.
5. Position the top right hand (RUN) slide switch to the center position. The correct time and date should now be displayed.

### Setting the Exerciser Program:

1. Position the top right hand (RUN) slide switch to the right hand position.
2. Position the top left hand (AUTO) slide switch to the center position.
3. Press the "Program Select Button" until No. 1 is displayed on the clock to the right of the time.
4. Push the "Day Select Button" to select the day you want the engine generator set to start up and run. Note: You can get more than one triangle displayed on the clock. If this happens just keep pressing the button and it will work back through the cycle and display only one triangle under whichever day you desire.
5. With the "Hour" and "Minute" buttons select the time of day you want the engine to start up.
6. Press the "Program Select Button" until No. 2 is displayed on the clock.
7. Push the "Day Select Button" to select the day you want the engine to stop. This must be the same day you selected in step 4 above.
8. With the "Hour" and "Minute" buttons, select the time you want the engine to stop. It is recommended you let the engine run at least 15 minutes during any exercise period.
9. Position the top right hand (RUN) slide switch to the center (RUN) position.

### CLOCK NOTES:

This seven day exerciser clock has seven additional program cycles available. Always keep in mind the odd number turns the unit on and the even number shuts the unit off. (i.e. (3 on, 4 off) (5 on, 6 off) etc.)

The relay in the clock will not work unless the transfer switch is installed and powered up. The relay needs 120 volts AC to operate.

If, when you finish programming the clock, you get an "EEEE" on the display, it stands for error. The most common error is that the day of operation has not been properly set at each step or a program has been turned on and not turned off. (i.e. programs not properly grouped 1 & 2, 3 & 4, 5 & 6, etc.)

On the face of clock is a small button marked "R", this is a reset switch. Depressing this switch will remove all

programming in the clock including the time, Use a small screwdriver or the tip of a pencil to depress this button. This should be used only as a last resort.

## INITIAL START UP

\*\*\*\*\*  
 \*\*\*\*\*  
 \*\*\*\* **WARNING** \*\*\*\*  
 \*\*\*\*\*  
 \*\*\*\*\*

*DO NOT jump start these engine generator sets. Starting these units on a low battery or jump starting them will cause damage to the engine control module.*

### Use the following check list to verify correct installation before starting the engine:

- Engine oil.\* Check level & fill as required with proper grade/qty.
  - Unit mounting base properly bolted down.
  - Clearance for service and maintenance on all sides.
  - Proper fuel line material, and size.
  - All fuel line connections tight.
  - Fuel line protected and a moisture trap installed (may be required for N.G.).
  - LP/NG pressure O.K. 4-6 Oz. (7-11" WC).
  - Battery connections clean and tight.
  - Battery fully charged.
  - All A.C. and D.C. wiring installed and properly protected.
- \* Refer to engine owners manual for proper levels and type.

After completing the above checklist, the engine-generator set is ready for the initial start-up test.

## PROCEDURE

Move the selector switch on the engine generator to the "RUN" position. The engine-generator will crank and start automatically. If the engine fails to start, return selector switch to the "stop" position and correct the trouble before proceeding.

With the engine running smoothly, check the no load voltage and frequency at terminals G1 and G3 (L2 and L6 in the ASCO ATS) on the generator terminal block in the A.T.S. The voltage should be between 242 to 248 volts. The frequency should be between 61.5 to 62 hertz (Hz). The voltage should also be checked between the hot terminals (G1 and G3 or L2 and L6) and the neutral to be certain of a balanced voltage output and a solid neutral connection. The voltage should be about one half of the line to line voltage or approximately 121 to 124 volts AC between both power feeds and neutral.

### \*\* Notice \*\*

*If for any reason during the check out procedure the voltage and frequency are not correct, turn the selector switch to the "STOP" position and correct the trouble before proceeding.*

After verifying the voltage and frequency are correct, turn the selector switch to the "STOP" position. The unit should shut off with no time delay. You are now ready to test the automatic start function.

The next portion of the start up procedure applies only to the WINCO NON-UL ATS. For all UL switches you **MUST** follow the initial start up procedure as outlined in the Automatic Transfer Switch manual. Failure to do so may cause problems with the switch operation.

Move the selector switch on the engine generator set to the "AUTOMATIC" position. Next move the selector switch on the A.T.S. panel to the "START" position. The unit will go into a 3 to 10 second start delay and then start up. If it fails to start at this time, check your DC interconnection wiring. When the selector switch on the A.T.S. is moved to the "DISABLE" position the unit will go into a cool down period and then shut off. As long as line power is still applied to the transfer switch during this test period the A.T.S. will not transfer the load to the generator.

Next you need to test the complete system. To accomplish this you will have to fail the incoming line power to the A.T.S. panel. First move both selector switches to the automatic position. Then fail the incoming power. All the loads connected to the A.T.S. should now be dead. The engine generator set will go into a 3 to 10 second start delay. At the end of the start delay the unit will start up. As soon as the engine generator set reaches operating speed the generator side contactor will close and the load will be applied to the engine generator.

Restoring the line power will cause the generator side contactor in the A.T.S. to open. The line side contactor will close as soon as the generator side contactor clears the mechanical interlock and closes the electrical interlock. These interlocks ensure that you get a clean 'break before make' action in the transfer switch.

The restoration of line power also sends a stop signal to the engine generator set. This stop signal will activate a cool down timer circuit. The engine generator will shut down 90 seconds later.

This completes your installation and unit testing. ALWAYS leave the system in automatic mode unless servicing the unit. For automatic operation, keep both the generator set and transfer selector switches in the "AUTOMATIC" position.

## **TROUBLESHOOTING TABLES**

### **RED ALARM LIGHT IS ON**

The red alarm light on the engine control panel is an indication that the unit either failed to start during the last cycle or shut down before the cycle or outage was complete. Moving the toggle switch on the engine control to the off position will turn the light off and allow the engine to be restarted.

\*\*\*\*\*  
\*\*\*\* **WARNING** \*\*\*\*  
\*\*\*\*\*

*A lite alarm light means the unit either when into overcrank, the engine is low on oil or the engine stopped for some reason. Before resetting the light and operating the unit first determine why it shut down. Failure to correct a problem could cause permanent damage to you equipment.*

\*\*\*\*\*  
\*\*\*\* **WARNING** \*\*\*\*  
\*\*\*\*\*

***NEVER JUMP START THESE UNITS. JUMP STARTING THESE UNITS WITH LOW OR BAD BATTERIES WILL CAUSE PERMANENT DAMAGE TO THE ENGINE CONTROL MODULE.***

### **UNIT WILL NOT CRANK WHEN THE POWER FAILS.**

1. Alarm light on, from previous run cycle.
2. Generator control switch not in "AUTOMATIC" position.
3. Transfer control switch not in "AUTOMATIC" position.
4. Low or dead battery, must hold 12 volts during cranking.
5. Incorrect wiring between transfer switch and generator.
6. Defective start/stop relay in the transfer switch.
7. Circuit breaker tripped on engine control.
8. 3/4 amp fuse blown on engine control.
9. Defective engine control module.
10. Loose or dirty battery terminals.
11. Defective "Run/Auto" switch.
12. Defective starter.
13. Defective start solenoid.

### **ENGINE WILL NOT CRANK WITH GENERATOR SELECTOR SWITCH IN THE RUN POSITION.**

1. Low or dead battery, must hold 12 volts during cranking.
2. DC circuit breaker on control module tripped.
3. 3/4 amp fuse blown on control module.
4. Defective engine controller.
5. Loose or dirty battery terminals.
6. Defective "Run/Auto" switch.
7. Defective starter.
8. Defective start solenoid.
9. Locked up engine generator set.

### **ENGINE CRANKS BUT WILL NOT START.**

1. Improper fuel pressure being delivered to unit.
2. Fuel supply shut off.
3. Fuel tank empty.
4. Defective spark plug.
5. Defective engine ignition module.
6. Dirty air cleaner filter.
7. Defective fuel solenoid valve.
8. Low voltage from battery to fuel solenoid, must hold 12 volts during cranking.
9. Oil in the bottom of air cleaner from crankcase breather.

### **ENGINE STARTS AND THEN STOPS AND FAULT LIGHT COMES ON.**

1. Engine is low on oil.
2. No AC output from generator to engage stop crank circuit.

### **ENGINE WILL NOT COME UP TO SPEED AFTER IT STARTS.**

1. Insufficient fuel volume getting to the unit.
  - a. Fuel line too small.
  - b. Low fuel pressure.
2. AC short circuit.
3. Wiring to the A.T.S. panel crossed or shorted.
4. Unit is overloaded, check load amperage.

### **ATS PANEL WILL NOT TRANSFER TO EMERGENCY SUPPLY (GENERATOR).**

1. No AC generator output from generator.
2. Broken or defective mechanical/electrical interlocks.
3. Defective holding coil in the generator side contactor.
4. Wiring error between generator set and transfer switch.
5. Defective start/stop relay in ATS.

### **ATS PANEL WILL NOT PULL IN ON NORMAL POWER.**

1. Proper normal line power not available at line terminals in ATS panel.
2. Defective holding coil in line side contactor.
3. Broken or defective mechanical/electrical interlock.
4. Defective start/stop relay in ATS.

### **NO AC OUTPUT FROM GENERATOR.**

1. Diodes on rotor blown.
2. Defective capacitor(s).
3. Defective rotor.
4. Defective stator.
5. AC short in the output leads.

6. Unit has lost its residual voltage.
7. Rotor loose on engine crankshaft.
8. Low engine speed, must be 3600 RPM.
9. AC short on output leads.

## **PREVENTIVE MAINTENANCE**

Reasonable care in preventive maintenance will insure high reliability and a long life for the engine generator set and the Automatic Transfer Switch.

\*\*\*\*\*

\*\*\*\* WARNING \*\*\*\*  
\*\*\*\*\*

*When performing any type of maintenance on this equipment make sure the selector switch on the engine generator is in the off position. If you are working in the Automatic Transfer Switch, confirm with a reliable meter that all power has been disconnected.*

## **AUTOMATIC TRANSFER SWITCH**

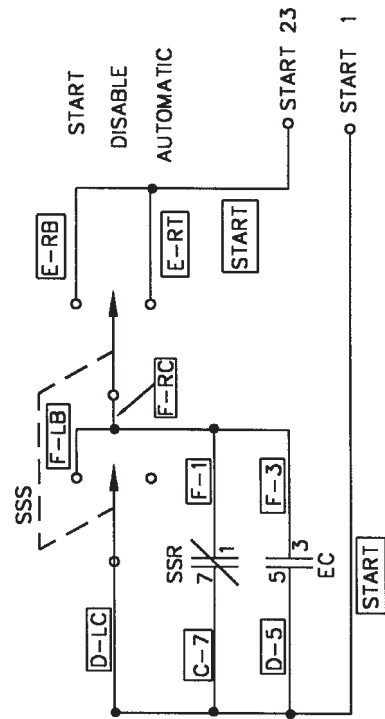
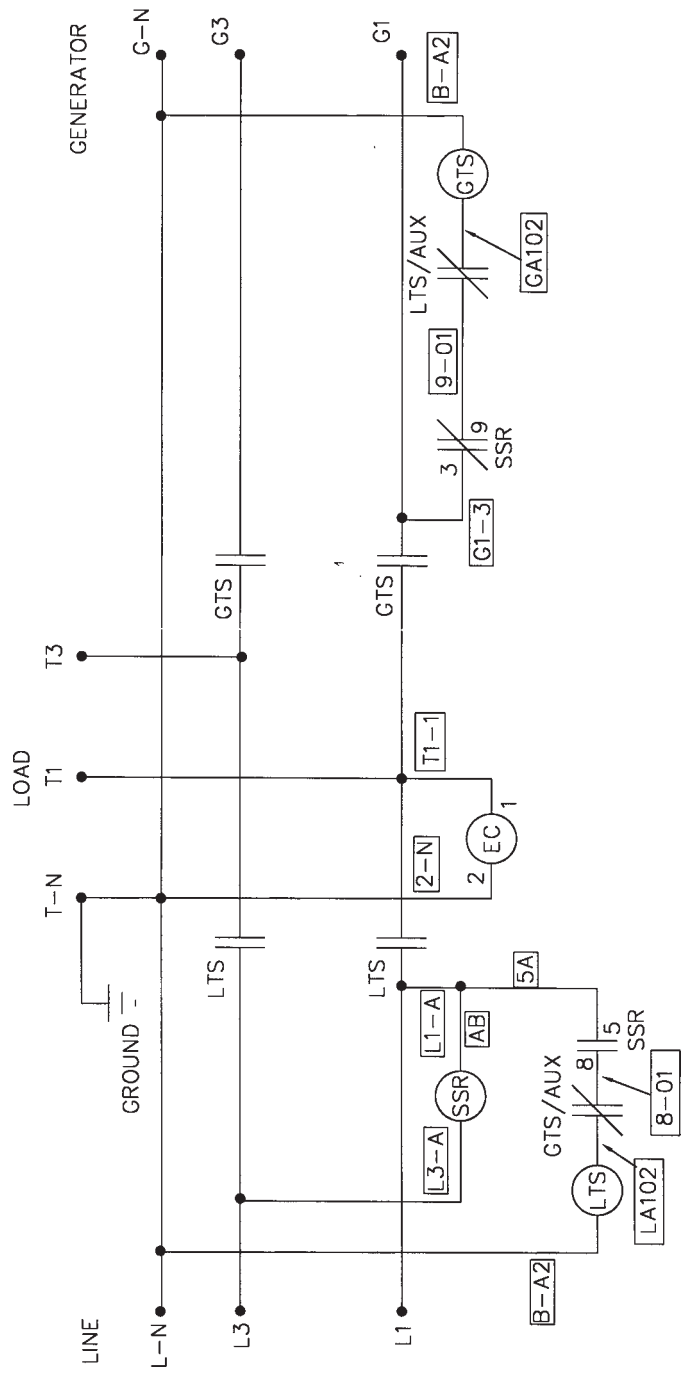
Clean and inspect the switch once a year. De-energize all power sources, both line and engine generator set, then brush and vacuum away any excessive dust and dirty accumulation. You can at this time with the contactor de-energized remove the contactor covers and check the contacts. Make sure the contacts are clean and not burned or pitted.

## **ENGINE GENERATOR SET**

Service the engine in accordance with the engine manufacturers manual provided with your new equipment. Routinely remove debris and dirt from around and inside generator enclosure. Insure that the air intakes are free from leaves and other debris at all times.

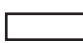
Clean and inspect battery terminals at least twice a year. Check the battery water level at least twice a year also.

Other than keeping the generator clean and free of debris there is no other routine or preventive maintenance required, as long as the generator is run once a week to keep it dry and in good working order.

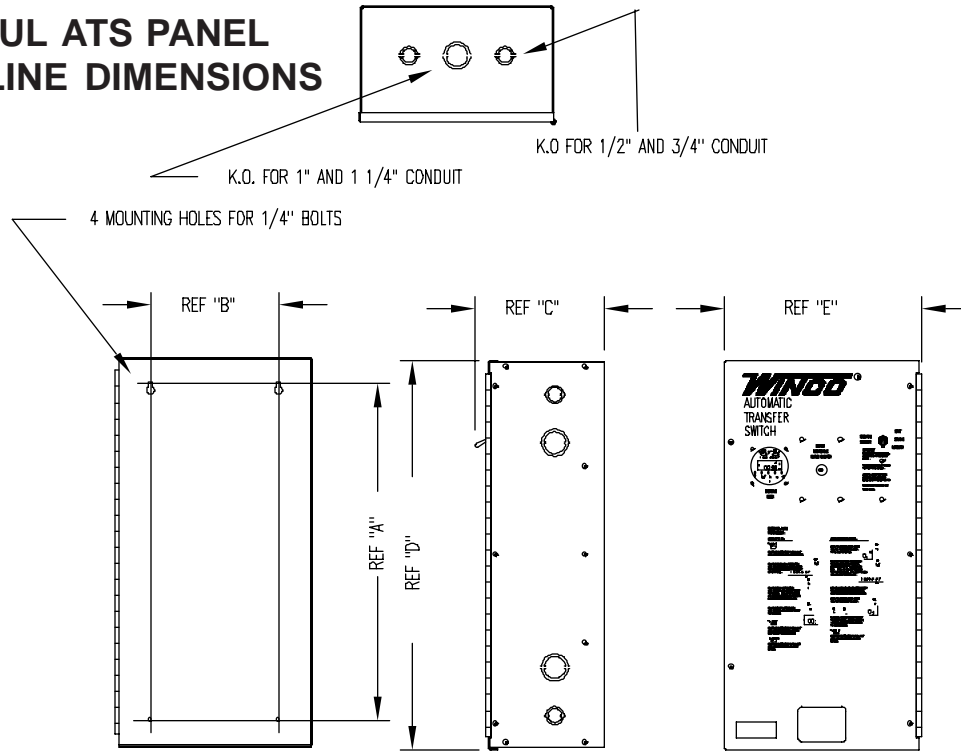


**110/60ATS-3/D  
230/150ATS-3/D  
NON-UL ATS SCHEMATIC**

**LEGEND**

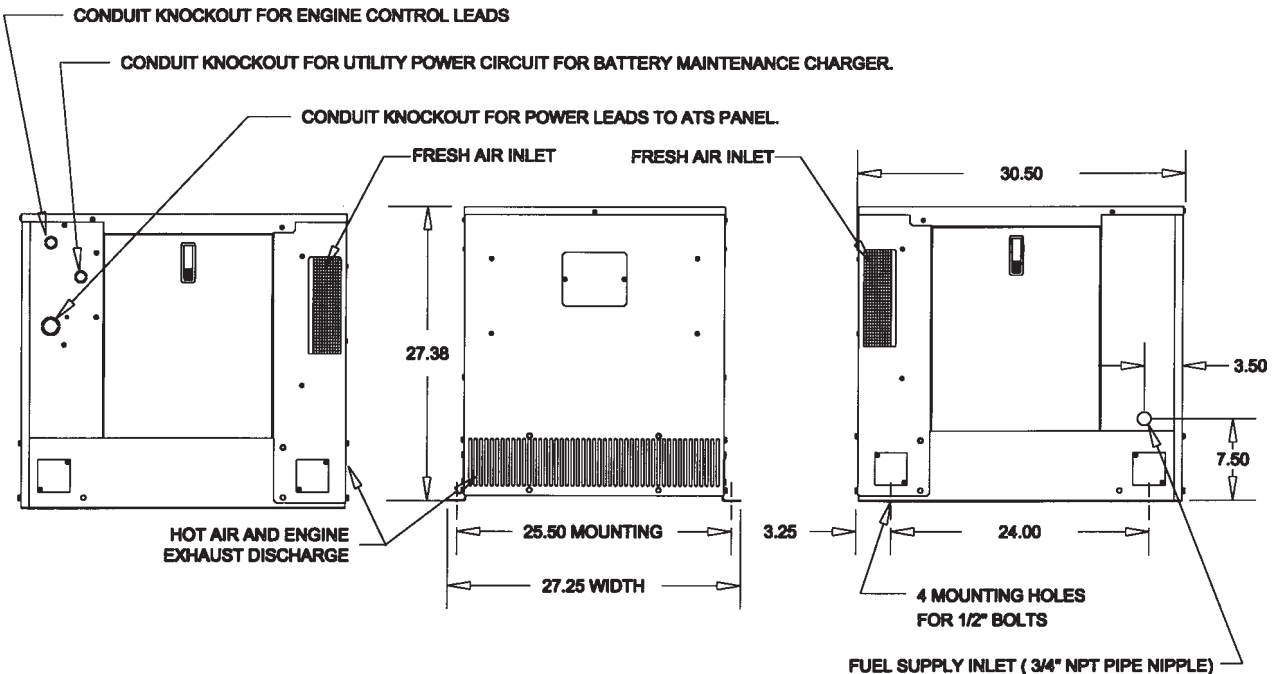
LTS	Line Side Contactor	GTS/AUX	Generator Side Auxiliary
GTS	Generator Side Contactor	LTS/AUX	Line Side Auxiliary
SSR	Start/Stop Relay	UVR	Under Voltage Relay
EC	Exerciser Clock	SSS	Start/Stop Switch
	Indicates Wire Number		

# NON-UL ATS PANEL OUTLINE DIMENSIONS



ATS SIZE	REF A	REF B	REF C	REF D	REF E
110/60 ATS	17.00"	8.00"	8.10"	20.00"	12.375"
230/150 ATS	22.90"	14.00"	10.63"	28.00"	18.375"
400/320 ATS	28.00"	16.00"	12.68"	36.00"	23.875"

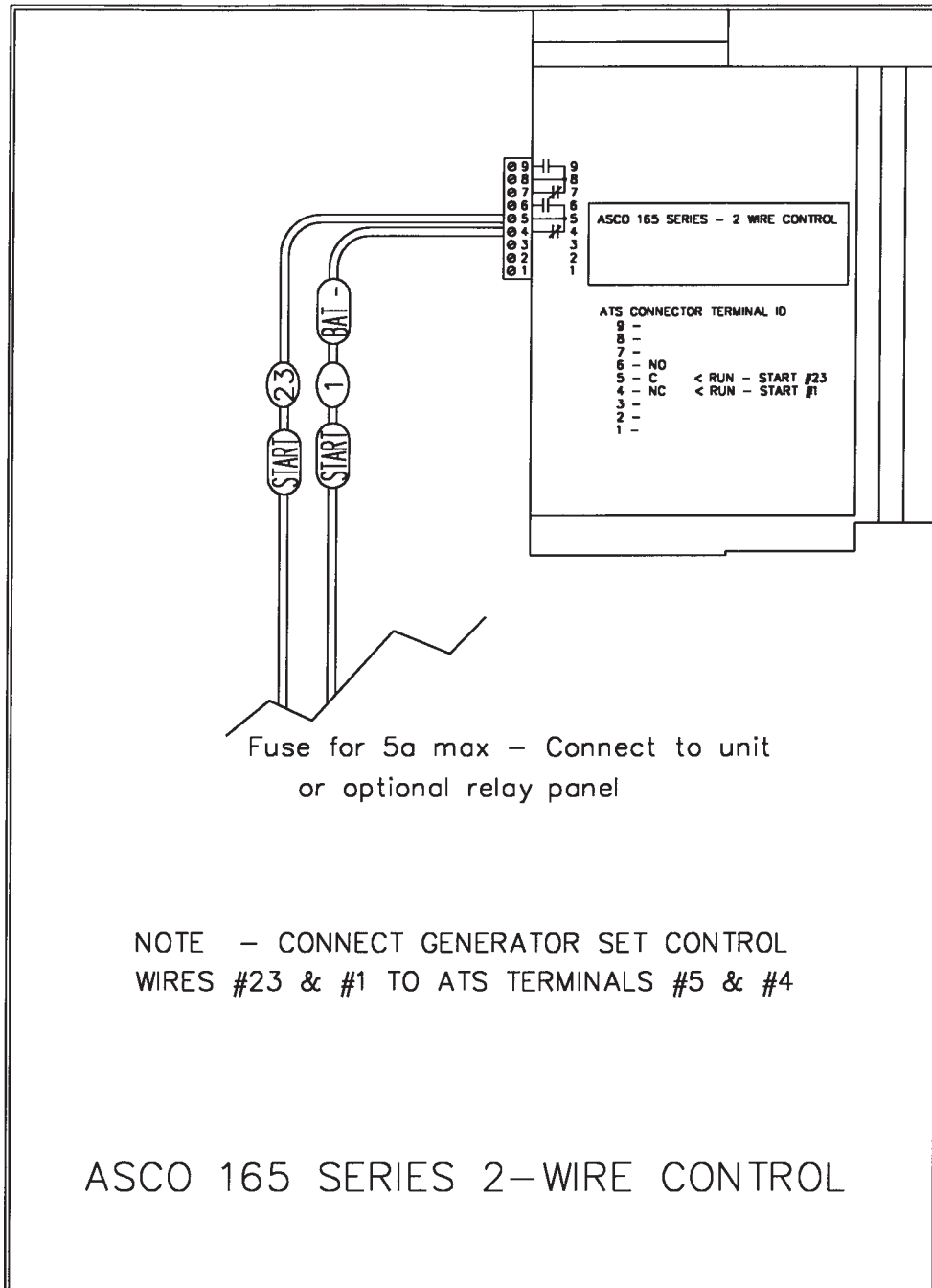
# GENERATOR LAYOUT





# WINCO UL ATS

Complete installation instructions for WINCO UL Automatic Transfer Switches are contained in the operator manual with each switch. Read the complete instructions before installing.



### CUSTOMER DC CONNECTION POINT

All control wires (18-12 AWG) must be torqued to 19 in-lbs.

# **WINCO**®

## I N C O R P O R A T E D

WINCO, Incorporated warrants to the original purchaser for 12 months that goods manufactured or supplied by it will be free from defects in workmanship and material, provided such goods are installed, operated and maintained in accordance with Winco written instructions.

WINCO's sole liability, and Purchaser's sole remedy for a failure under this warranty, shall be limited to the repair of the product. At WINCO's option, material found to be defective in material or workmanship under normal use and service will be repaired or replaced. For warranty service, return the product within 12 months from the date of purchase, transportation charges prepaid, to your nearest WINCO Authorized Service Center or to WINCO, Inc. at Le Center Minnesota.

THERE IS NO OTHER EXPRESS WARRANTY.

To the extent permitted by law, any and all warranties, including those of merchantability and fitness for a particular purpose, are limited to 12 months from date of purchase. In no event is WINCO liable for incidental or consequential damages.

Note: Some states do not allow limitation on the duration of implied warranty and some states do not allow the exclusion or limitation of incidental or consequential damages, so the above limitations may not apply in every instance. This warranty gives you specific legal rights which may vary from state to state.

WINCO reserves the right to change or improve its products without incurring any obligations to make such changes or improvement on products purchased previously.

### EXCLUSIONS:

WINCO does not warrant Engines, Batteries, or Other Component Parts that are warranted by their respective manufacturers.

WINCO does not warrant modifications or alterations which were not made by WINCO, Inc.

WINCO does not warrant products which have been subjected to misuse and/or negligence or have been involved in an accident.

**WINCO**®  
I N C O R P O R A T E D

225 SOUTH CORDOVA AVE  
LE CENTER MN 56057  
Phone: 507-357-6831

# MAINTENANCE LOG

DATE	ITEM	WORK PERFORMED

**P/N 60706-164-4008-20**

***WINCO INC***<sup>®</sup>  
*A Division of **DTI** Dyna Technology Inc*  
225 SOUTH CORDOVA AVE  
LE CENTER MN 56057  
Phone: 507-357-6831  
[www.wincogen.com](http://www.wincogen.com)