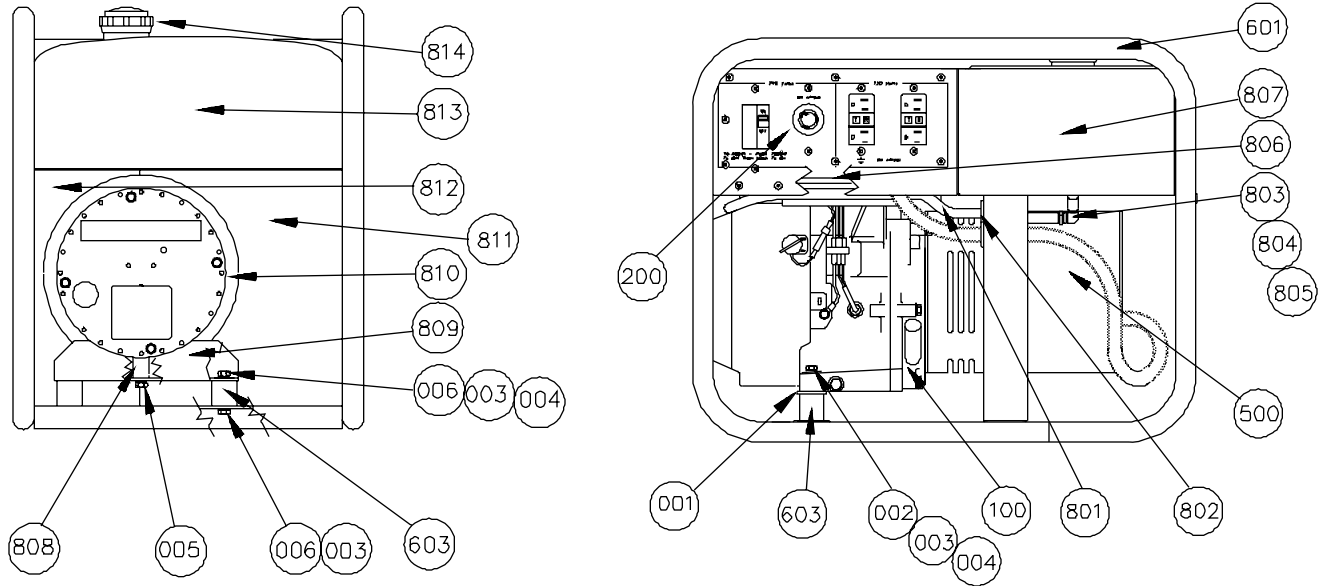


ADVANCE POWER

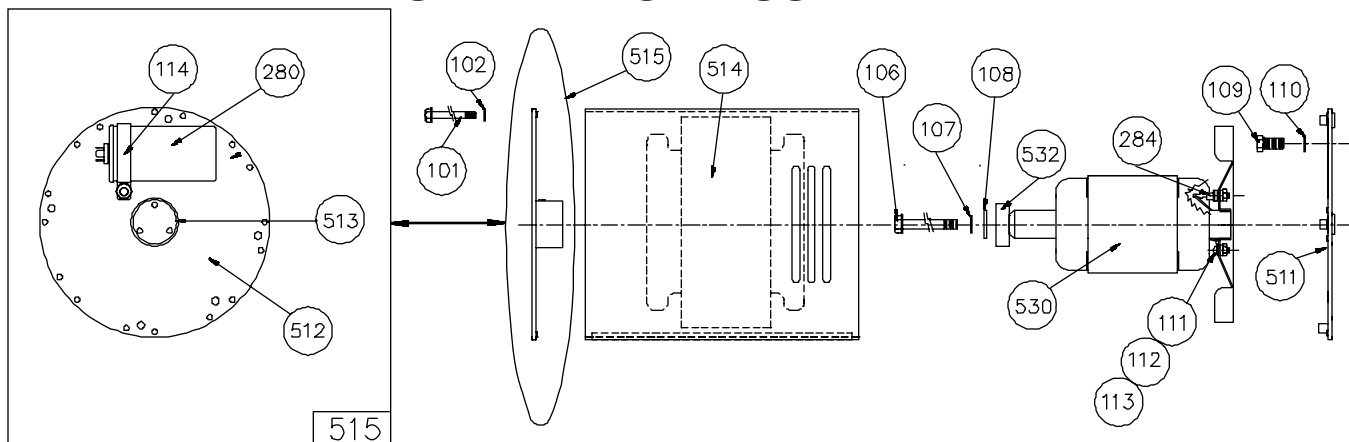
AP5000H PARTS LIST



COMPLETE UNIT ASSEMBLY

REF#	PART NUMBER	DESCRIPTION	QTY
001	23760-001	5/16 Special Flatwasher	2
002	468-000	5/16-18 x 1.5 Hex HD Bolt	2
003	480-000	5/16 Lockwasher	8
004	526-000	5/16 Flatwasher	3
005	9416-000	5/16-18 x 1.75 Hex HD Bolt	1
006	467-000	5/16-18 x .75 Hex HD Bolt	6
100	15542-000	Honda Engine (GX270VA)	1
200	63206-003	Receptacle Panel	1
500	15359-027	Generator Assembly (Ref. Only)	
601	63073-001	Cradle Assembly	1
603	64062-000	Shockmount	4
801	40078-000	Fuel Line 22 In.	1
802	40730-000	Grommet	1
803	56879-000	Elbow	1
804	81018-008	Fuel Tank Clamp	1
805	62999-001	Fuel Line Clamp	2
806	15679-003	Governor Cover Plate	1
807	15462-005	Fuel Tank Support Tray	1
808	62825-008	Tubular Split Spacer	1
809	15545-003	Generator Support Bracket	1
810	15287-000	Air Seal 31 In.	1
811	15223-005	Left Side Fuel Tank Support	1
812	15222-005	Right Side Fuel Tank Support	1
813	64024-002	Fuel Tank	1
814	15482-000	Fuel Tank Cap	1
NI	15715-006	Decal Set (Ref. Only)	

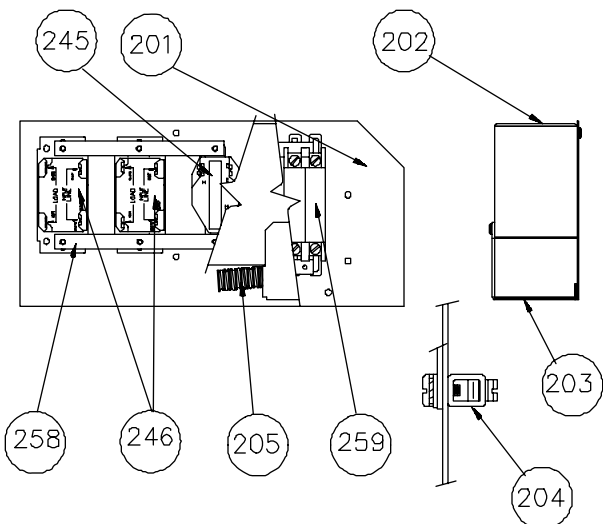
GENERATOR ASSEMBLY



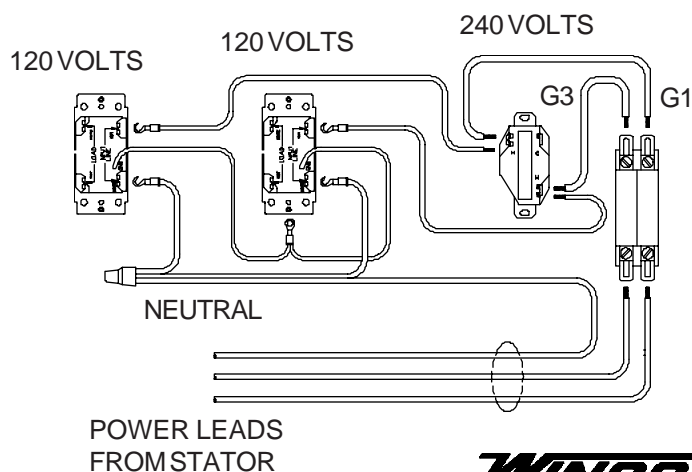
CONTROL BOX AND GENERATOR PARTS

REF#	PART NUMBER	DESCRIPTION	QTY	REF#	PART NUMBER	DESCRIPTION	QTY
101	15530-003	1/4-20 Special Bolt	4	205	62487-002	Wire Loom 2.5 Ft.	1
102	479-000	1/4 Lockwasher	4	245	56281-000	Receptacle (NEMA L6-20)	1
106	15529-001	5/16-24 Special Bolt	1	246	15147-002	GFCI Receptacle (NEMA	2
107	480-000	Lockwasher	1	258	64045-006	Mounting Strap	2
108	23558-000	5/16 Special Washer	1	259	57030-001	Circuit Breaker (20 Amp)	1
109	464-000	3/8-16 x .75 Hex Hd Bolt	4	280	15051-000	Capacitor, 40MFDs, 370 Volt	1
110	481-000	3/8 Lockwasher	4	284	15047-001	Diode	1
111	599-000	#10-32 x .375 Screw	1	511	15367-007	Engine End Bracket	1
112	484-000	#10 Lockwasher	1	512	15391-017	Bearing Brkt Assembly (Bare)	1
113	6372-000	10-32 Nut	1	513	15122-000	Tolerance Ring	1
114	15374-002	Capacitor Strap	1	514	15359-436	Stator Assembly Complete	1
201	61817-003	Front Panel Bare	1	515	15661-002	Bearing Brkt Assy Complete	1
202	61818-001	Receptacle Box Cover	1	530	15359-421	Rotor Assembly Complete	1
203	61818-003	Circuit Breaker Box Cover	1	532	55223-000	Bearing	1
204	64211-000	Ground Lug	1				

RECEPTACLE PANEL



RECEPTACLE PANEL WIRING DIAGRAM



WINGO
INCORPORATED
225 SOUTH CORDOVA
LE CENTER, MN 56057
PHONE # 612-357-6831