

WINCO INC[®]

*A Division of **DTE** Dyna Technology Inc*

ILLUSTRATED PARTS LIST

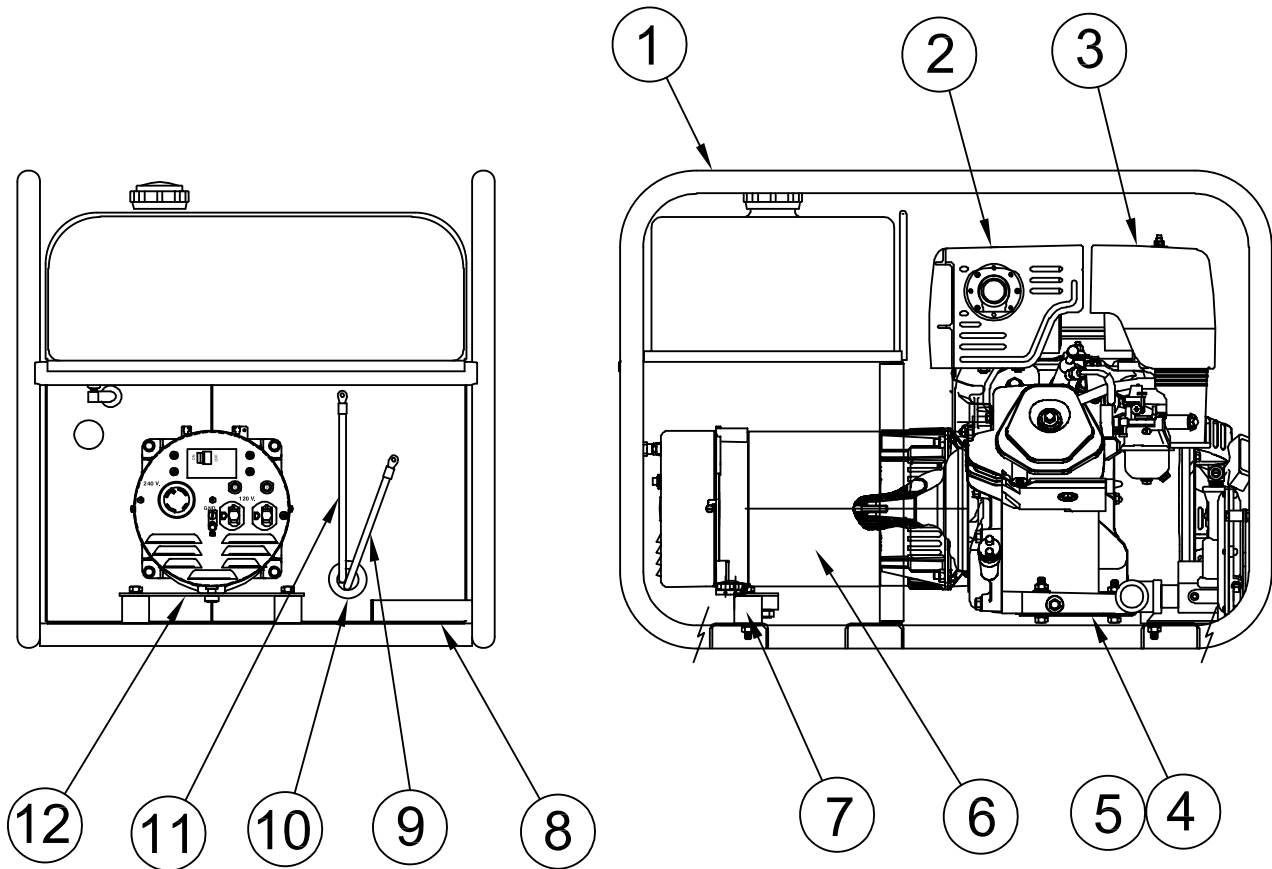
CSA HPS6000HE/H (49 STATE)



WINCO INC[®]
*A Division of **DTE** Dyna Technology Inc*

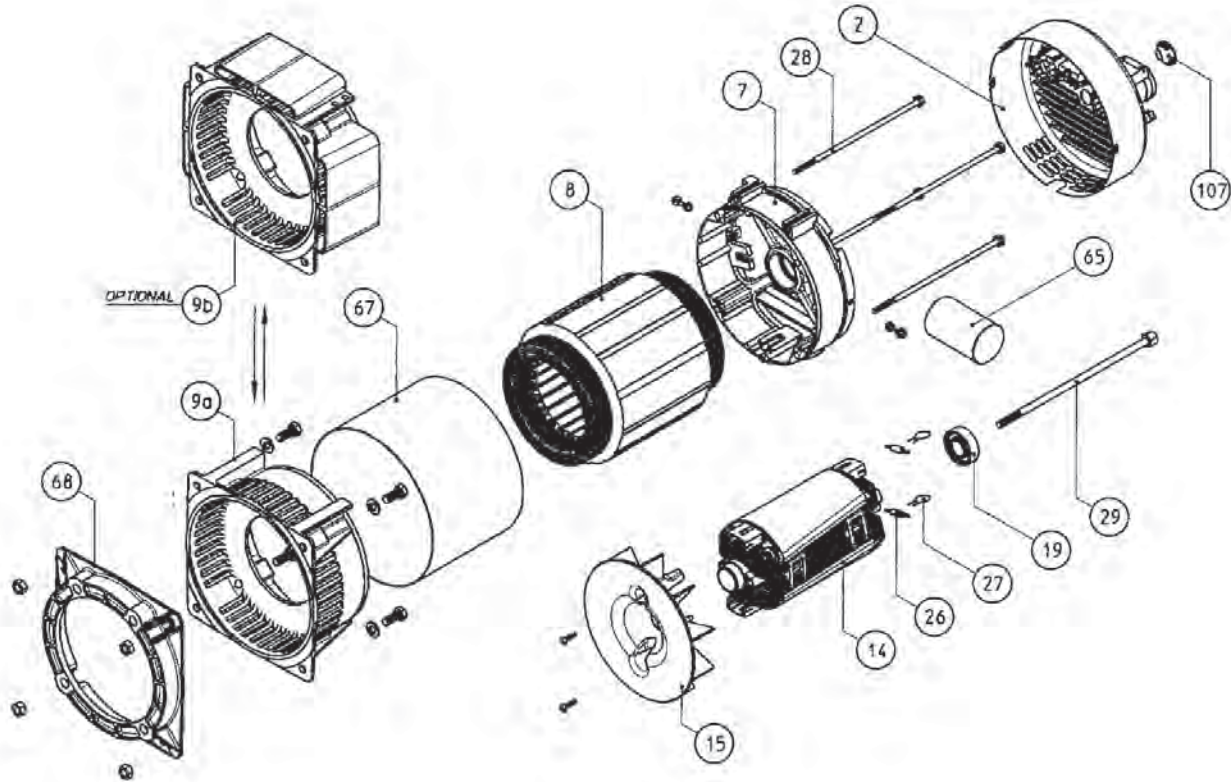
225 S. CORDOVA AVE.
LECENTER, MN 56057
507-357-6821
SERVICE DEPT.
507-357-6831

COMPLETE UNIT ASSEMBLY



REF #	PART NUMBER	QTY	DESCRIPTION
1	63073-011	1	Cradle
2	15428-000	1	Engine, Honda GX340RT1VWE2
3	17210-ZE3-010	1*	Air Filter
	17218-ZE3-000	1*	Pre Filter
4	15929-001	1	Right Side Adapter Bracket
5	15929-002	1	Left Side Adapter Bracket
6	16346-006	1	Generator, Mecc Alte Spa S16W-130/A
7	64062-000	4	Shockmount
8	15676-001	1	Battery Tray
9	15767-006	1	Positive (+) Battery Cable
10	62486-000	1	Grommet
11	15767-007	1	Negative (-) Battery Cable
12	16335-000	1	Generator Support
NI	BPR5ES	1**	NGK Spark Plug
NI	15807-000	1	Battery Hold Down Kit
*	Honda Part #		
**	NGK Part #		
NI	Not Illustrated		

GENERATOR ASSEMBLY



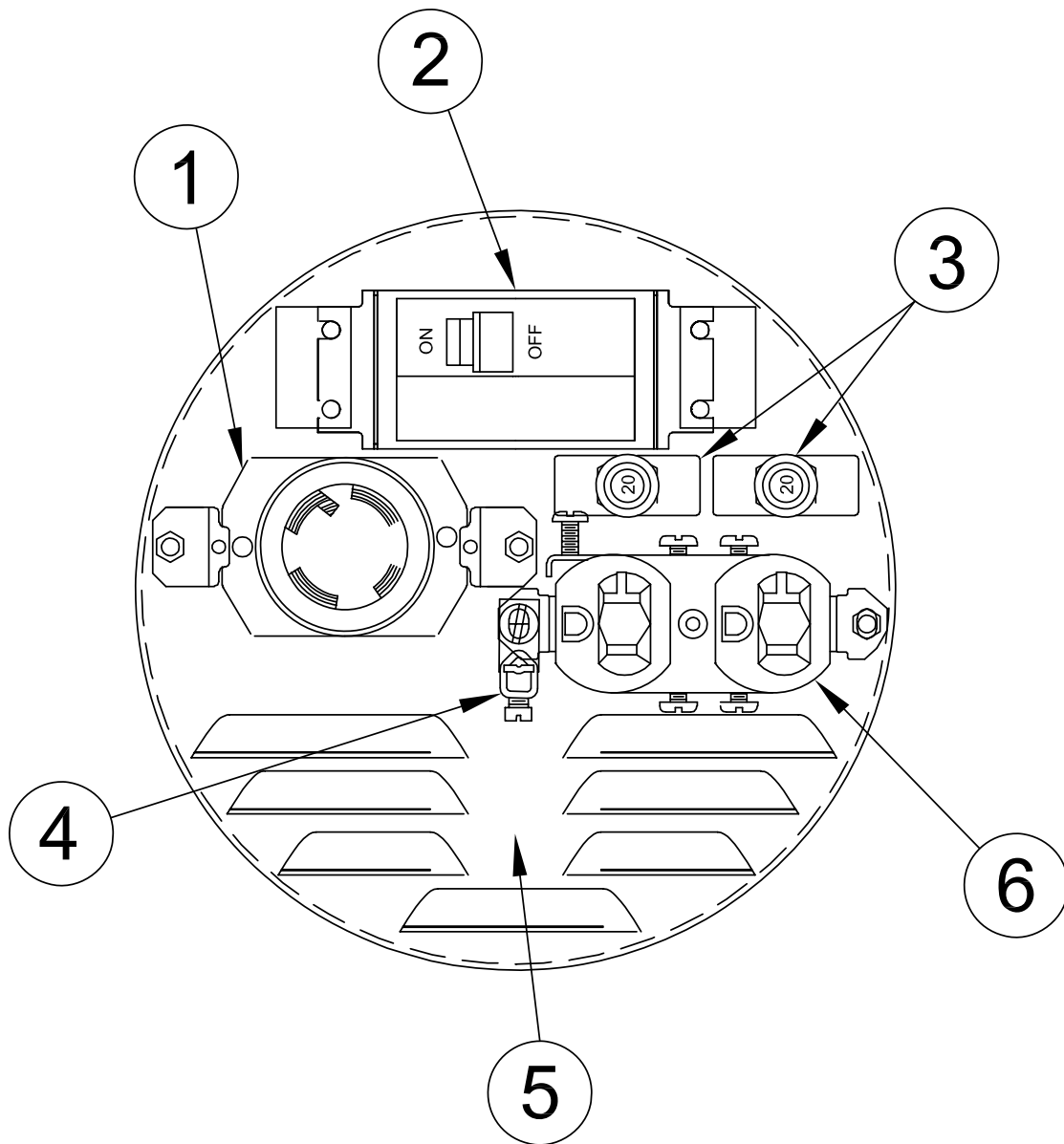
REF #	PART NUMBER	QTY	DESCRIPTION
19	55223-000	1	Bearing
26	16346-105	2	Diode
27	16346-106	2	Varistor
65	16346-612	1	Capacitor

WINCO INC. SELLS THESE FOUR INDIVIDUAL PARTS, OTHERWISE WINCO INC. SELLS THE COMPLETE GENERATOR END. IF INDIVIDUAL PARTS ARE REQUIRED THEY CAN BE OBTAINED THROUGH: MAGIL CORP. (847) 550-0530 sales@magilcorp.com.

RESISTANCE VALUES:

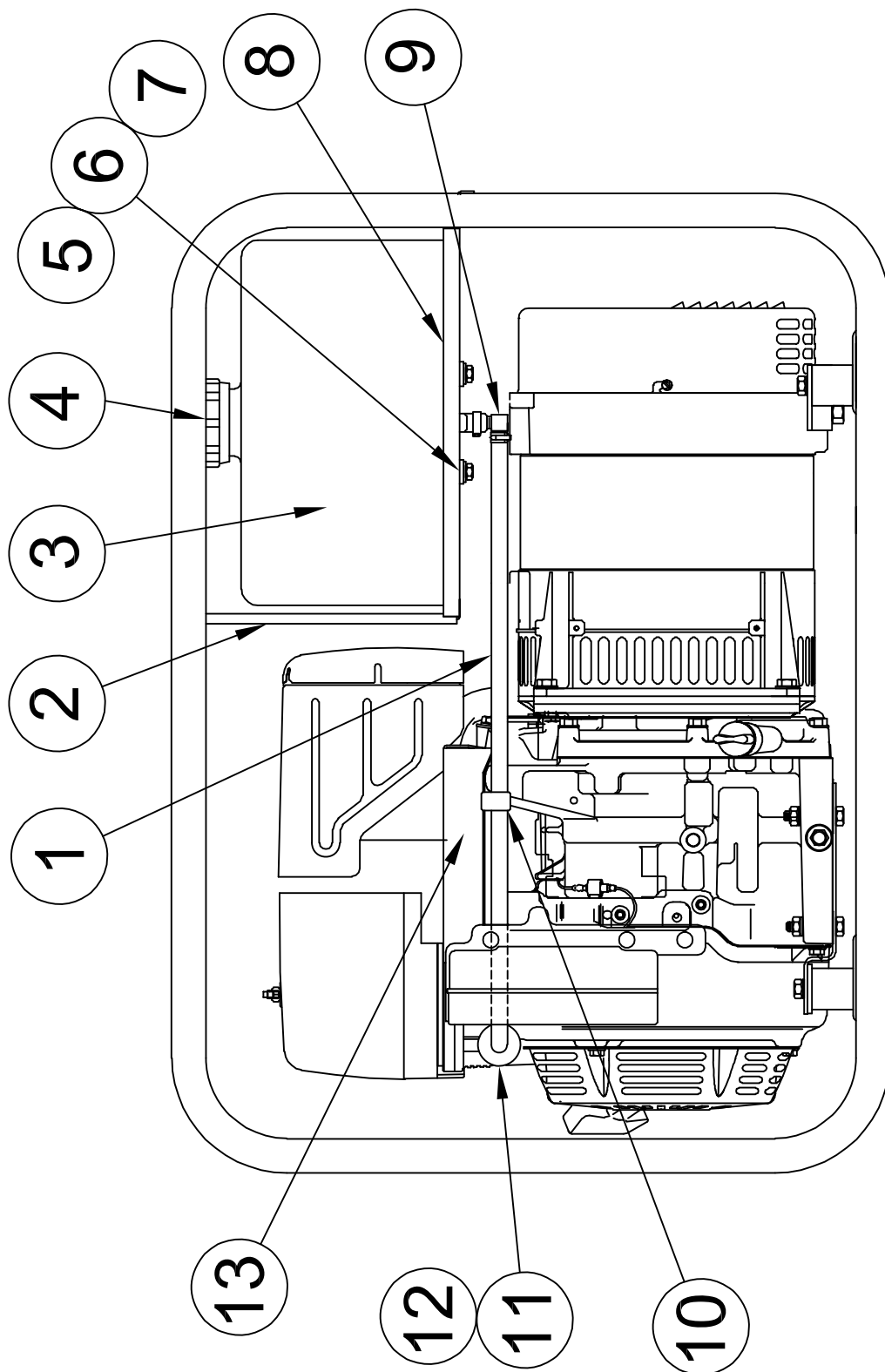
STATOR: 0.360 Ohms
ROTOR: 3.95 Ohms
EXCITATION: 2.446 Ohms

END COVER ASSEMBLY



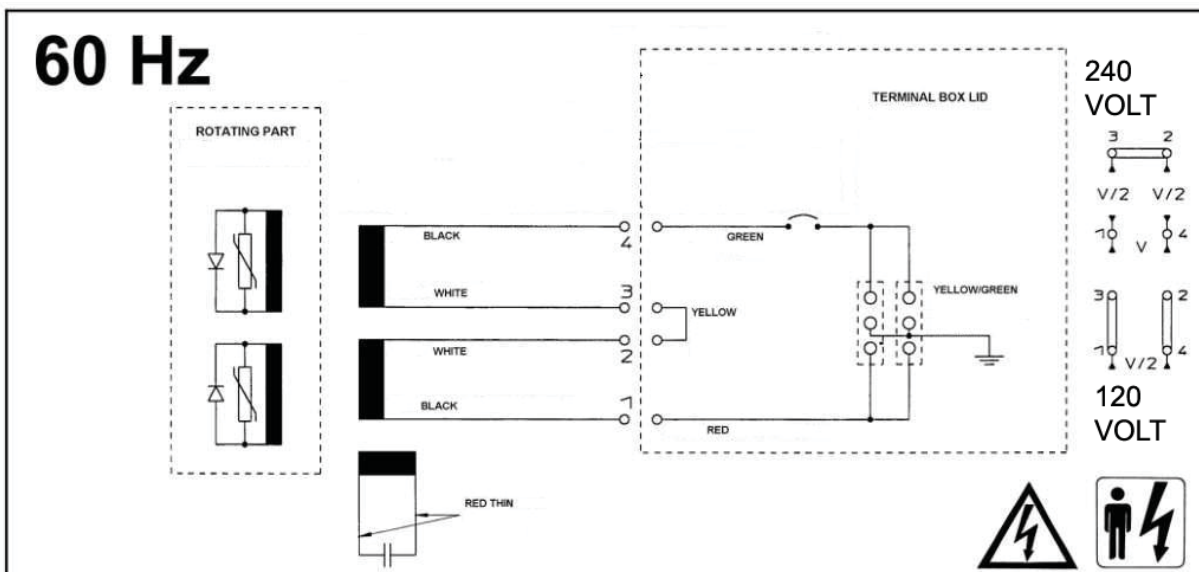
REF #	PART NUMBER	QTY	DESCRIPTION
1	97360-000	1	NEMA L14-30R Receptacle
2	57030-009	1	25 Amp Circuit Breaker
3	91286-001	2	20 Amp Circuit Breaker
4	48042-001	1	Ground Lug
5	16346-014	1	End Cover
6	50766-000	1	Duplex Receptacle

GASOLINE FUEL SYSTEM ASSEMBLY

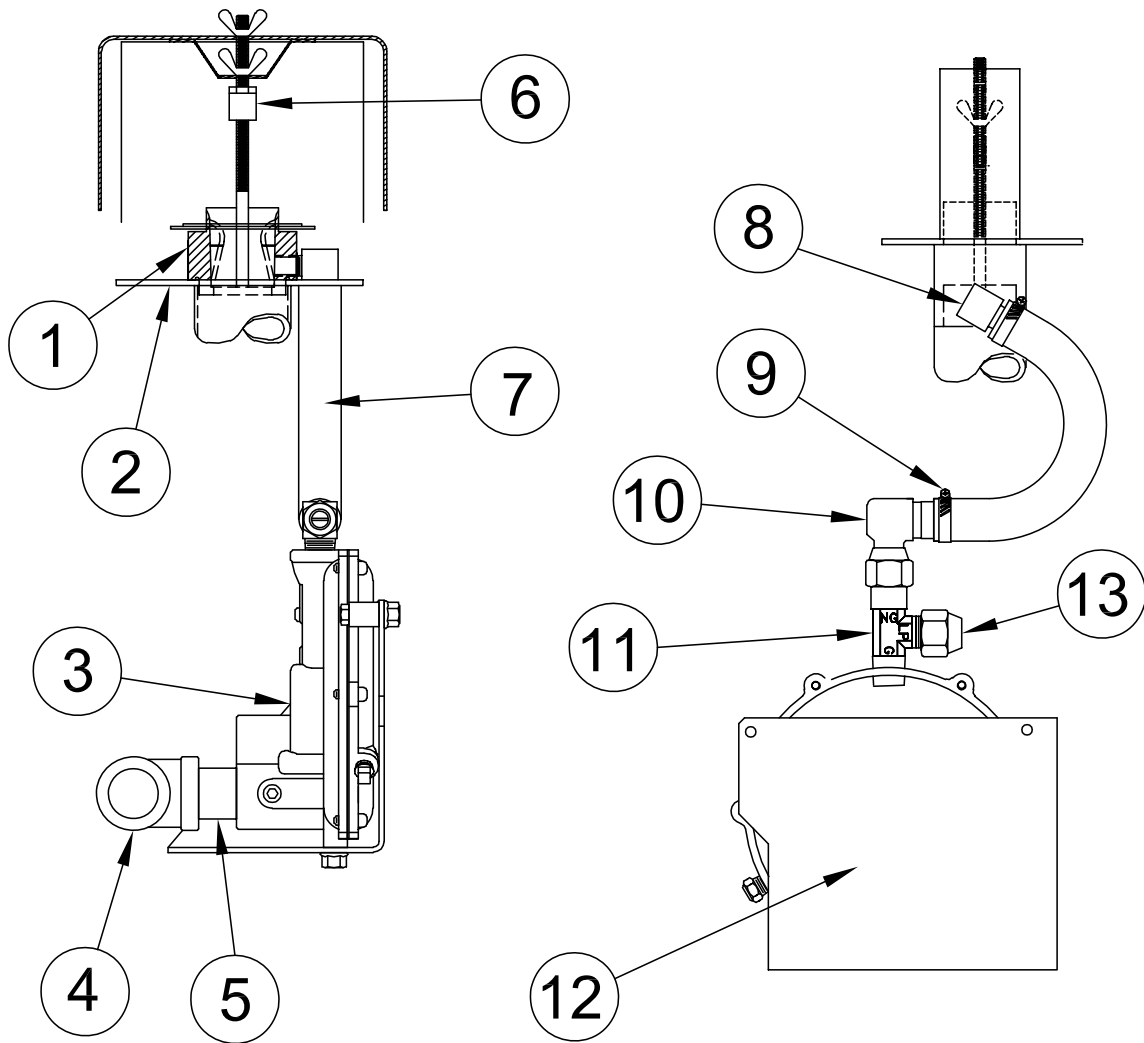


REF #	PART NUMBER	QTY	DESCRIPTION
1	62624-004	1	Hose & Sleeve Assembly
Hose and Sleeve Assembly consists of the following parts:			
A	40078-000	1.75 FT	¼" Hose
B	62625-006	1.5 FT	½" Heat Sleeve
C	62999-001	2	.50 Spring Hose Clamp
D	81018-009	1	Hose Clamp
2	58684-007	1	30" Edge Trim
3	64024-000	1	4.5 Gallon Fuel Tank
4	15482-000	1	Fuel Cap
5	466-000	2	1/4"-20 X .75" Bolt
6	512-000	2	¼" Flat Washer
7	16133-000	2	Leather Washer
8	15462-022	1	Fuel Tank Tray
9	56879-000	1	90° Elbow
10	97391-003	2	Cushioned Clamp
11	62496-005	1	Fuel Filter
12	62999-005	1	.41 Spring Hose Clamp
13	15679-002	1	Governor Cover Plate
NI	62486-000	1	Grommet
NI	15222-024	1	Right Fuel Tank Support
NI	15223-021	1	Left Fuel Tank Support
NI	Not Illustrated		

GENERATOR END SCHEMATIC



VAPOR FUEL SYSTEM ASSEMBLY



REF #	PART NUMBER	QTY	DESCRIPTION
1	91345-001	1	Retainer
2	63581-004	1	Carburetor Adapter
3	55559-002	1	Demand Regulator
4	50244-000	1	3/4" NPT 90° Pipe Elbow
5	22626-000	1	3/4" Pipe Nipple
6	63585-000	1	Threaded Rod Extension
7	23048-018	1	12.75" Hose
8	92382-003	1	90° Elbow 1/4" NPT X 1/2" Hose
9	81018-008	2	Hose Clamp
10	99968-000	1	45° Flare Fitting - 90° Swivel
11	99874-005	1	NG & LP Tee Fitting
12	16336-001	1	Regulator Support
13	350892-3	1	45° Flare Fitting

WIRING DIAGRAM

