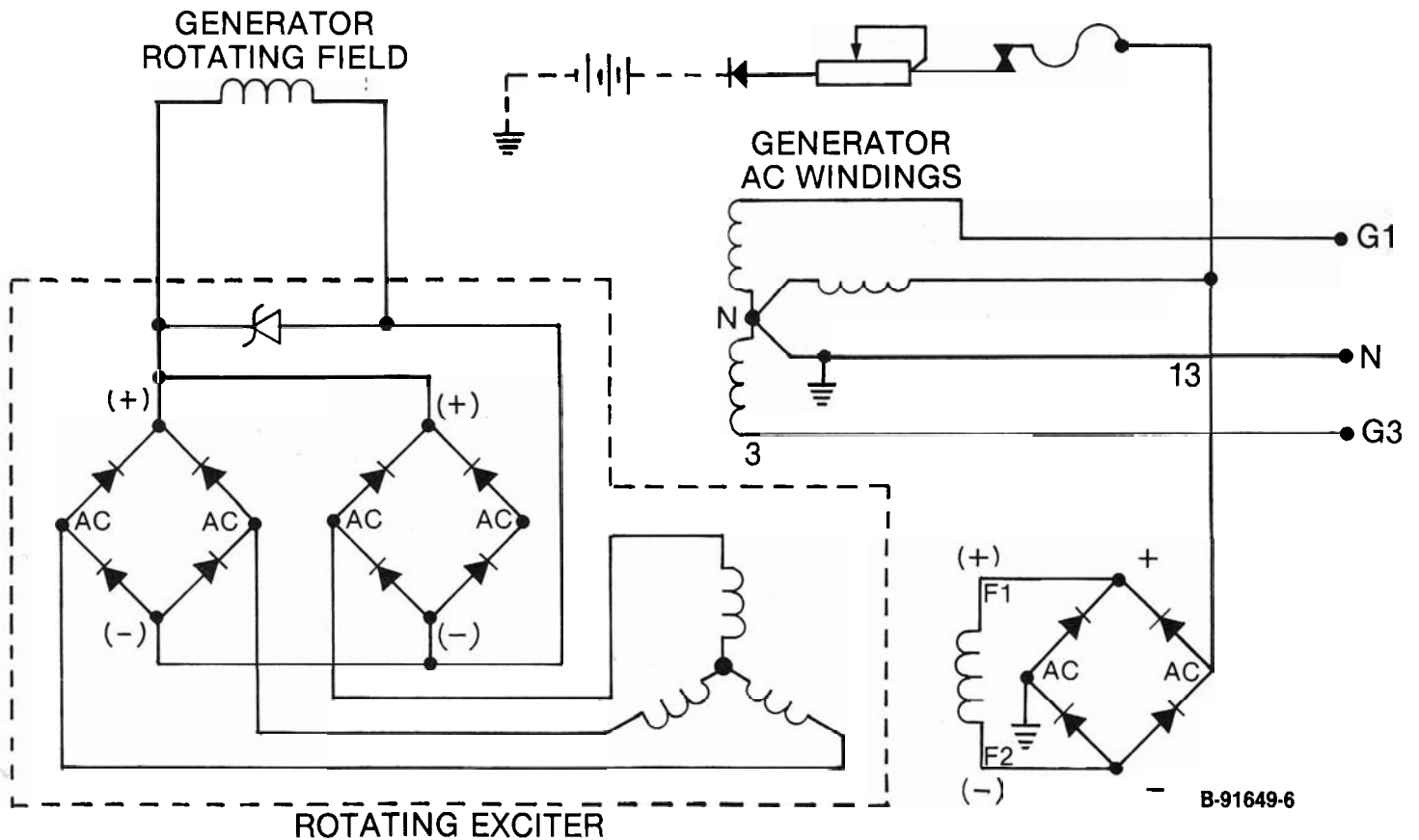


ILLUSTRATED PARTS LIST

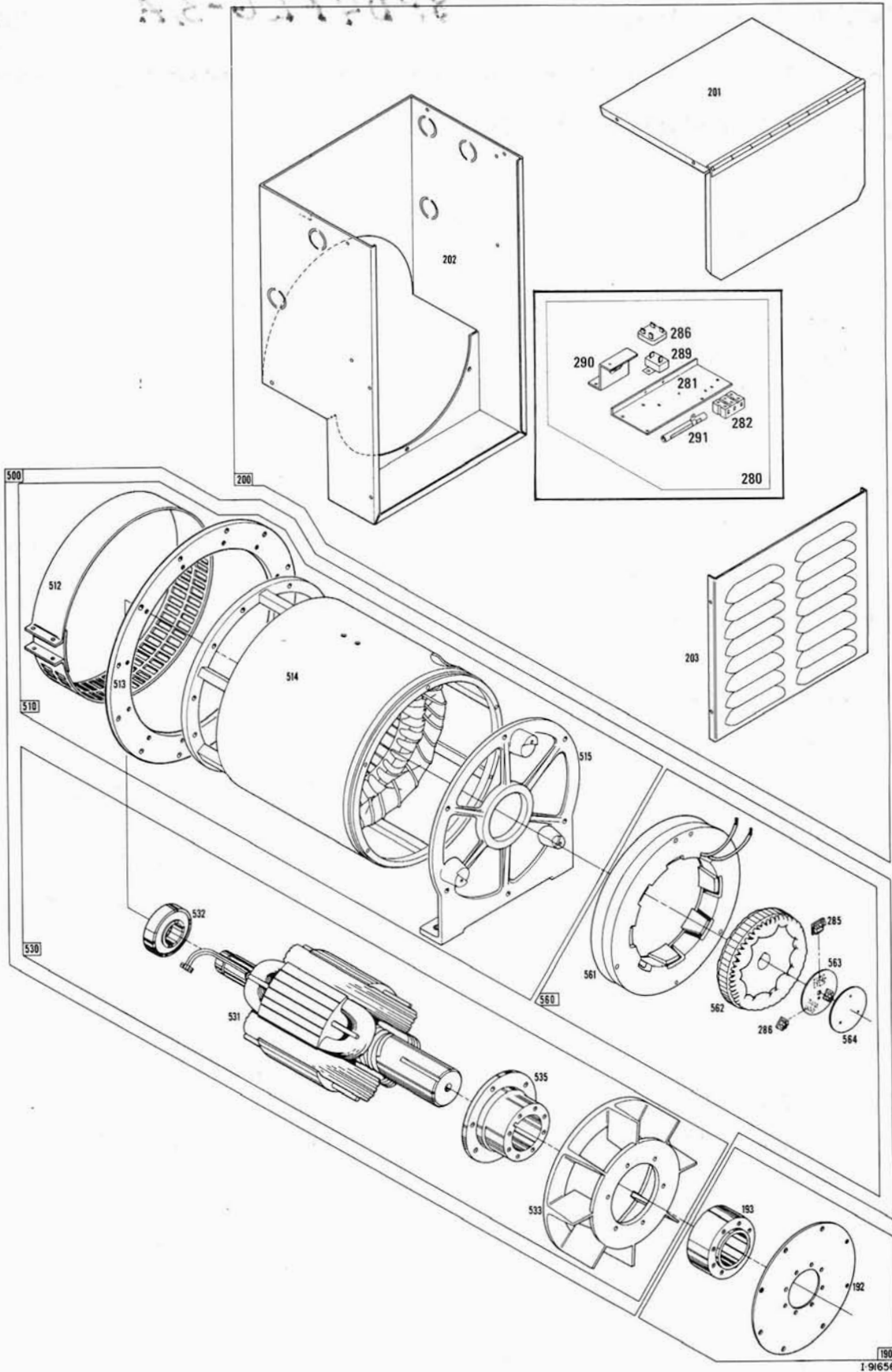


SCHEMATIC DIAGRAM

This IPL contains wiring, illustration, parts list, ordering information and technical data to perform routine maintenance on this generator. Consult factory with model no., serial no. and test data for further assistance.

DYNA

42-017400



MODEL CSA8PL4G-3/A

REF. NO.	DESCRIPTION	QTY.	PART NO.	REF. NO.	DESCRIPTION	QTY.	PART NO.
190	Adapter (Eng.)			500	Generator Ass'y.		91675-13
191	Drive Disc	2	As req'd.	510	Stator Ass'y.	1	96676-14
	C-106 Flywheel		91523	512	Cover (Impeller)		
	C-107 Flywheel		91633	513	Adapter Ring	1	As req'd.
	C-108 Flywheel		91564		SAE 4 to SAE 3		91567
	C-110 Flywheel		91565		Special—Lister ST3		91583
	SP-111 Flywheel		91566		SAE 4 to SAE 5		91929
192	Drive Disc Spacer	1	As req'd.	514	Stator	1	91527-10
	Used with SAE 4 C-108		91524	515	End Bracket	1	91517
	Use with SAE 4 C-110		91524-1				
	Used with SAE 3 C-108		91524-2	530	Rotor Ass'y.	1	91528-3
	Used with SAE 3 C-110		91524-3	531	Rotor	1	91414-2
	Used with SAE 3 SP-111		91524-4	532	Bearing	1	91111
	Used with SAE 5 C-107		91524-5	533	Drive Hub	1	91516
				535	Impeller	1	91515
200	Control Panels	1					
201	Hinged Cover	1	91639	560	Exciter Ass'y.	1	
202	Welded Box Ass'y.	1	91642	561	Exciter Stator Ass'y.	1	91665-1
203	Louvered Cover	1	91645	562	Exciter Rotor	1	91442
280	Shelf Ass'y.	1	91937	563	Rotating Rectifier Ass'y.	1	91413
281	Mounting Plate	1	91941	564	Cover (Rotating Rectifier)	1	91411-1
282	Terminal Block	1	51795				
285	Surge Suppressor	1	91455				
286	Rectifier	3	91452				
289	Circuit Breaker	1	91940				
290	Rectifier Ass'y.	1	45930-2				
291	Variable Resistor	1	24865				

PARTS ORDERING INFORMATION REQUIRED



To fill your order for service parts, please advise the complete DYNA Generator model number and serial number, part number(s), and part description. Send all parts orders to Dyna Technology, Inc., 225 South Cordova Ave., Le Center, Mn 56057.

TECHNICAL DATA

GENERATOR SPECIFICATIONS:

KW—8; Volts—120/240; Amps.—33.3; PF—1.0; PH—1; Hz—60; RPM—1800

Normal Voltage:	No Load	Full Load
Stator Output	260 Volts A.C.	225 Volts A.C.

Residual Voltage:
55 Volts A.C. L to L; 27 Volts A.C. L to N

Resistance:
Exciter Field—F1-F2 2.9 ohms
Exciter Rotor—.35 ohms
Rotating Field—2.9 ohms
Stator Main—.29 ohms L to N

Separately Excited:
12 VDC to Exciter Field; F1 Positive-F2 Negative
Approximately 265 Volts L to L; 132 Volts L to N

BASIC TEST PROCEDURE:

Refer to illustration for component location by Reference Number.
Example: No output—Check rectifiers, Reference Number 286.

Reference Number 280 is shelf assembly; Reference Number 286, a rectifier, is mounted on shelf assembly.

Reference Number 563 is rotating rectifier assembly; there are two Reference Number 286 rectifiers mounted on rectifier assembly.

No Output:

- Check for loose or open connections.
- Check for residual voltage output, Reference Number 282.
- Check rectifiers, Reference Number 286.
- Check winding resistance, opens and grounds, Reference Numbers 514, 531, 561, and 562.
- Separately excite and check output.

Low Voltage—No Load:

- Check speed (1800 RPM nominal).
Check generator load.
- Check for loose connections.
- Check rectifiers, Reference Number 286.
- Check winding resistance, Reference Numbers 561, 562, 514 and 531.

Low Voltage—Full Load:

- Check speed (1800 RPM nominal)
- Check generator load.
- Check for loose connections.
- Check winding resistance, Reference Numbers 561, 562, 514 and 531.

DYNA

Division of
DYNA TECHNOLOGY, INC.
7850 Metro Parkway
Minneapolis, MN 55420
Phone (612) 853-8400
Telex 290753