

WINGCO INC[®]

*A Division of **DTE** Dyna Technology Inc*

ILLUSTRATED PARTS LIST

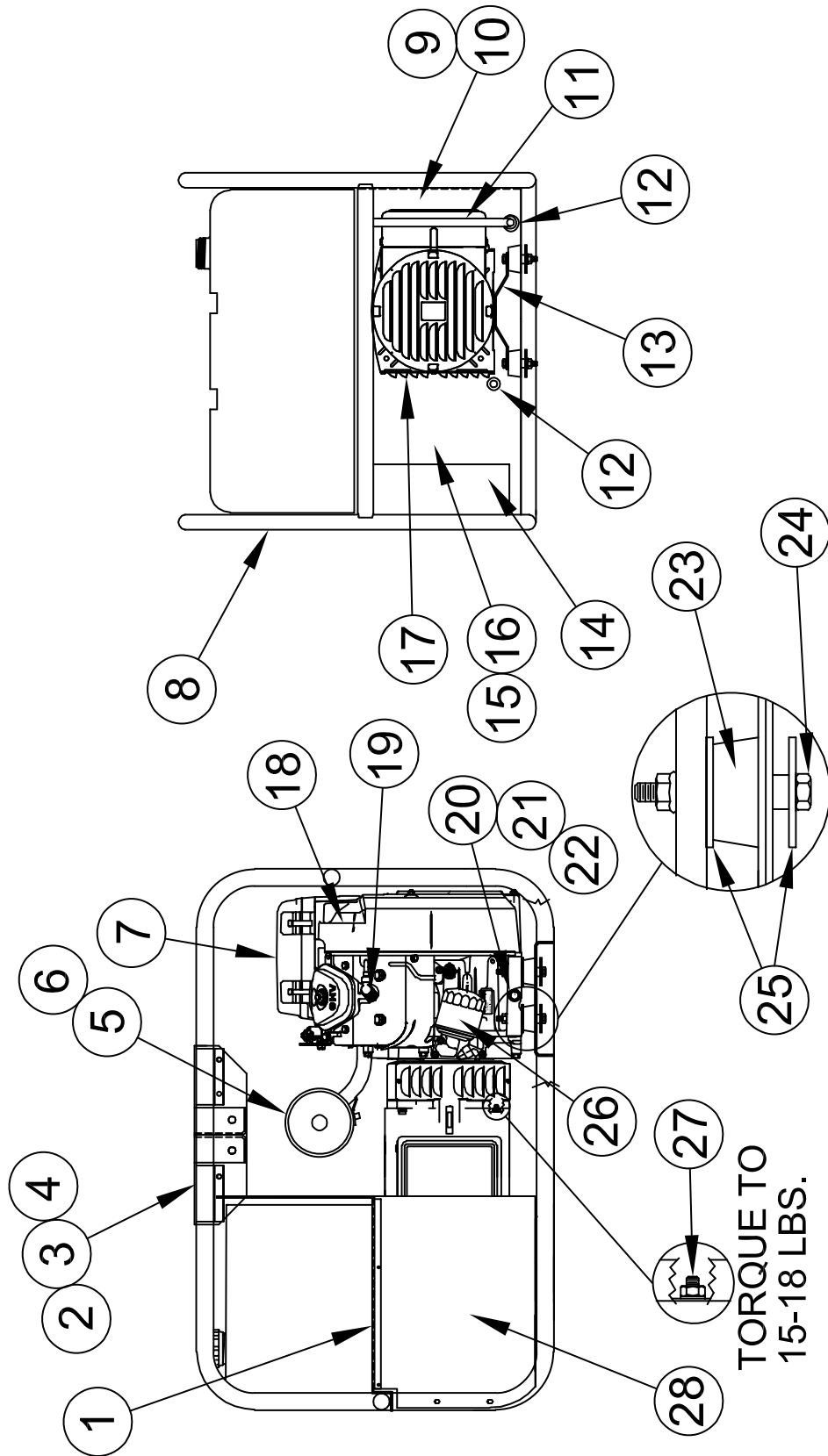
WC12000HE/H



WINGCO INC[®]
*A Division of **DTE** Dyna Technology Inc*

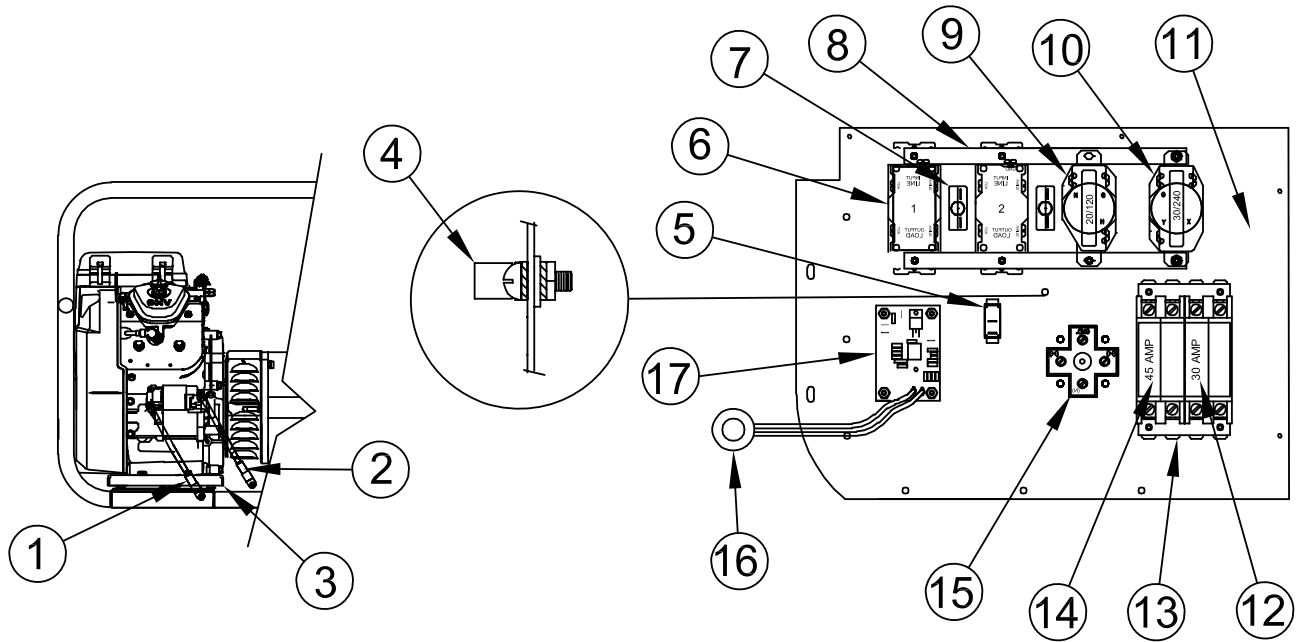
225 S. CORDOVA AVE.
LECENTER, MN 56057
507-357-6821
SERVICE DEPT.
507-357-6831

GENERATOR ASSEMBLY



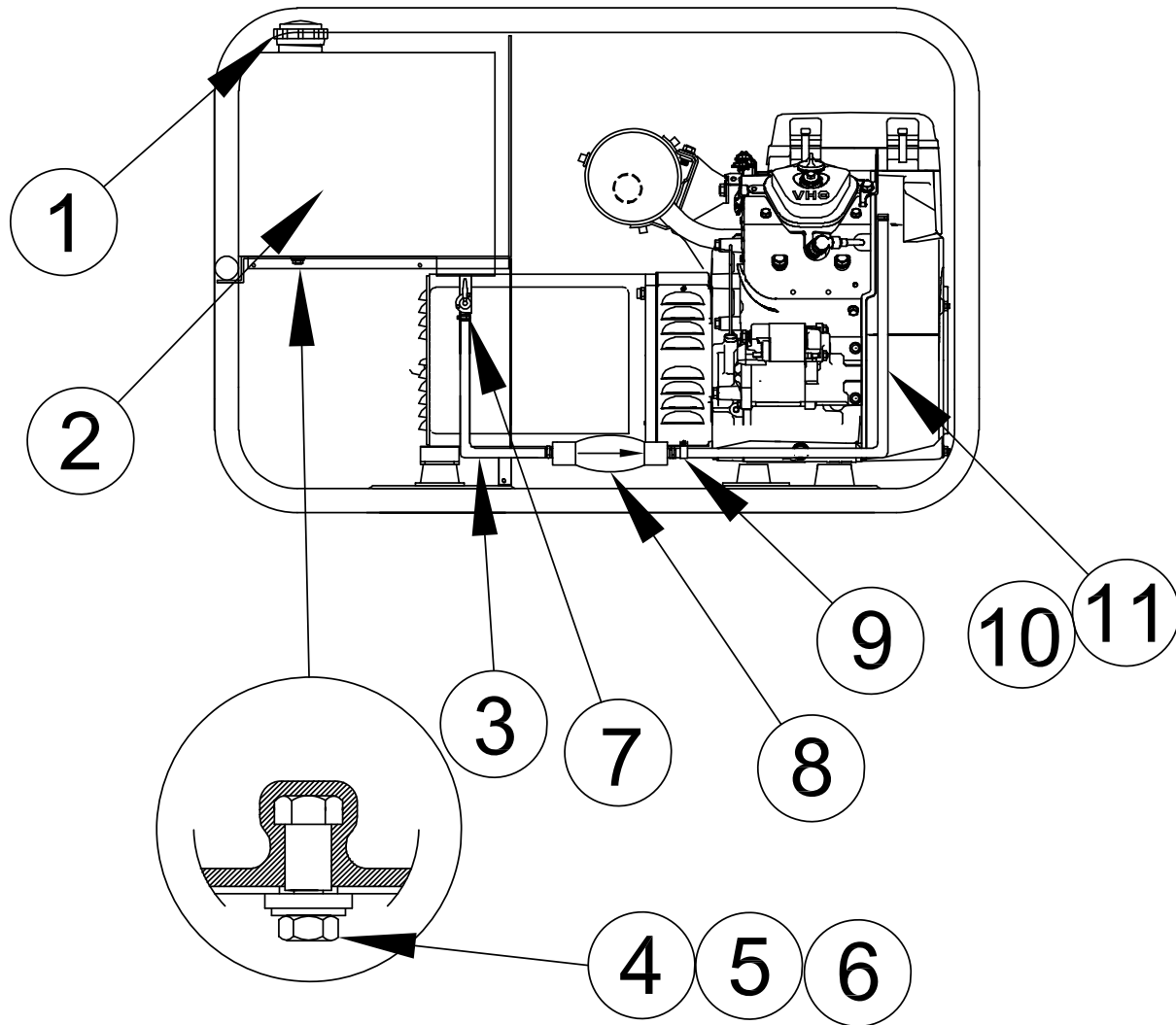
REF #	PART NUMBER	QTY	DESCRIPTION
1	15462-026	1	Fuel Tank Tray
2	300149-2	4	Cradle Lifting Support
3	300148-3	2	Lifting Eye
4	300147-3	2	Lifting Eye Support
5	16067-006	1	Muffler VHRM6
6	15769-000	1	Spark Arrestor
7	17210-Z6L-000	1*	Air Filter
8	63073-026	1	Cradle
9	15464-004	1	Generator Divider
10	15287-017	1	Air Seal 24"
11	40078-000	33"	Fuel Line
12	23917-000	2	Grommet
13	16335-004	1	Generator Support
14	300146-4	1	Rear Receptacle Box
15	15464-003	1	Generator Divider
16	15287-016	1	Air Seal 15.75"
17	351836-1	1	Generator, Mecc Alte Spa Model: S20FS-160/A
18	15959-007	1	Engine, Honda GX630RVXE2
19	ZFR5F	2**	NGK Spark Plug
20	300349-2	1	Oil Drain Adapter
21	16456-005	1	3" Pipe Nipple
22	21858-000	1	3/8" Pipe Cap
23	98807-000	6	Shockmount
24	91658-014	4	3/8"-16 X 3.5" Bolt
25	98806-000	10	Washer
26	15400-RTA-004	1*	Oil Filter
27	16446-000	4	M8 X 1.25" Nylok Hex Nut
28	98101-005	1	Side Panel
*	Honda Part #		
**	NGK Part #		

RECEPTACLE BOX ASSEMBLY



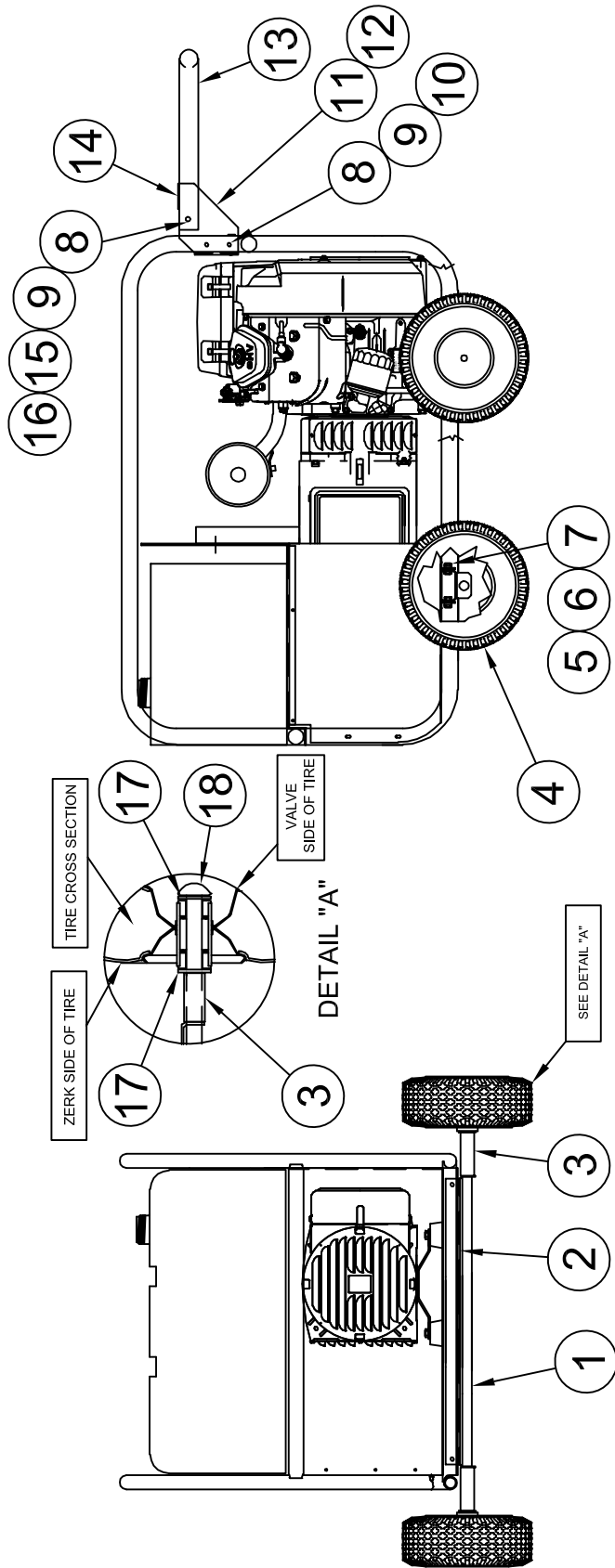
REF #	PART NUMBER	QTY	DESCRIPTION
1	15767-021	1	Negative (-) Battery Cable
2	15767-010	1	Positive (+) Battery Cable
3	15676-008	1	Battery Tray
4	48042-001	1	Ground Lug
5	64089-000	1	Switch
6	15147-001	2	20A, 125V, GFCI Receptacle
7	91286-001	2	20A Circuit Breaker
8	64045-001	2	Mounting Strap
9	56279-000	1	20A, 125V Twistlock Recpt.
10	57324-000	1	30A, 240V Twistlock Recpt.
11	99055-422	1	Front Panel, Recpt. Box
12	57030-002	1	30A 2-Pole Circuit Breaker
13	64045-009	2	Mounting Strap
14	57030-007	1	45A 2-Pole Circuit Breaker
15	300136	1	60A, 240V Receptacle
16	16385-000	1	Idle Control Transformer
17	300042-1	1	Idle Control Module
NI	300143	1	Battery Hold Down Kit
NI	Not Illustrated		

FUEL SYSTEM ASSEMBLY



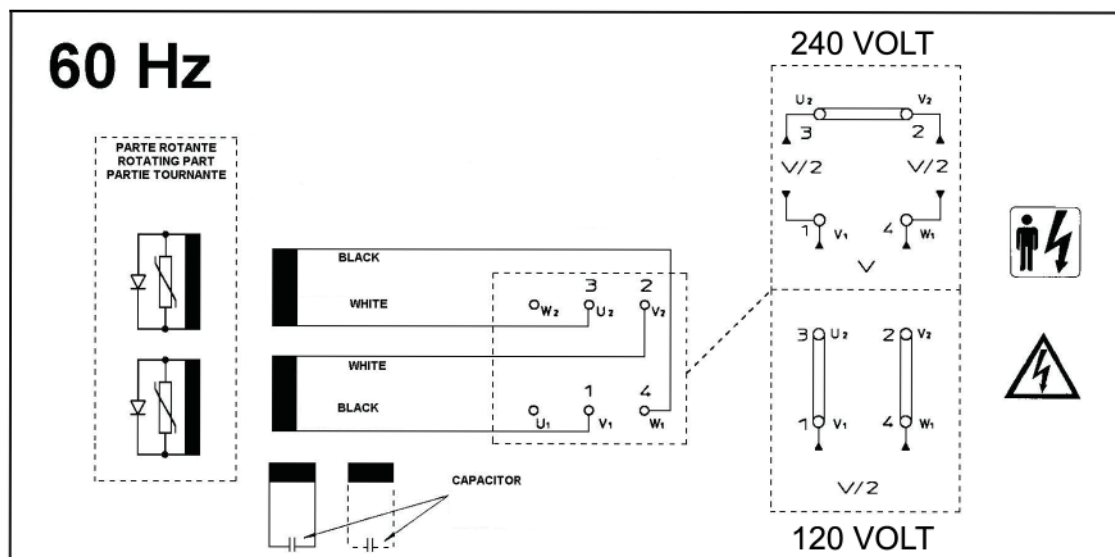
REF #	PART NUMBER	QTY	DESCRIPTION
1	62396-006	1	Fuel Cap
2	16316-001	1	Fuel Tank
3	40078-028	1	Fuel Line 13"
4	91658-011	4	3/8" - 16 X 3/4" Hex Head Bolt
5	20604-000	4	Flat Washer
6	16133-001	4	3/8" I.D. Leather Washer
7	63467-000	1	Shut - Off Valve
8	62391-000	1	Primer Bulb
9	48039-008	2	Hose Clamp
10	40078-008	1	Fuel Line 24"
11	62999-001	4	1/4" Hose Clamps

4-WHEEL DOLLY KIT ASSEMBLY

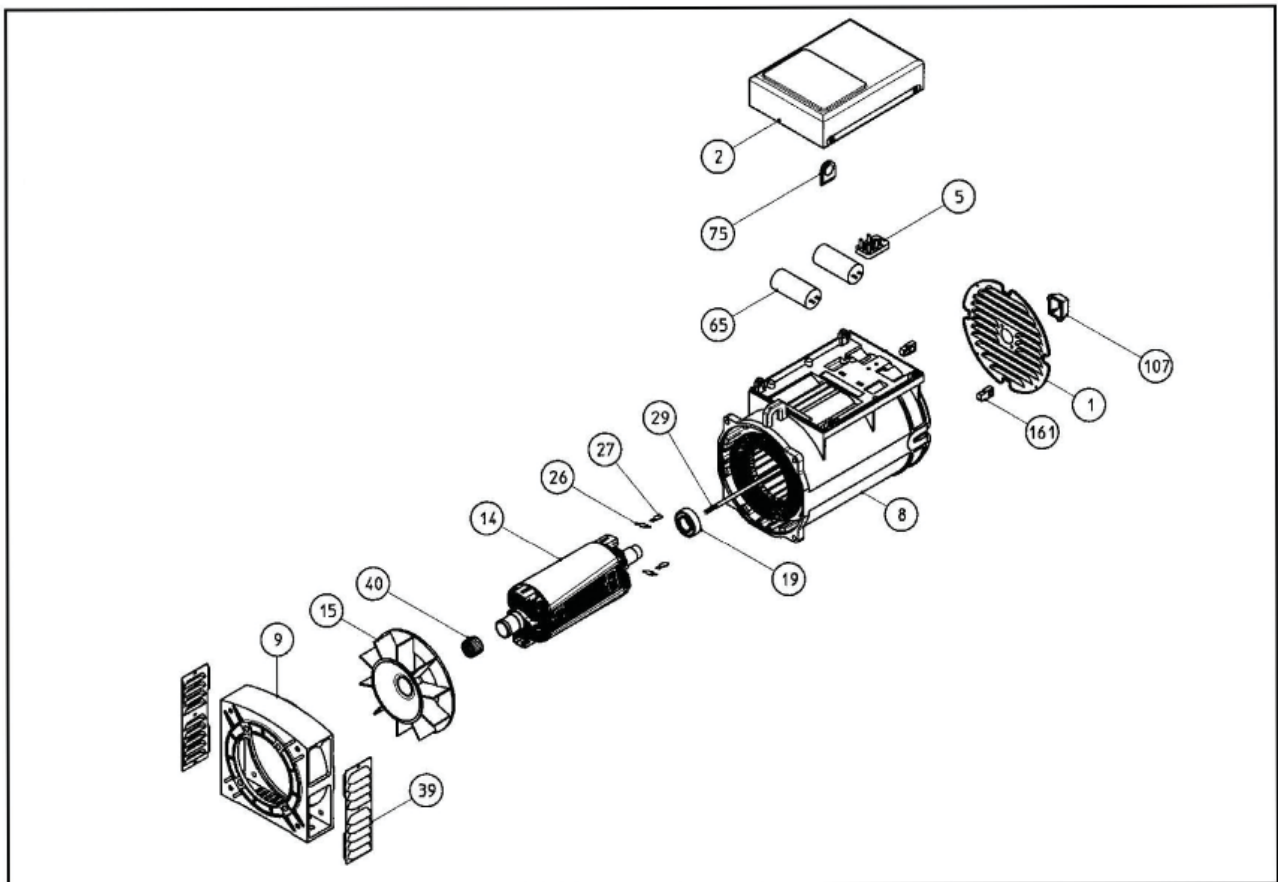


REF #	PART NUMBER	QTY	DESCRIPTION
1	64326-020	2	Axle
2	15775-006	1	Axle Bracket
3	64688-007	4	Axle Spacer
4	43657-003	4	Tire & Hub
5	458-000	8	5/16"-18 Hex Nut
6	480-000	8	5-/16"-18 Lock Washer
7	465-000	8	5/16"-18 X 3/4" Bolt
8	479-000	6	1/4" Lock Washer
9	47517-000	6	1/4"-20 Nylock Hex Nut
10	56842-004	4	1/4"-20 X 1.75" Bolt
11	300066-4	1	Left Handle Support
12	300066-3	1	Right Handle Support
13	61857-004	1	Handle
14	62912-000	3"	Foam Strip
15	96286-006	2	Nylon Washer
16	56842-005	2	1/4"-20 X 2" Bolt
17	1178-000	8	Flat Washer
18	64327-000	4	Hubcap
NI	15775-007	1	Axle Bracket, Engine End
NI	93402-002	2	Hole Plug
NI	Not Illustrated		

GENERATOR END SCHEMATIC



GENERATOR ASSEMBLY



REF #	PART NUMBER	QTY	DESCRIPTION
65	300323-112	2	Capacitor, 31.5 mf, 425V
26	300323-208	2	Varistor
27	300323-207	2	Diode
19	54665-000	1	Bearing
40	300323-110	1	Tolerance Ring
107	300323-211	1	Rubber Cap

GENERATOR SPECIFICATIONS:

ROTOR	6.57 Ohms
STATOR	0.209 Ohms
CAPACITOR	
LEADS	0.60 Ohms

WIRING DIAGRAM

