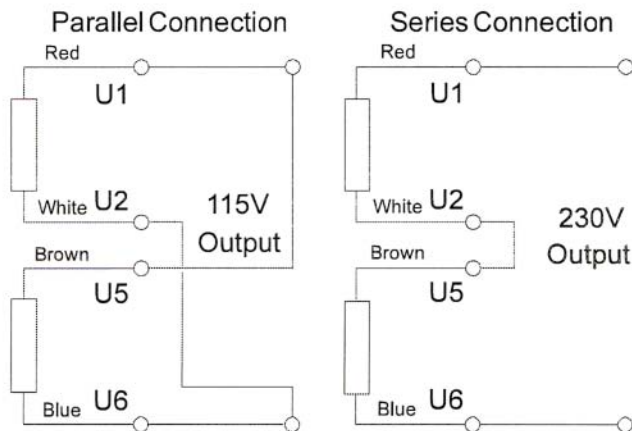
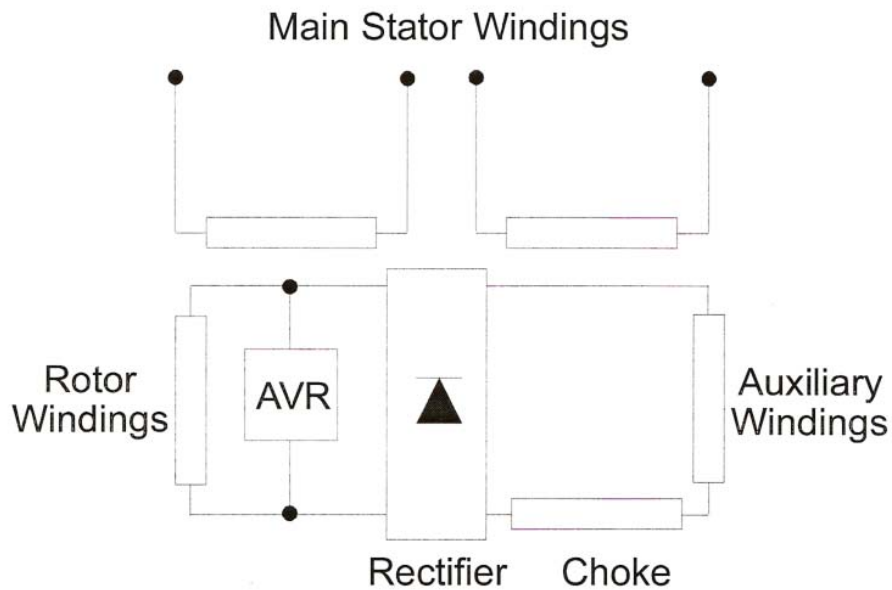
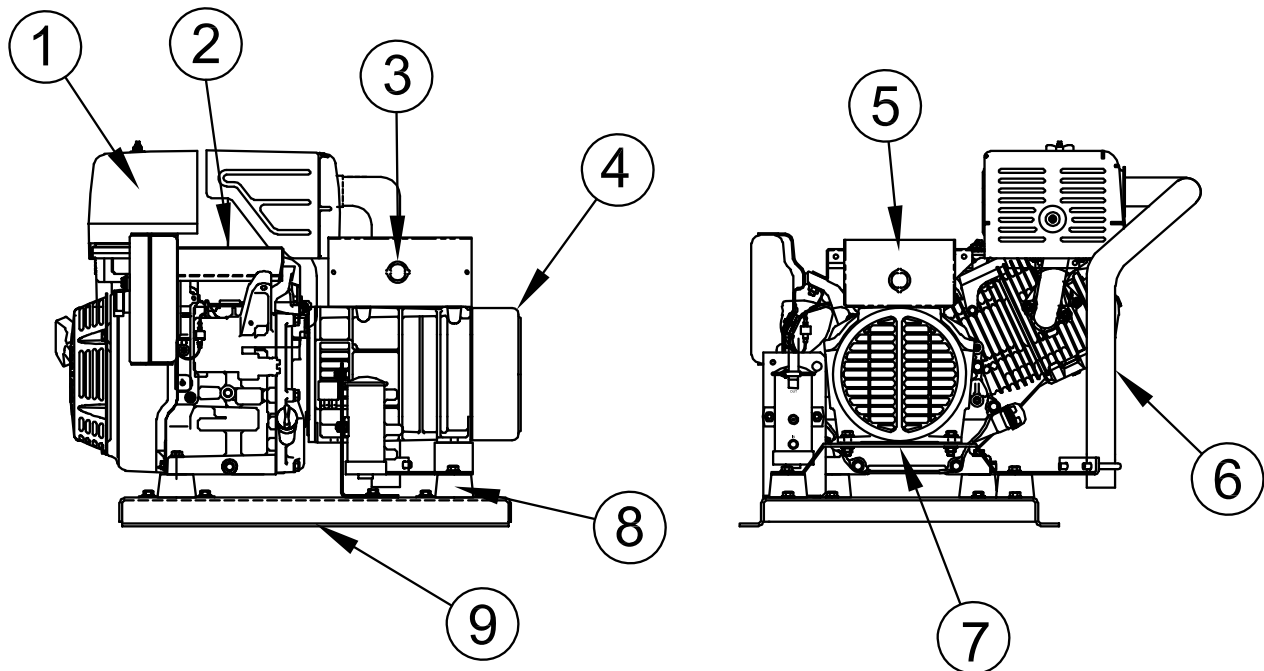


ILLUSTRATED EC6010GR/A PARTS LIST



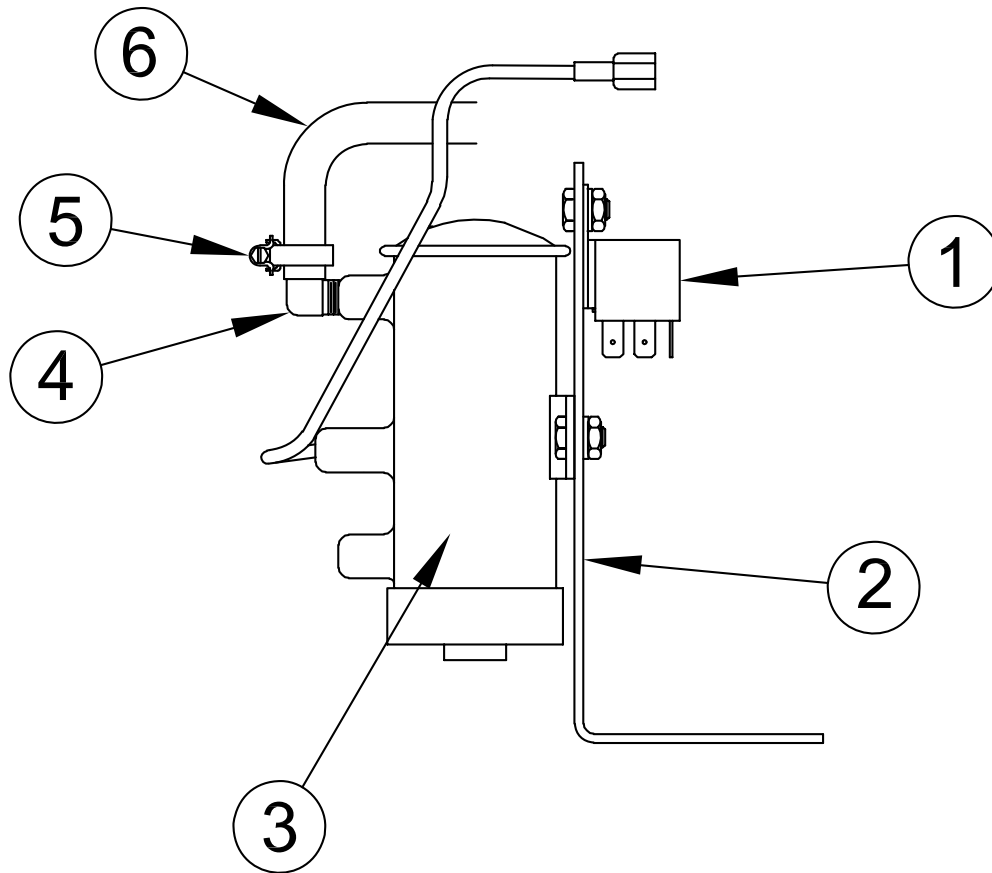
ENGINE & GENERATOR ASSEMBLY



REF #	PART NUMBER	QTY	DESCRIPTION
1	17210-ZE3-010	1*	Air Cleaner Element
	17218-ZE3-000	1*	Outer Filter
2	15428-000	1	Engine Honda Model GX340RT1VWE2
3	15615-007	1	Outlet Box Bottom
4	350097-104	1	Generator Markon Model SL105E-AVR J609
5	15615-006	1	Outlet Box Cover
6	15754-001	1	Exhaust Pipe
7	16335-008	1	Generator & Exhaust Support
8	98807-000	4	Shock Mount
9	15797-002	1	Base
NI	99407-402	1	Engine Harness
NI	93489-015	1	Muffler Clamp
NI	62496-000	1	Fuel Filter
NI	97391-002	2	Tube Clamp
NI	BPR6ES	1**	NGK Brand Spark Plug
NI	W20EPR-U	1**	Denso Brand Spark Plug

NI Not Illustrated
 * Honda Part #
 ** Use either one

FUEL SYSTEM ASSEMBLY



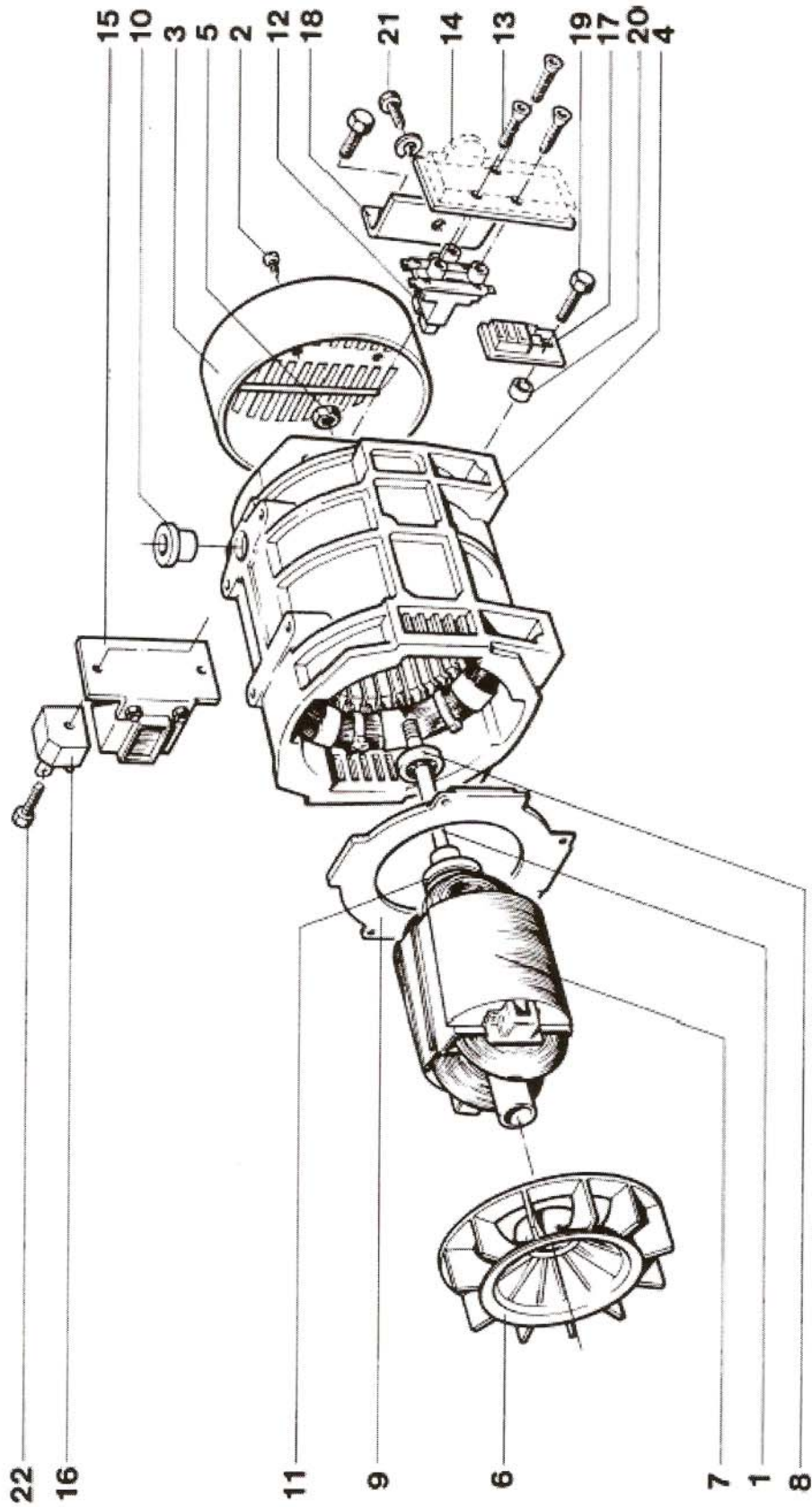
REF #	PART NUMBER	QTY	DESCRIPTION
1	59944-016	1	Relay SPDT
2	15799-001	1	Mounting Bracket
3	81332-001	1	Fuel Pump 12VDC
4	56879-000	1	Fitting
5	81018-009	2	Hose Clamp
6	40078-000	20"	Hose

WINCO INC
A Division of DTE Dyna Technology Inc

225 S. CORDOVA AVE.
 LECENTER, MN 56057
 507-357-6821
 SERVICE DEPT.
 507-357-6831

GENERATOR ASSEMBLY

TYPICAL SL105 GENERATOR



SL105 PARTS IDENTIFICATION

Plate Ref	Description	Part Numbers
1	SHAFT SECURING STUD	Various
2	END COVER FIXING SCREWS	005-04053
3	END COVER (PLASTIC)	14-116 / 1
3	END COVER (STEEL)	240-20344
4	STATOR FRAME ASSEMBLY	Various
5	SHAFT SECURING NUT	018-001
6	FAN	240-10213
7	WOUND ROTOR ASSEMBLY	Various
8	BEARING	014-040
9	AIR BAFFLE	240-10127
10	INSULATING BUSH	016-016
11	SLIPRINGS	013-001
12	BRUSHBOX ASSEMBLY	011-008
13	AVR FIXING SCREWS	504-163
14	AUTOMATIC VOLTAGE REGULATOR (AVR)	036-245
15	CHOKE	240-20346
16	DIODE BRIDGE	002-058
17	RADIO NTERFERENCE SUPPRESSOR (RIS)	036-115
18	BRUSHBOX MOUNTING PLATE	240-10126
19	RIS FIXING SCREW	005-04076
20	RIS INSULATING SPACER	240-10137
21	BRUSHBOX FIXING SCREW	016-40613
22	DIODE BRIDGE FIXING SCREW	005-04076

GENERATOR PARTS AVAILABLE THROUGH:

CUMMINS GENERATOR TECHNOLOGIES USA

1400 73RD AVE. N.E.

FRIDLEY, MN 55432

PH: 763-528-7301 FAX: 763-574-5082

DECALS

REF #	PART NUMBER	QTY	DESCRIPTION
NI	15859-000	1	Connection Decal
NI	53113-000	1	Winco Decal
NI	63941-001	1	Hot Surface Decal
NI	15209-000	1	UL Decal Set
NI	15715-063	1	Decal Kit
NI	Not Illustrated		