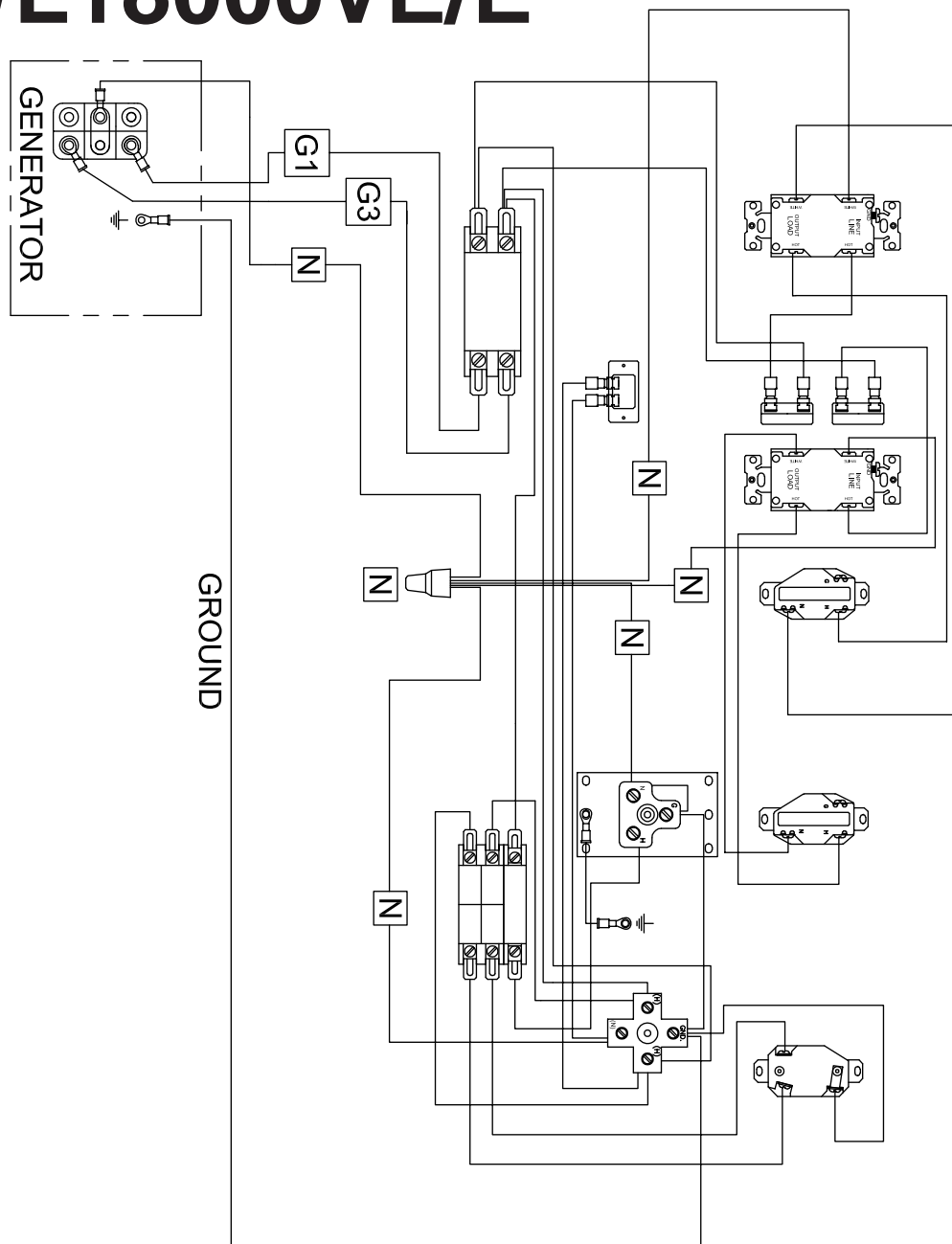
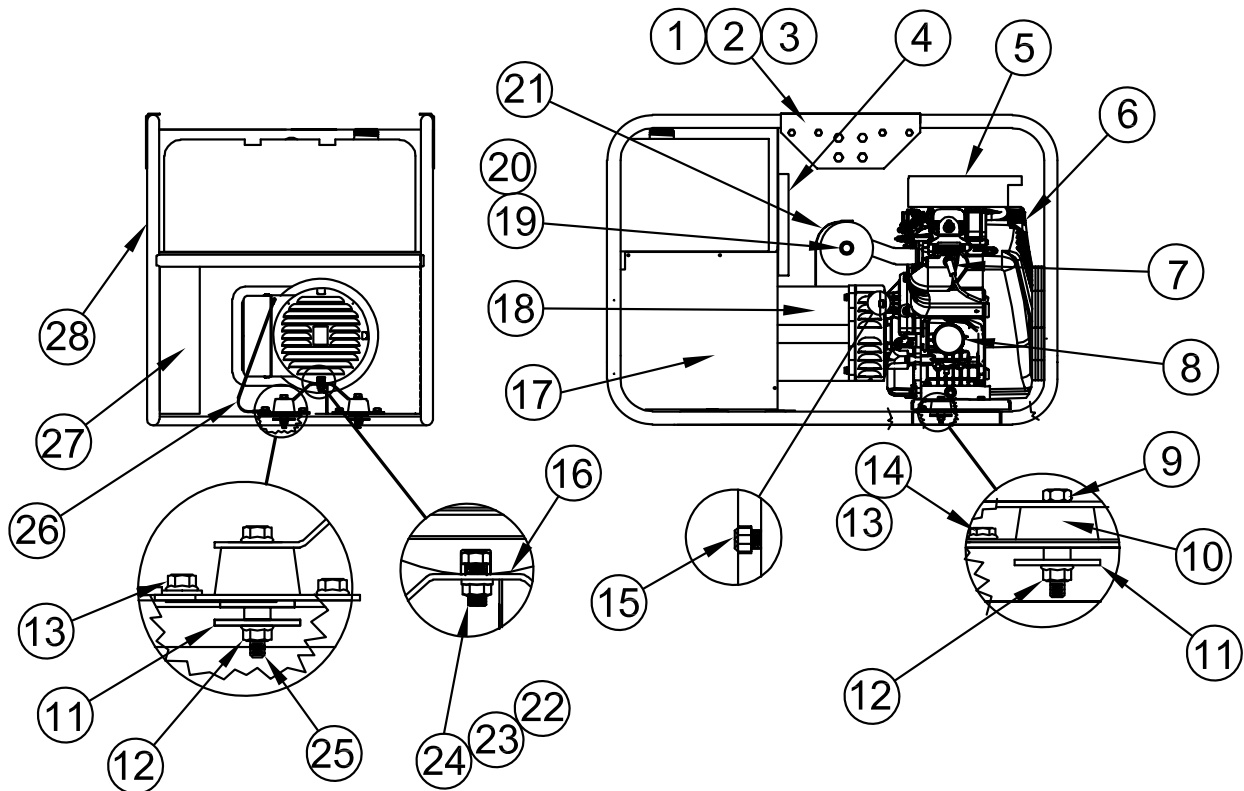


## ILLUSTRATED PARTS LIST

### WL18000VE/E



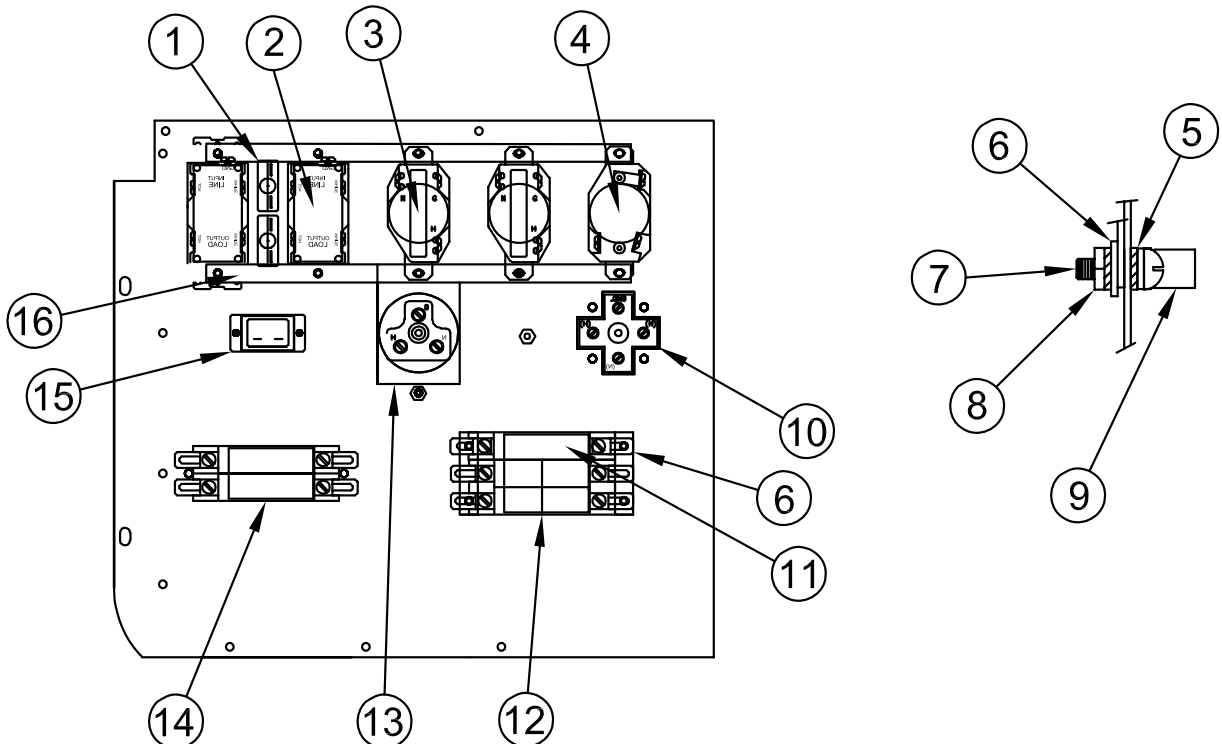
# ENGINE / GENERATOR ASSEMBLY



REF #	PART NUMBER	QTY	DESCRIPTION
1	300147-2	2	Lifting Eye Support
2	300148-2	2	Lifting Eye
3	300149-2	4	Cradle Lifting Support
4	15687-002	1	Heat Shield
5	692519	1*	Air Filter
	692520	1*	Filter Pre-Cleaner
6	16427-001	1	Engine, Briggs & Stratton Model 543477-0140-E1
7	792015	2*	Spark Plug
8	842921	1*	Oil Filter
9	91658-006	6	3/8-16 X 2-3/4" Bolt
10	98807-000	6	Shock Mounts
11	98806-000	6	2" OD X .406" ID Washer
12	16250-000	6	3/8-16 Flange Nut
13	467-000	12	5/16-18 X 3/4" Bolt
14	16249-000	16	5/16-18 Flange Nut
15	91658-001	4	HHCS 3/8-16 X 1" GR5 Zinc

REF #	PART NUMBER	QTY	DESCRIPTION
16	16335-006	1	Generator Support
17	98101-006	1	Side Panel
18	16428-002	1	Generator, Mecc Alte Spa Model S20F-230/A
19	16237-002	1	Spark Arrester
20	98602-000	1	Muffler
21	16356-002	1	Muffler Shield
22	93017-000	1	7/16-14 X 1-1/4" Bolt
23	90570-000	1	7/16 Lock Washer
24	81034-000	1	7/16-14 Hex Nut
25	9416-000	3	HHCS 5/16-18 X 1.75" Bolt
26	9769-158	1	Lead Wire Assembly
27	300146-5	1	Receptacle Box Rear Cover
28	63073-030	1	Cradle
NI	300323-112	1	31.5 $\mu$ , 425VAC Capacitor
NI	300323-212	2	35 $\mu$ , 425VAC Capacitor
NI	300143-2	1	Battery Hold Down Kit
NI	300349	1	Oil Drain Valve
NI	22097-007	1	Negative (-) Battery Cable
NI	22097-004	1	Positive (+) Battery Cable
NI	300430-2	1	Battery Tray
NI	Not Illustrated		
*	B & S Part #'s		

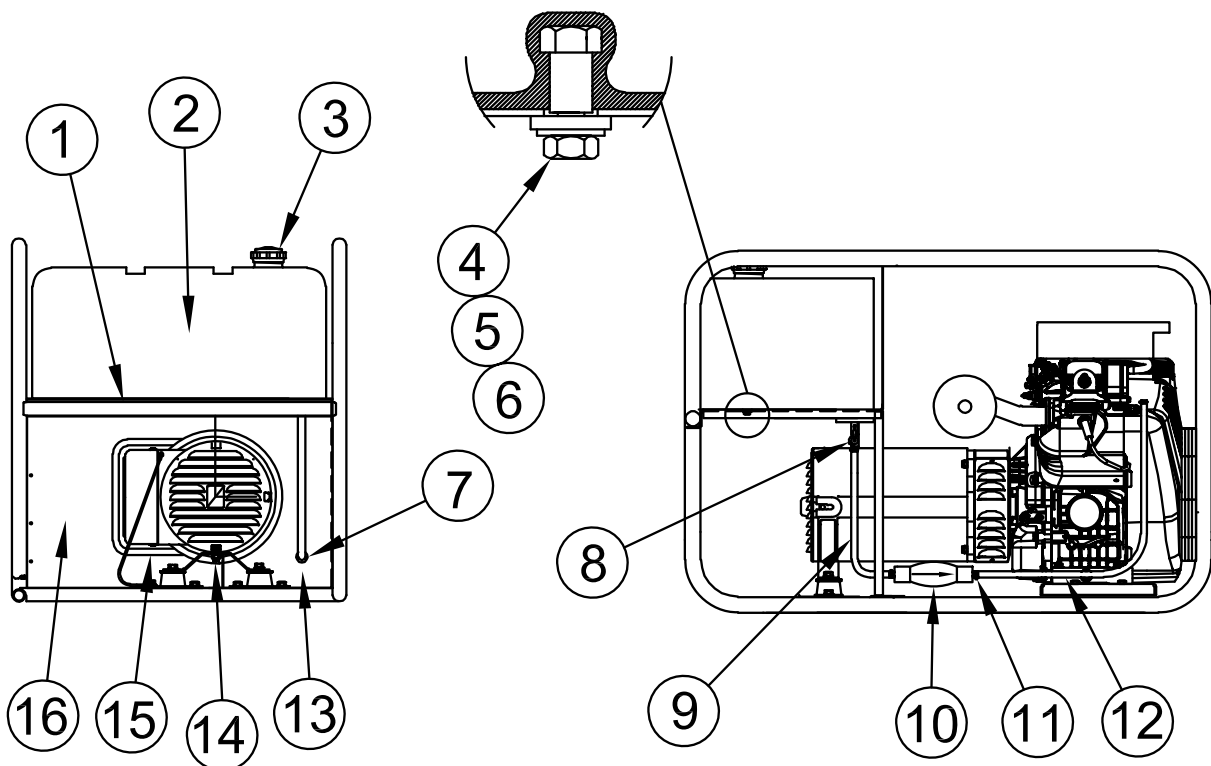
## RECEPTACLE PANEL ASSEMBLY



# RECEPTACLE PANEL ASSEMBLY

REF #	PART NUMBER	QTY	DESCRIPTION
1	91286-001	2	20A Circuit Breaker
2	15147-001	2	20A GFCI Receptacle
3	56279-000	2	NEMA L5-20R Receptacle
4	57324-000	1	NEMA L6-30R Receptacle
5	21975-000	2	Lock Washer
6	64045-036	2	Mounting Strap
7	419-000	1	#10-24 X 1/2" Screw
8	456-000	3	#10-24 Hex Nut
9	48042-001	1	Ground Lug
10	300136	1	NEMA 14-60R Receptacle
11	91977-003	1	50A Circuit Breaker
12	57030-002	1	30A Circuit Breaker
13	54545-000	1	NEMA 5-50R Receptacle
14	57030-005	1	60A Circuit Breaker
15	58166-001	1	Running Time Meter
16	64045-036	2	Mounting Strap

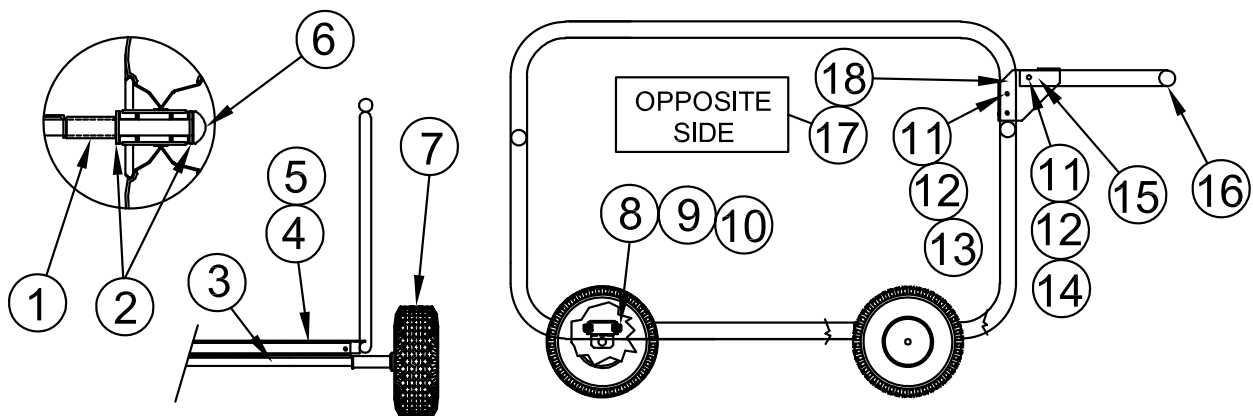
# FUEL SYSTEM ASSEMBLY



# FUEL SYSTEM ASSEMBLY

REF #	PART NUMBER	QTY	DESCRIPTION
1	15462-028	1	Fuel Tray
2	16316-001	1	15 Gal. Fuel Tank
3	62396-006	1	Fuel Cap with Gauge
4	91658-011	4	3/8-16 X 3/4" Bolt
5	50604-000	4	Flat Washer
6	16133-001	4	Leather Washer
7	23917-000	1	Grommet
8	Provided with Tank	1	Shut Off Valve
9	40078-028	1	Fuel Line
10	62391-000	1	Primer Bulb
11	62999-001	4	1/4" Hose Clamps
12	40078-012	1	Fuel Line
13	15464-007	1	Right Divider
14	15287-001	1	Air Seal 15.5"
15	15287-019	1	Air Seal 25.5"
16	15464-008	1	Left Divider

# DOLLY KIT



# DOLLY KIT

REF #	PART NUMBER	QTY	DESCRIPTION
1	64688-007	4	Axle Stub
2	1178-000	8	Flat Washer 1 - 3/8"
3	64326-020	2	Axle
4	15775-007	1	Rear Axle Bracket
5	15775-005	1	Front Axle Bracket
6	64327-000	4	Hubcap
7	43657-003	4	Tire & Hub
8	458-000	8	Hex Nut 5/16" - 18
9	480-000	8	Lock Washer 5/16" - 18
10	467-000	8	HHCS 5/16" - 18 X 3/4"
11	479-000	6	Lock Washer 1/4"
12	93773-000	6	Acorn Nut 1/4" - 20
13	56842-004	4	Carriage Bolt 1/4" - 20 X 1-3/4"
14	56842-005	2	Carriage Bolt 1/4" - 20 X 2"
15	96286-006	2	Nylon Washer 1/4" X 1-1/4"
16	61857-003	1	Handle
17	300066-403	1	Right Handle Support
18	300066-404	1	Left Handle Support
NI	93402-002	2	1.25" Hole Plug
NI	Not Illustrated		

**ENGINE MANUAL AND PARTS LIST AVAILABLE AT:**  
[briggsandstratton.com](http://briggsandstratton.com)

**GENERATOR MANUAL AVAILABLE AT:**  
[meccalte.com](http://meccalte.com)

***WINGO INC***<sup>®</sup>  
*A Division of DTE Dyna Technology Inc*

**225 S. CORDOVA AVE.  
LECENTER, MN 56057  
507-357-6821  
SERVICE DEPT.  
507-357-6831**