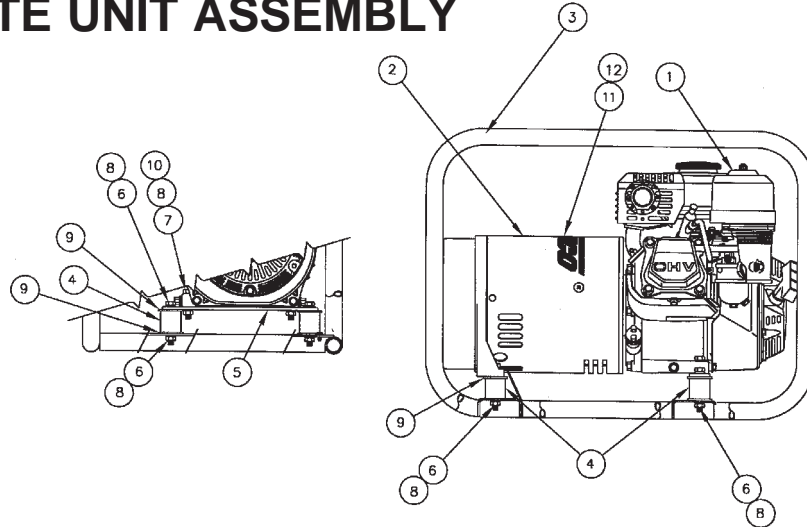


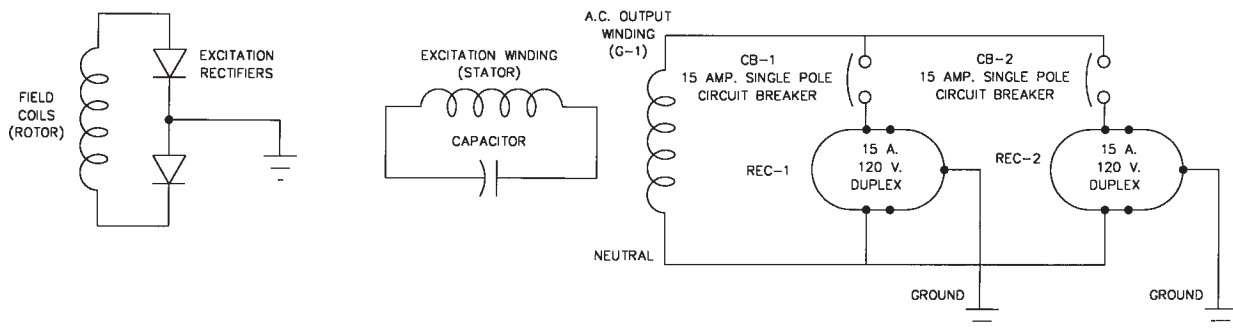
## MODEL WT3000H/A & WT3500/A

### COMPLETE UNIT ASSEMBLY

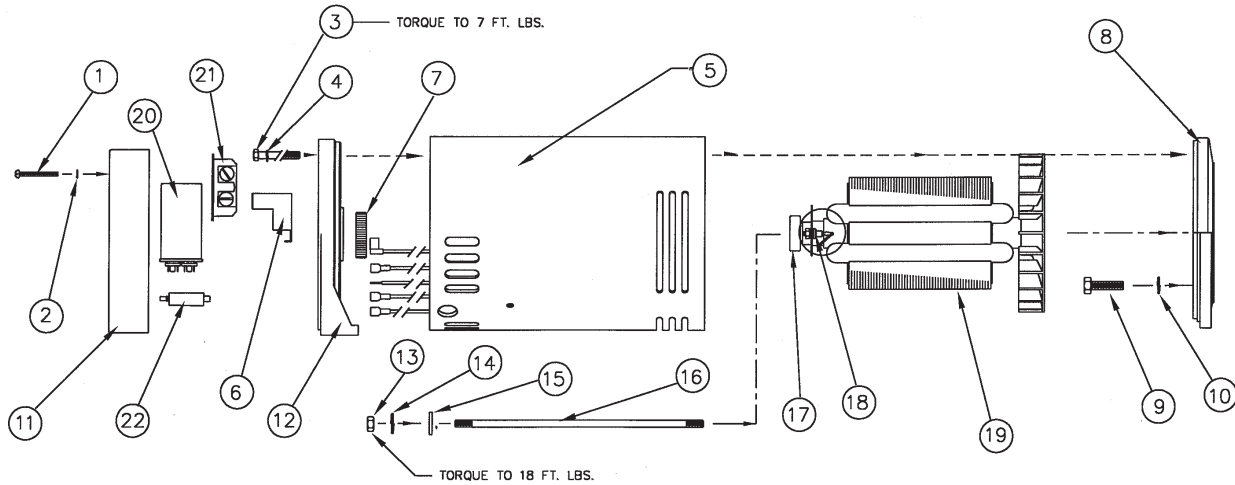


| WT3000H/A |           |     | DESCRIPTION                    | WT3500/A  |     |
|-----------|-----------|-----|--------------------------------|-----------|-----|
| REF       | PART NBR  | QTY |                                | PART NBR  | QTY |
| 1         | 15250-000 | 1   | Engine GX160 K1 VW2            |           |     |
|           |           |     | Engine 117432-0238-E1          | 15979-002 | 1   |
| 2         | 15041-021 | REF | Generator Assembly             | 15041-021 | REF |
| 3         | 63073-013 | 1   | Cradle Assembly                | 63073-013 | 1   |
| 4         | 64062-000 | 4   | Shockmounts                    | 64062-000 | 4   |
| 5         | 15986-001 | 1   | Engine Mounting Bracket        | 15986-002 | 1   |
| 6         | 467-000   | 8   | 5/16 - 18 X .75 Hex Head Bolt  | 467-000   | 8   |
| 7         | 468-000   | 2   | 5/16 - 18 X 1.50 Hex Head Bolt | 468-000   | 2   |
| 8         | 480-000   | 14  | 5/16 Lockwasher                | 480-000   | 14  |
| 9         | 23760-002 | 6   | 1.5 OD X .344 ID Flat Washer   | 23760-002 | 6   |
| 10        | 458-000   | 6   | 5/16 - 18 Hex Nut              | 458-000   | 6   |
| 11        | 15370-003 | 1   | Model, Decal                   | 15370-017 | 1   |
| 12        | 64214-042 | 1   | WINCO Industrial, Decal        | 64214-042 | 1   |
| NI        | 15209-000 | 1   | Warning Decals                 | 15290-000 | 1   |

### WIRING DIAGRAM



# GENERATOR ASSEMBLY



| REF | PART NBR  | QTY | DESCRIPTION                   |
|-----|-----------|-----|-------------------------------|
| 1   | 15013-000 | 4   | #10 -32 X 1.75 Pan Screw      |
| 2   | 21975-000 | 4   | #10 Lockwasher                |
| 3   | 15530-002 | 4   | 1/4 - 20 Special Stud         |
| 4   | 479-000   | 4   | 1/4 Lockwasher                |
| 5   | 15093-000 | 1   | Stator Assembly Complete      |
| 6   | 15088-000 | 1   | Capacitor Strap               |
| 7   | 15122-000 | 1   | Tolerance Ring                |
| 8   | 15053-001 | 1   | Engine End Bracket            |
| 9   | 91547-000 | 4   | 5/16 - 24 X 1.0 Hex Head Bolt |
| 10  | 480-000   | 4   | 5/16 Lockwasher               |
| 11  | 15133-003 | 1   | End Cover Bare                |
| 12  | 15156-001 | 1   | Bearing Bracket               |
| 13  | 15193-000 | 1   | 5/16 - 24 Hex Nut             |
| 14  | 480-001   | 1   | 5/16 Lockwasher               |
| 15  | 23558-000 | 1   | 11/32 X 1 1/8 Flat Washer     |
| 16  | 23197-007 | 1   | Thru Bolt                     |
| 17  | 55223-000 | 1   | Bearing                       |
| 18  | 15047-001 | 1   | Diode (STD)                   |
| 19  | 15045-003 | 1   | Rotor Complete                |
| 20  | 15051-000 | 1   | Capacitor                     |
| 21  | 24749-000 | 2   | Duplex Receptacle             |
| 22  | 91286-001 | 2   | 15 A. 120 V. Circuit Breaker  |

## GENERATOR SPECIFICATIONS

|                     |                 |
|---------------------|-----------------|
| Rotor               | 0.87 Ohms       |
| G1 to N             | 0.55 Ohms       |
| Capacitor Leads     | 1.75 Ohms       |
| AC Residual Voltage | 7.0 VAC G1 to N |
| Winding Spec.       | SS#1530         |
| AC Connection       | AC#369          |

**WINGO<sup>®</sup> INC**  
 A Division of DTP Dyna Technology Inc  
 225 South Cordova Avenue  
 Le Center MN 56057  
 507-357-6831