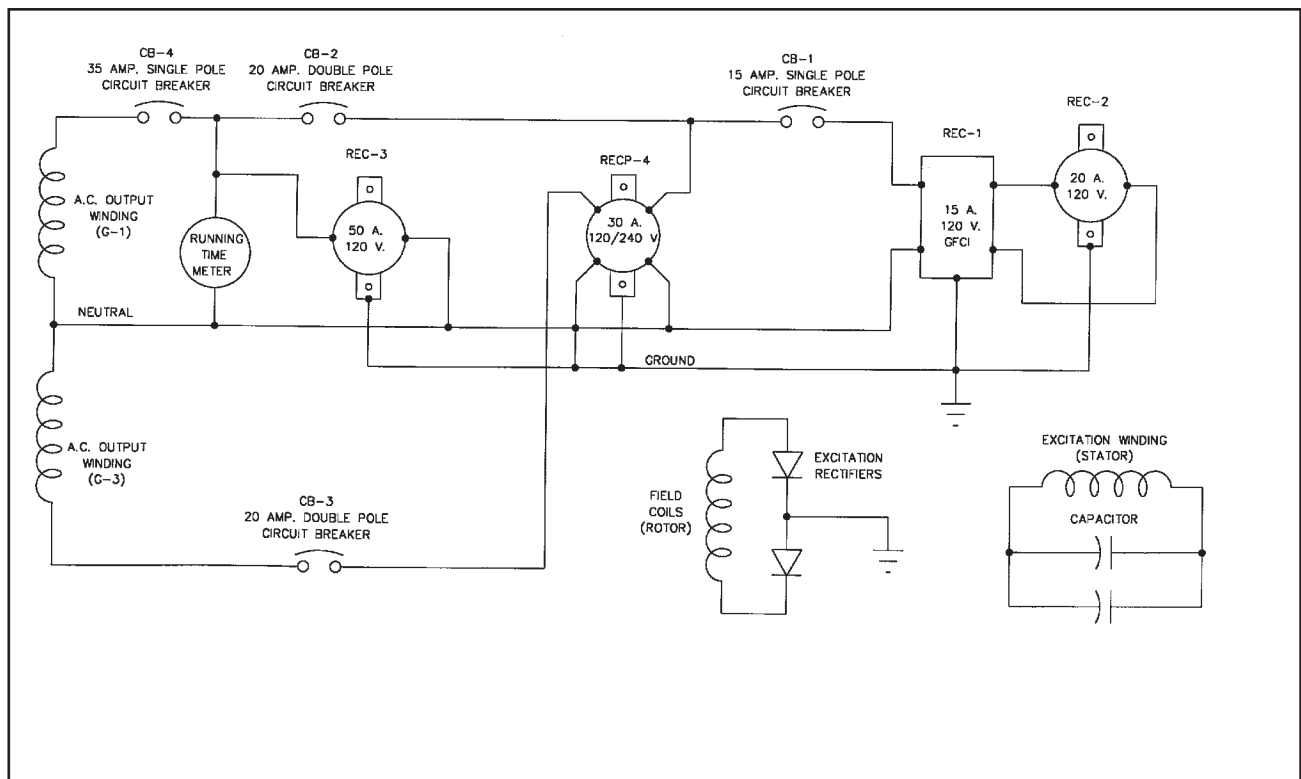


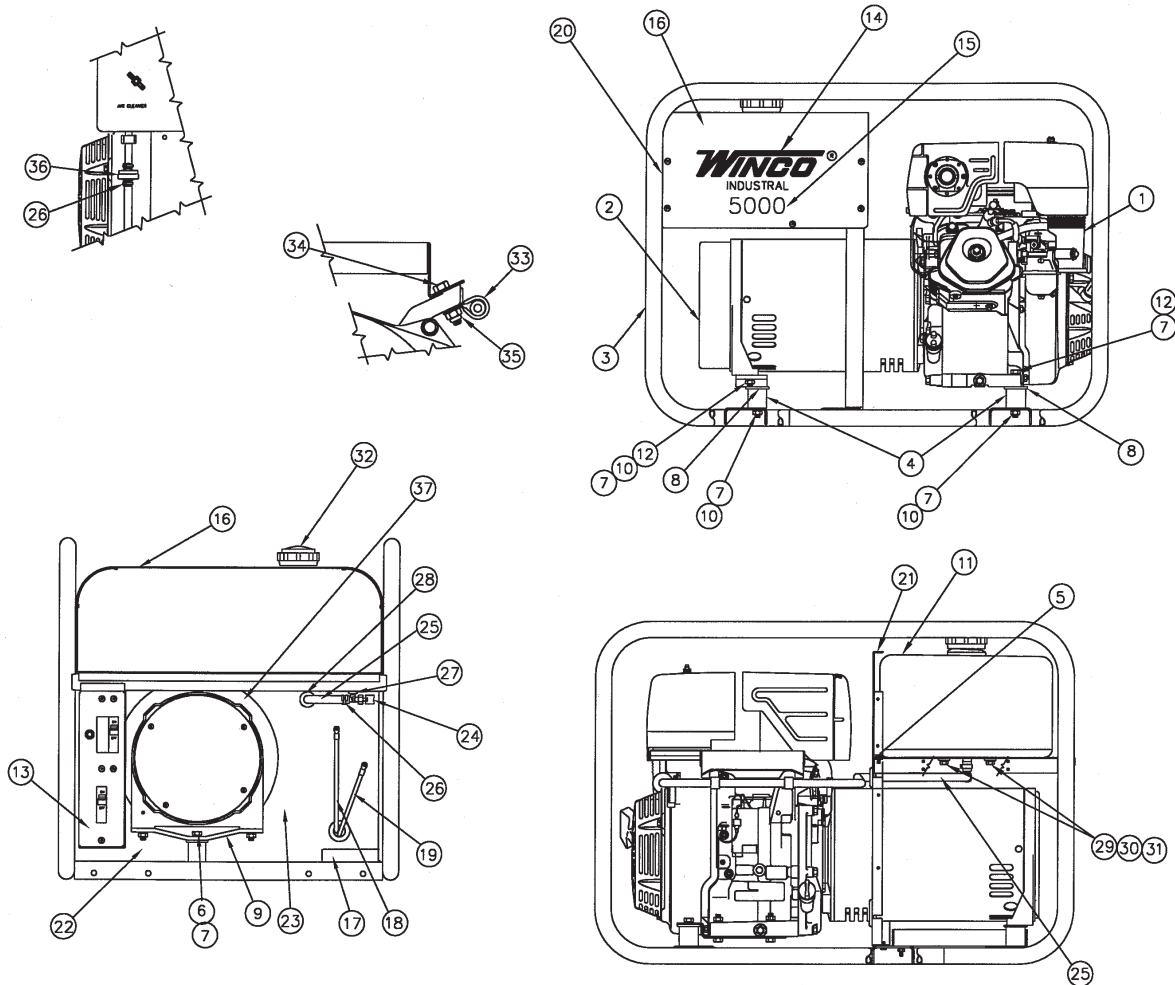
MODEL W4500/A W4500E/A W5000H/A



GENERATOR SPECIFICATIONS

G1 TO NEUTRAL	0.18 OHMS
G3 TO NEUTRAL	0.36 OHMS
"Q" WINDING	0.55 OHMS
ROTOR	1.00 OHMS
WINDING SPEC.	SS#1531
AC CONNECTION	AC#367
AC RESIDUAL VOLTS	7.0 VAC L-L

COMPLETE UNIT ASSEMBLY

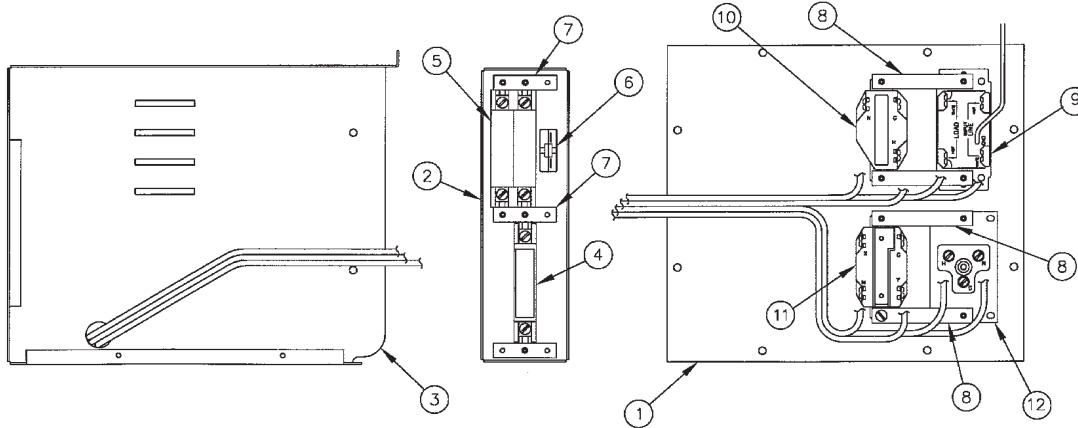


W5000H/A				W4500E/A		W4500/A	
REF	PARTNBR	QTY	DESCRIPTION	PART NBR	QTY	PART NBR	QTY
1	15542-001	1	Engine Honda GX270VW12	N/A	0	N/A	0
	N/A	0	Engine B&S 196437-1042-E2	16089-005	1	N/A	0
	N/A	0	Engine B&S 196432-1073-E2	N/A	0	16089-002	1
2	15041-005	REF	Generator Unassembled	15041-005	REF	15041-005	REF
3	63073-007	1	Cradle	63073-007	1	63073-007	1
4	64062-000	3	Shockmounts	64062-000	3	64062-000	3
5	21698-001	24	#10 X 3/8 Self Tapping Screw	21698-001	24	21698-001	24
6	467-000	1	5/16-18 Hex Head Cap Screw	467-000	1	9416-000	1
7	480-000	8	5/16 Lockwasher	480-000	8	480-000	8
8	23760-001	3	1.5 O.D. X .344 I.D. Flat Washer	23760-001	3	23760-001	3
9	15039-000	1	Generator Support Bracket	15039-000	1	15039-000	1
10	458-000	5	5/16-18 Hex Nut	458-000	5	458-000	5
11	64024-000	1	4.5 Gallon Fuel Tank	64024-000	1	64024-000	1
12	9416-000	4	5/16-18 Hex Head Cap Screw	9416-000	4	9416-000	4
13	16176-007	REF	Receptacle Box Assembly	16176-007	REF	16176-007	REF
14	64214-042	1	WINCO, Industrial Decal	64214-042	1	64214-042	1
15	15370-008	1	Model Decal	15370-006	1	15370-006	1
16	15227-003	1	Top Cover	15227-003	1	15227-003	1
17	Not Used		Battery Tray	15676-001	1	Not Used	
18	Not Used		POS Battery Cable	15767-006	1	Not Used	

COMPLETE UNIT ASSEMBLY CONTINUED

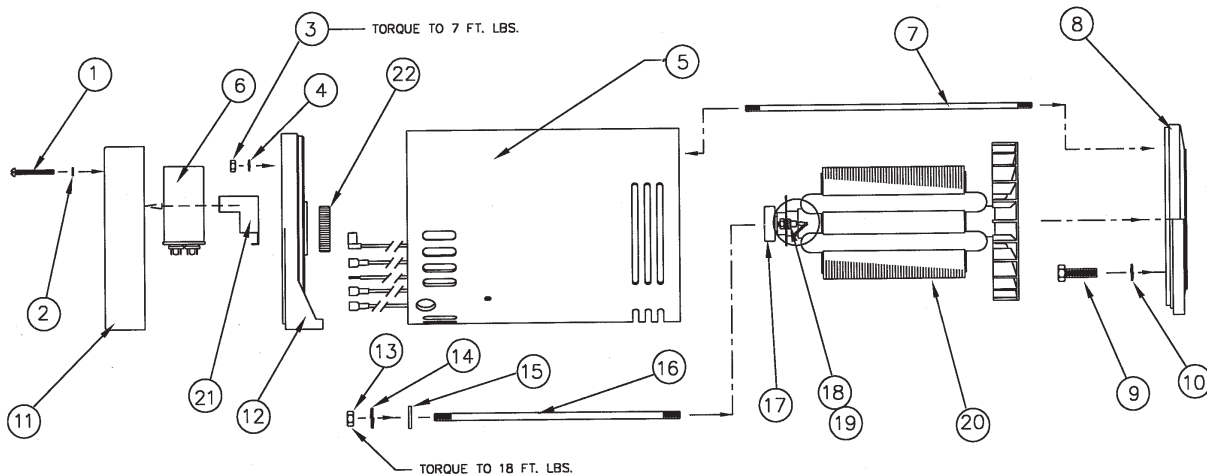
W5000H/A				W4500E/A		W4500/A	
REF	PARTNBR	QTY	DESCRIPTION	PART NBR	QTY	PART NBR	QTY
19	Not Used		NEG Battery Cable	15767-007	1	Not Used	
20	15144-001	1	Tank Baffle Generator End	15144-001	1	15144-001	1
21	15462-007	1	Fuel Tank Tray	15462-007	1	15462-007	1
22	15223-013	1	Left Tank Support Panel	15223-008	1	15223-008	1
23	15222-013	1	Right Tank Support Panel	15222-008	1	15222-008	1
24	56879-000	1	Shut Off Valve/Elbow	98771-000	1	98771-000	1
25	40078-000	26"	Fuel Hose	40078-000	8"	40078-000	8"
26	62999-001	1	Hose Clamp	62999-001	2	62999-001	2
27	81018-008	1	Clamp	81018-008	1	81018-008	1
28	56927-000	1	Grommet	56927-000	2	56927-000	2
29	466-000	2	¼-20 X.75 Hex Head Bolt	466-000	2	466-000	2
30	512-000	2	¼ Flat Washer	512-000	2	512-000	2
31	16133-000	2	¾ O.D. X ¼ I.D. X 1/8 Leather Washer	16133-000	2	16133-000	2
32	15482-000	1	Fuel Tank Cap	15482-000	1	15482-000	1
33	97391-002	1	Cushioned Clamp	Not Used		Not Used	
34	95281-000	1	1/4-20 X1.25 Hex Head Bolt	Not Used		Not Used	
35	47517-000	1	1/4-20 Lock Nut	Not Used		Not Used	
36	62496-000	1	Fuel Filter	62496-000	1	62496-000	1
37	15287-000	31"	Air Seal	15287-000	31"	15287-000	31"

RECEPTACLE PANEL ASSEMBLY



REF	PART NBR	QTY	DESCRIPTION
1	15458-010	1	Front Panel, Bare
2	15221-009	1	End Panel, Bare
3	15221-008	1	Bottom, Top and Back Panel
4	91977-008	1	35 A. 120 V. Circuit Breaker
5	57030-001	1	20 A. 240 V. Circuit Breaker
6	91286-000	1	15 A. 120 V. Circuit Breaker
7	64045-012	3	3 Hole Mounting Strip
8	64045-002	4	2 Hole Mounting Strip
9	15147-002	1	15 A. 120 V. GFCI Duplex (5-15R)
10	56279-000	1	20 A. 120 V. Receptacle (L5-20R)
11	97360-000	1	30A 120/240 V. Receptacle (L14-30R)
12	54545-000	1	50 A. 120 V. Receptacle (5-50R)

GENERATOR ASSEMBLY



REF	PART NBR.	QTY	DESCRIPTION
1	15013-000	4	#10-32 X 3.5" Screw
2	21975-000	4	#10 Lockwasher
3	15192-000	4	¼ -20 Hex Nut
4	479-000	4	¼ Lockwasher
5	15091-005	1	Stator, Complete
6	15051-000	2	Capacitor
7	15068-008	4	¼ - 20 Stator Bolts
8	15008-001	1	Engine Mounting Bracket
9	91658-003	4	3/8 - 16 X 1.5 Hex Head Bolt
10	481-000	4	3/8" Lockwasher
11	15106-000	1	End Cover Bare
12	15156-001	1	Bearing Bracket
13	15193-000	1	5/16" Hex Nut
14	480-001	1	5/16" Lockwasher
15	23558-000	4	5/16" X 1" DIA. X .125 THK Flat Washer
16	23197-009	1	Generator Thru Bolt
17	55223-000	1	Bearing
18	15047-001	1	Diode, STD
19	15047-002	1	Diode, REV
20	15045-005	1	Rotor, Complete
21	15088-000	1	Capacitor Strap
22	15122-000	1	Tolerance Ring

WINCO[®] INC
A Division of DTE Dyna Technology Inc

225 South Cordova Avenue
 Le Center MN 56057
 507-357-6831