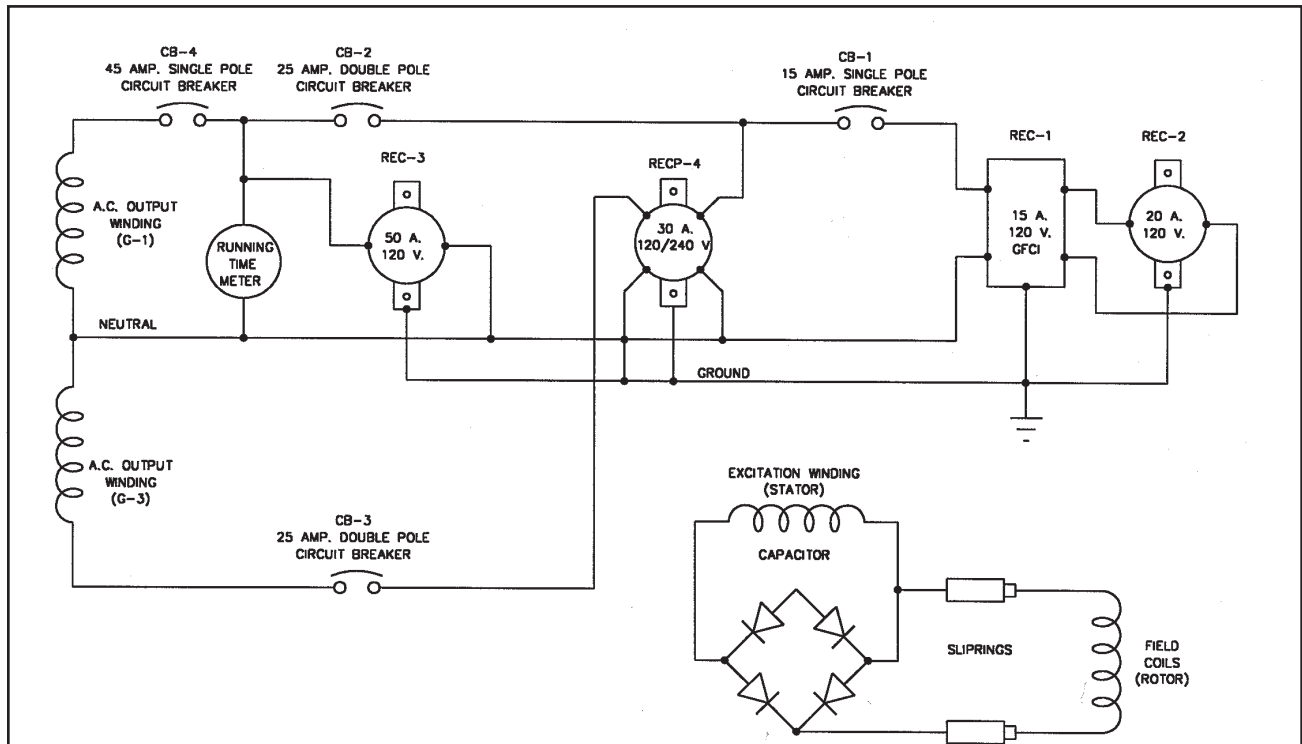


MODELS W6000H/A W6000E/A

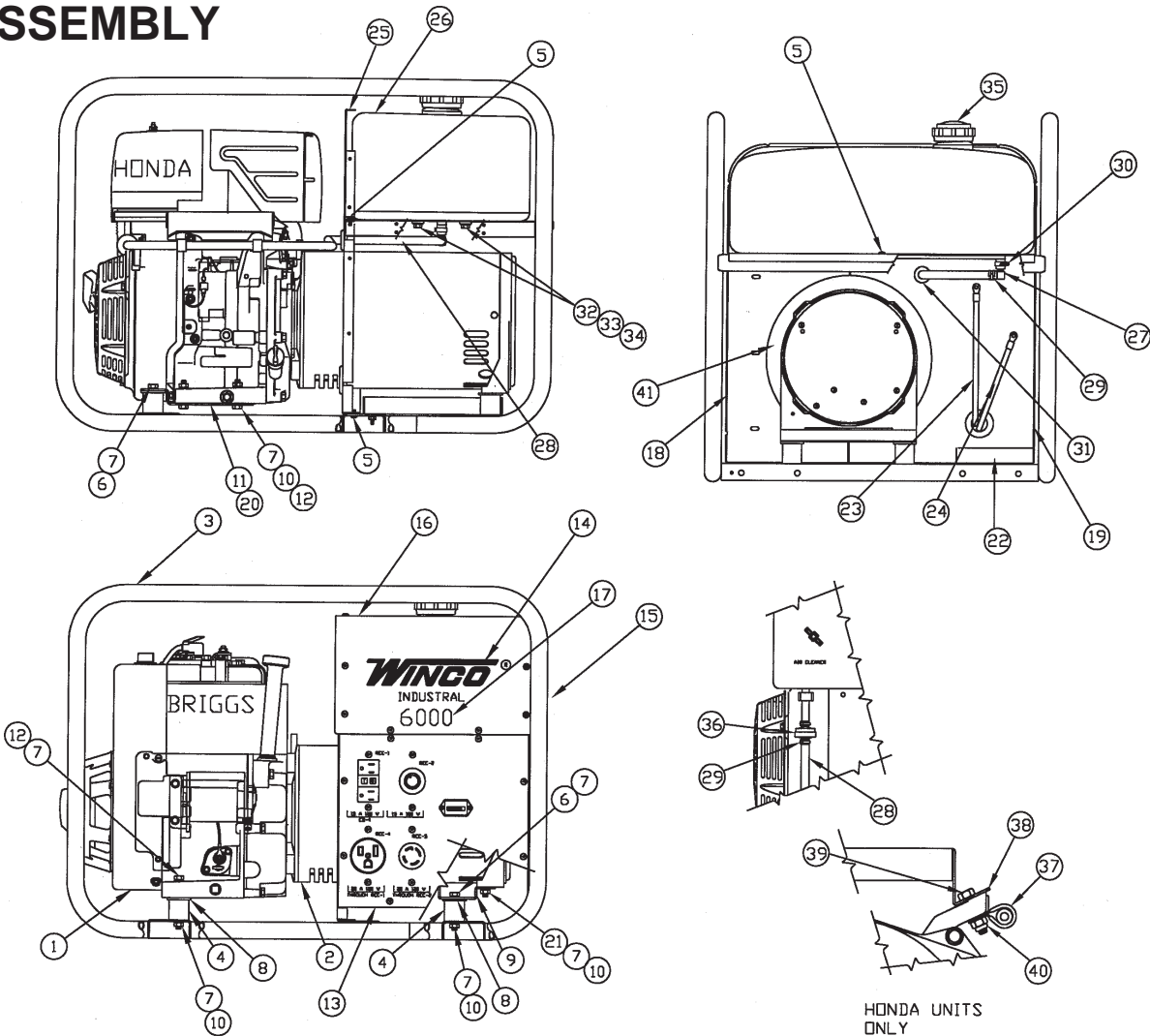


A.C. POWER SCHEMATIC
MODEL W6000/A
MODEL W6000H/A

GENERATOR SPECIFICATIONS

G1 TO NEUTRAL	0.11 OHMS
G3 TO NEUTRAL	0.18 OHMS
"Q" WINDING	0.80 OHMS
ROTOR	11.5 OHMS
WINDING SPEC.	SS#1544
AC CONNECTION	AC#373
AC RESIDUAL VOLTS	7.0 VAC L-L

COMPLETE UNIT ASSEMBLY



HONDA UNITS ONLY

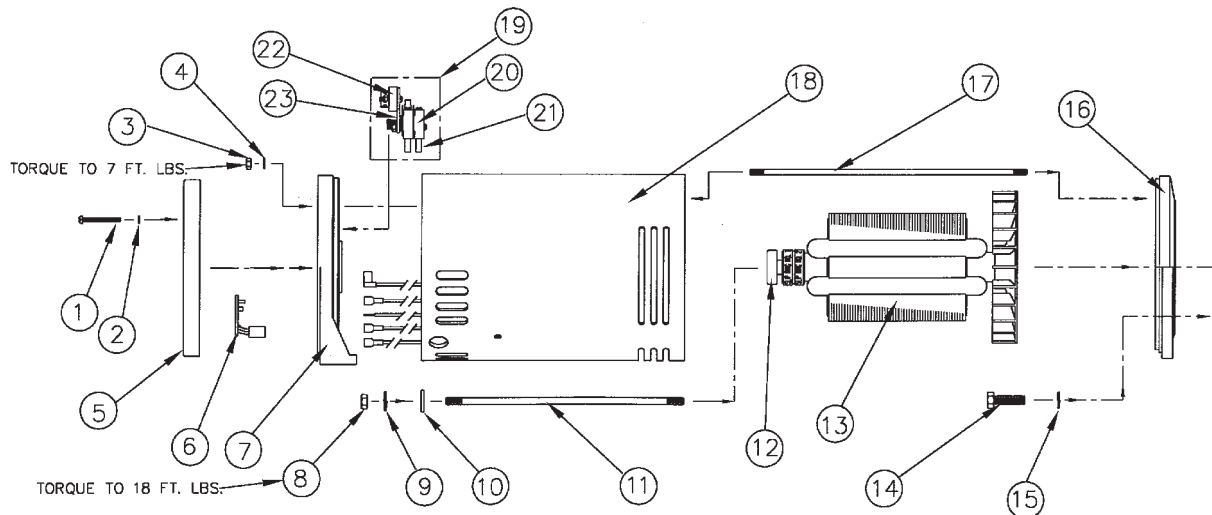
W6000H/A

W6000E/A

REF	PART NBR	QTY	DESCRIPTION	PART NBR	QTY
1	15467-000	1	Honda - GX340K1-VW12	N/A	
	N/A	1	Briggs - 254427-4006-01	15632-002	1
2	15532-006	REF	Generator Assembly	15532-006	1
3	63073-011	1	Cradle Assembly	63073-007	1
4	64062-000	4	Shock Mounts	64062-000	4
5	21698-001	15	#10 X 3/8 Self Tapping Screw	21698-001	15
6	467-000	4	5/16 - 18 X .75 Hex Head Bolt	467-000	2
7	480-000	14	5/16 Lockwasher	480-00	10
8	23760-001	2	1.5 OD X .344 ID Flat Washer	23760-001	4
9	15929-003	1	Generator Support Bracket	15084-000	1
10	458-000	10	5/16 - 18 Hex Nut	458-000	6
11	15929-002	1	Engine Support Bracket - Left	N/A	
12	9416-000	4	5/16 - 18 X 1.75 Hex Head Bolt	9416-00	2
13	16176-004	REF	Receptacle Box	16176-004	REF
14	64214-042	1	Winco Industrial Decal	64214-042	1
15	15370-000	1	Model Decal	15370-000	1
16	15227-003	1	Fuel Tank Cover	15227-003	1
17	15144-001	1	Tank Baffle, Gen. End	15144-001	1
18	15223-013	1	Left Tank Support Panel	15223-001	1

W6000H/A				W6000E/A		
REF	PART NBR	QTY	DESCRIPTION	PART NBR	QTY	
19	15222-013	1	Right Tank Support Panel	15222-013	1	
20	15929-001	1	Engine Support Bracket - Right	N/A		
21	580-000	1	5/16 - 18 X 1.25 Hex Head Bolt	580-000	2	
22	N/A		Battery Tray	15676-001	1	
23	N/A		POS Battery Cable	15767-006	1	
24	N/A		NEG Battery Cable	15767-007	1	
25	15462-007	1	Fuel Tank Tray	15462-007	1	
26	64024-000	1	4.5 Gallon Fuel Tank	64024-000	1	
27	56879-000	1	Elbow/Fuel Valve	98771-000	1	
28	40078-000	26"	Fuel Line	40078-000	8"	
29	62999-001	2	Hose Clamp	62999-001	2	
30	81018-008	1	Clamp	81018-008	1	
31	56927-000	2	Grommet	56927-001	1	
32	466-000	2	1/4 - 20 X .75 Hex Head Bolt	466-000	2	
33	512-000	2	1/4 Flat Washer	512-000	2	
34	16133-00	2	3/4 OD X 1/4 ID x 1/8 Leather Washer	16133-000	2	
35	15482-000	1	Fuel Tank Cap	15482-000	1	
36	62496-000	1	Fuel Filter	62496-000	1	
37	97391-002	1	Cushioned Clamp	N/A		
38	15679-000	1	Engine Governor Cover Plate	N/A		
39	95281-000	1	1/4 - 20 X 1.25 Hex Head Bolt	N/A		
40	47517-000	1	1/4 Hex Lock Nut	N/A		
41	15287-000	31"	Air Seal	15287-000	31"	
NI	15209-000	1	Warning Decal Kit	15209-000	1	

GENERATOR ASSEMBLY

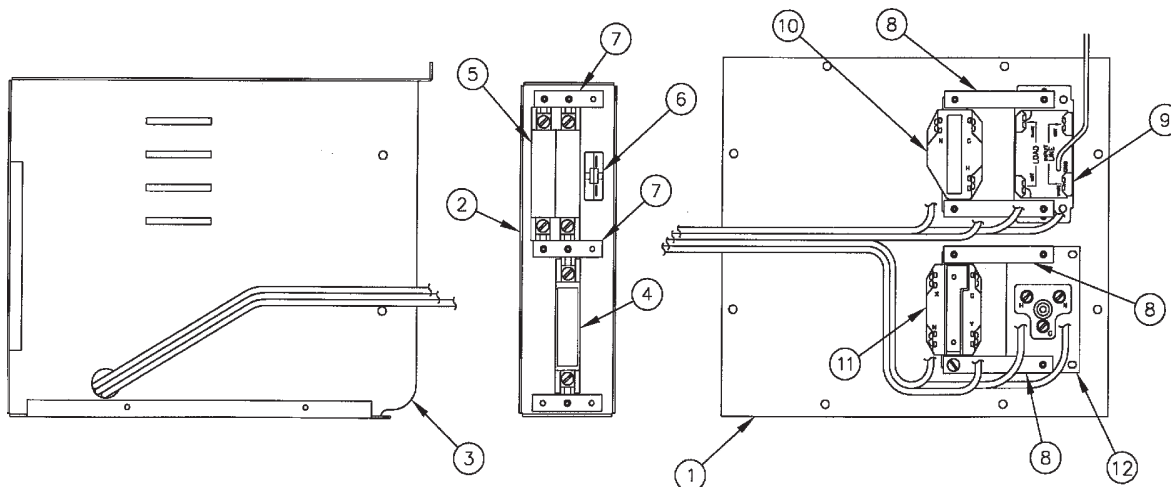


REF	PART NBR.	QTY	DESCRIPTION
1	15013-001	4	#10-32 X 1.75 Screw
2	21975-000	4	#10 Lockwasher
3	15192-000	4	1/4 -20 Hex Nut
4	479-000	4	1/4 Lockwasher
5	15085-000	1	End Cover Bare
6	15110-000	1	Conservator Module
7	15533-002	1	Bearing Bracket
8	15193-000	1	5/16 - 24 Hex Nut

GENERATOR ASSEMBLY CONTINUED

REF	PART NBR.	QTY	DESCRIPTION
9	480-001	1	5/16 Lockwasher
10	23558-000	1	5/16" X 1" DIA. X .125 THK Flat Washer
11	23197-006	1	Generator Thru-Bolt
12	50215-000	1	Bearing
13	15522-002	1	Rotor, Complete
14	91658-003	4	3/8 - 16 X 1.5 Hex Head Bolt
15	481-000	4	3/8 Lockwasher
16	15008-000	1	Engine Mounting Bracket
17	15068-009	4	1/4 - 20 Stator Bolts
18	15528-002	1	Stator, Complete
19	15523-000	1	Brushholder Assembly
20	59690-000	2	Brushholder
21	23607-000	2	Brush Assembly
22	91452-000	1	Rectifier
23	15524-000	1	Mounting Plate

CONTOL PANEL ASSEMBLY



REF	PART NBR	QTY	DESCRIPTION
1	15458-008	1	Front Panel, Bare
2	15221-009	1	End Panel, Bare
3	15221-008	1	Bottom, Top and Back Panel
4	91977-006	1	45 A. 120 V. Circuit Breaker
5	57030-009	1	25 A. 240 V. Circuit Breaker
6	91286-000	1	15 A. 120 V. Circuit Breaker
7	64045-012	3	3 Hole Mounting Strip
8	64045-002	4	2 Hole Mounting Strip
9	15147-002	1	15 A. 120 V. GFCI Duplex (5-15R)
10	56279-000	1	20 A. 120 V. Receptacle (L5-20R)
11	97360-000	1	30A 120/240 V. Receptacle (L14-30R)
12	54545-000	1	50 A. 120 V. Receptacle (5-50R)

WINGO[®] INC
 A Division of DTF Dyna Technology Inc
 225 South Cordova Avenue
 Le Center MN 56057
 507-357-6831