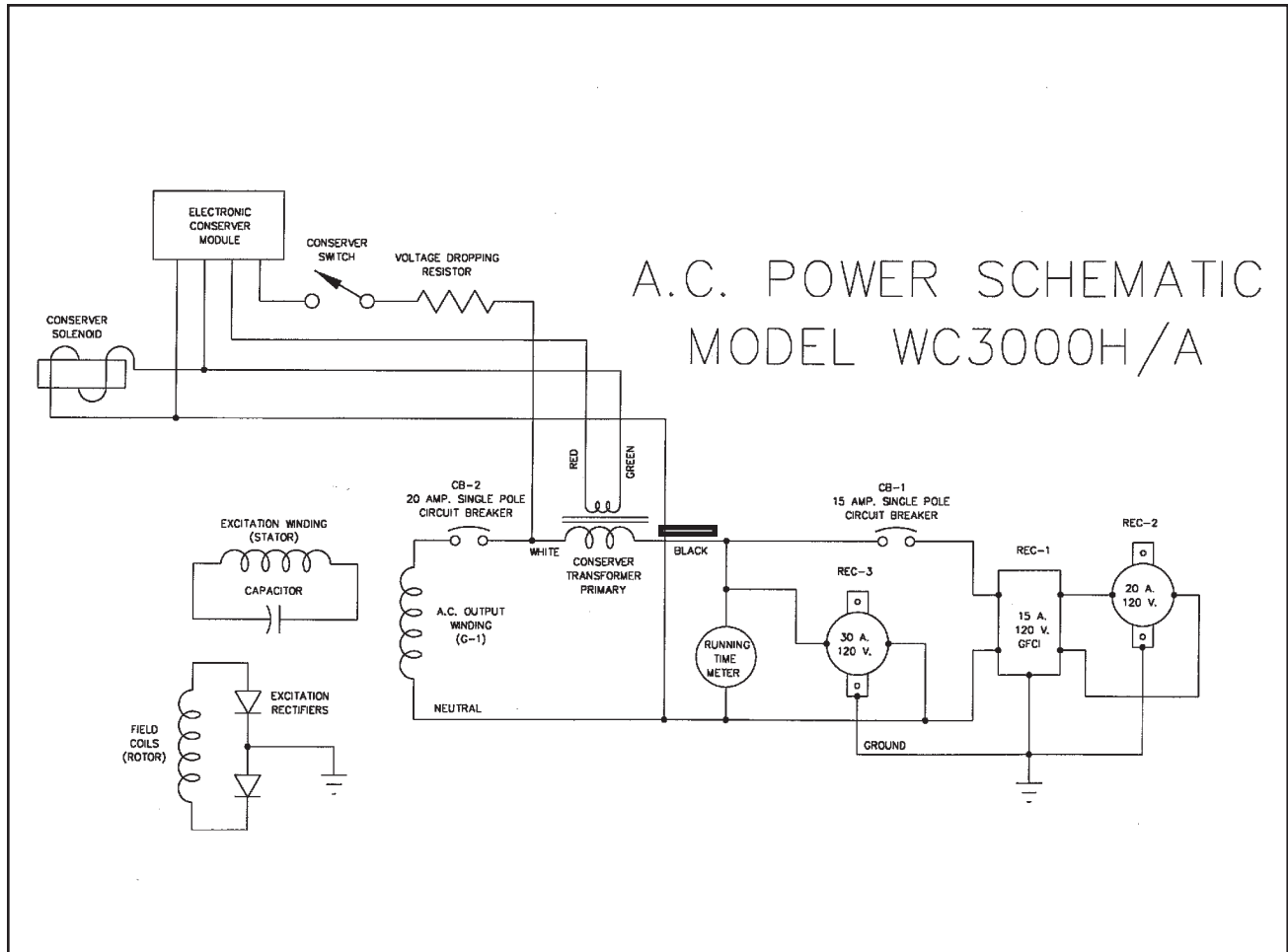


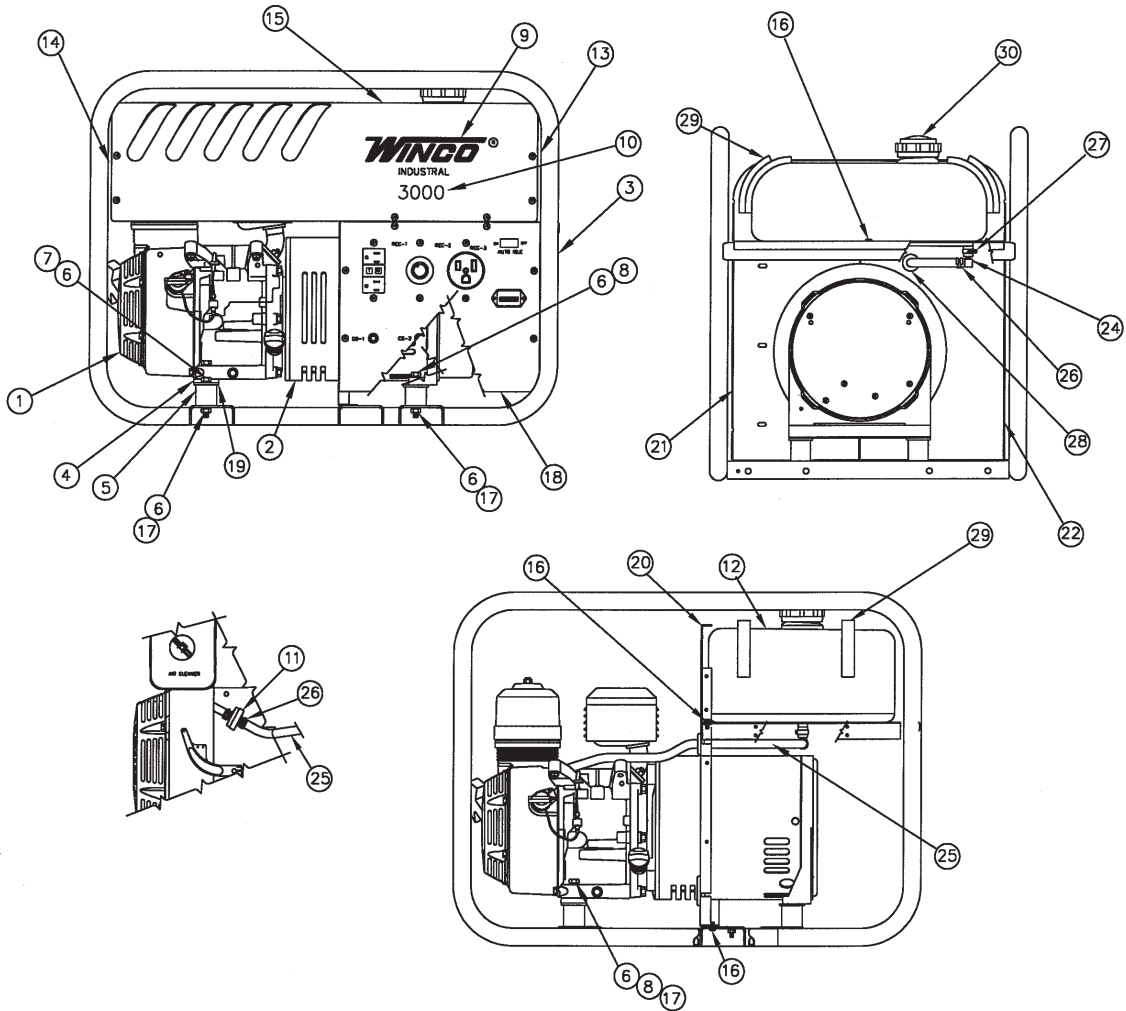
MODEL WC3000H/A



GENERATOR SPECIFICATIONS

| | |
|---------------------|-----------------|
| Rotor | 0.87 Ohms |
| G1 to N | 0.55 Ohms |
| Capacitor Leads | 1.75 Ohms |
| AC Residual Voltage | 7.0 VAC G1 to N |
| Winding Spec. | SS#1530 |
| AC Connection | AC#369 |

COMPLETE UNIT ASSEMBLY

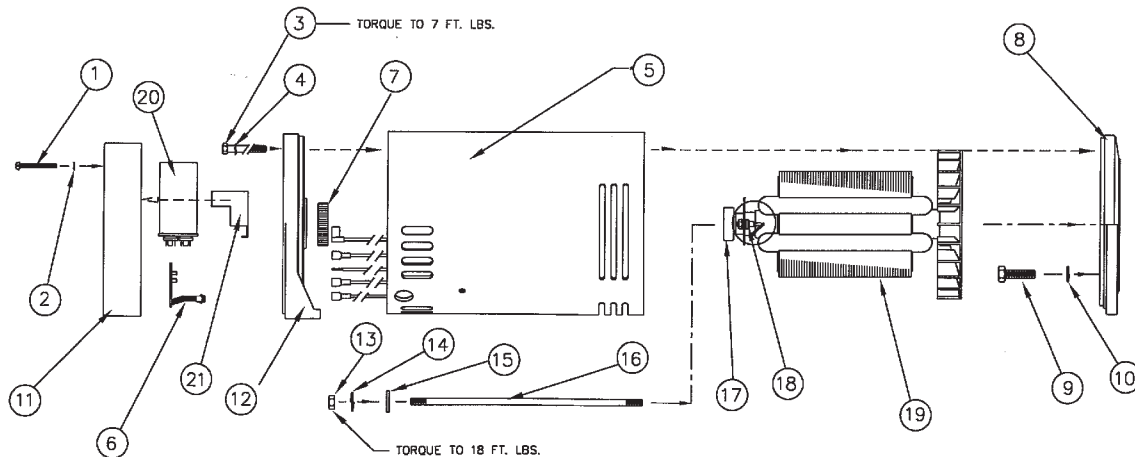


| REF | PART NBR | QTY | DESCRIPTION |
|-----|-----------|-----|--------------------------------|
| 1 | 15250-001 | 1 | Engine GX160 K1 VW12 |
| 2 | 15041-011 | REF | Generator Assembly |
| 3 | 63073-009 | 1 | Cradle Assembly |
| 4 | 15986-001 | 1 | Engine Mounting Bracket |
| 5 | 64062-000 | 4 | Shockmounts |
| 6 | 480-000 | 12 | 5/16 Lockwasher |
| 7 | 467-000 | 2 | 5/16 - 18 X .75 Hex Head Bolt |
| 8 | 9416-000 | 4 | 5/16 - 18 X 1.75 Hex Head Bolt |
| 9 | 64214-042 | 1 | WINCO Industrial, Decal |
| 10 | 15370-003 | 1 | Model, Decal |
| 11 | 62496-000 | 1 | Fuel Filter |
| 12 | 64406-000 | 1 | 3.5 Gallon Fuel Tank |
| 13 | 15144-006 | 1 | Tank Baffle, Generator End |
| 14 | 15144-007 | 1 | Tank Baffle, Engine End |
| 15 | 15227-009 | 1 | Top Cover |
| 16 | 21698-001 | 18 | #10 X 3/8 Self Tapping Screw |
| 17 | 458-000 | 6 | 5/16 - 18 Hex Nut |
| 18 | 16176-005 | REF | Receptacle Box Assembly |
| 19 | 23760-000 | 4 | 1.5 OD X .344 ID Flat Washer |
| 20 | 15462-010 | 1 | Fuel Tank Tray |

COMPLETE UNIT ASSEMBLY CONTINUED

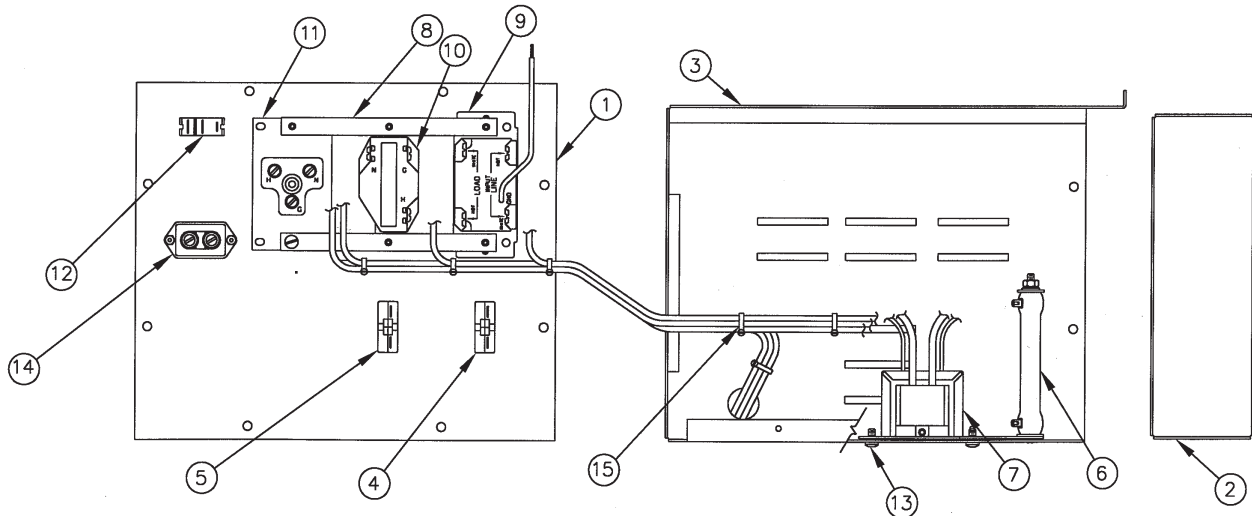
| REF | PART NBR | QTY | DESCRIPTION |
|-----|-----------|-----|--------------------------|
| 21 | 15223-012 | 1 | Left Tank Support Panel |
| 22 | 15222-012 | 1 | Right Tank Support Panel |
| 24 | 56879-000 | 1 | Elbow |
| 25 | 40078-000 | 26" | Fuel Line |
| 26 | 62999-001 | 2 | Fuel Hose Clamp |
| 27 | 81018-008 | 1 | Clamp |
| 28 | 56927-000 | 1 | Grommet |
| 29 | 64101-000 | 48" | 3/8 x 3/4 Foam |
| 30 | 15482-000 | 1 | Fuel Tank Cap |

GENERATOR ASSEMBLY



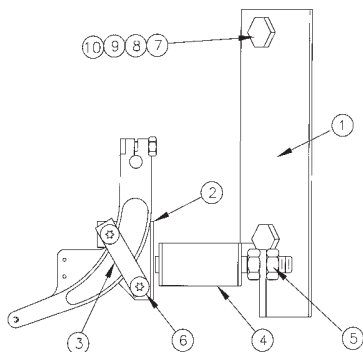
| REF | PART NBR | QTY | DESCRIPTION |
|-----|-----------|-----|-------------------------------|
| 1 | 15013-001 | 1 | #10 -32 X 1.75 Pan Screw |
| 2 | 21975-000 | 1 | #10 Lockwasher |
| 3 | 15530-002 | 4 | 1/4 - 20 Special Stud |
| 4 | 479-000 | 4 | 1/4 Lockwasher |
| 5 | 15093-000 | 1 | Stator Assembly Complete |
| 6 | 15110-000 | 1 | Conserver® Module |
| 7 | 15122-000 | 1 | Tolerance Ring |
| 8 | 15053-001 | 1 | Engine End Bracket |
| 9 | 91547-000 | 4 | 5/16 - 24 X 1.0 Hex Head Bolt |
| 10 | 480-000 | 4 | 5/16 Lockwasher |
| 11 | 15106-000 | 1 | End Cover Bare |
| 12 | 15156-001 | 1 | Bearing Bracket |
| 13 | 15193-000 | 1 | 5/16 - 24 Hex Nut |
| 14 | 480-001 | 1 | 5/16 Lockwasher |
| 15 | 23558-000 | 1 | 11/32 X 1 1/8 Flat Washer |
| 16 | 23197-007 | 1 | Thru Bolt |
| 17 | 55223-000 | 1 | Bearing |
| 18 | 15047-001 | 1 | Diode (STD) |
| 19 | 15045-003 | 1 | Rotor Complete |
| 20 | 15051-000 | 1 | Capacitor |
| 21 | 15088-000 | 1 | Capacitor Strap |

RECEPTACLE PANEL ASSEMBLY



| REF | PART NBR | QTY | DESCRIPTION |
|-----|-----------|-----|-------------------------------------|
| 1 | 15458-009 | 1 | Front Panel, Bare |
| 2 | 15221-010 | 1 | End Panel |
| 3 | 15221-011 | 1 | Bottom, Top, Back Panel |
| 4 | 91286-000 | 1 | 15 A. 120 V. Circuit Breaker |
| 5 | 91286-001 | 1 | 20 A. 120 V. Circuit Breaker |
| 6 | 48583-000 | 1 | Resistor, 50 W. 150 Ohms |
| 7 | 54196-000 | 1 | Transformer |
| 8 | 64045-006 | 2 | 3 Hole Mounting Strap |
| 9 | 15147-002 | 1 | 15 A. 120 V. GFCI Duplex (5-15R) |
| 10 | 56279-000 | 1 | 20 A. 120 V. Receptacle (L5-20R) |
| 11 | 62725-000 | 1 | 30 A. 120 V. Receptacle (5-30R) |
| 12 | 64089-000 | 1 | S.P.S.T. Rocker Switch (Conserver®) |

CONSERVER® ASSEMBLY



| REF | PART NBR | QTY | DESCRIPTION |
|-----|-----------|-----|-------------------------------|
| 1 | 15412-000 | 1 | Conserver® Mounting Bracket |
| 2 | 15411-000 | 1 | Conserver® Lever |
| 3 | 15473-000 | 1 | Clamp |
| 4 | 15182-000 | 1 | Magnet |
| 5 | 44894-000 | 2 | 5/16 - 24 Jam Nut |
| 6 | 21698-001 | 2 | #10 X 3/8 Self Tapping Screw |
| 7 | 95281-000 | 2 | 1/4 - 20 X 1.25 Hex Head Bolt |
| 8 | 479-000 | 2 | 1/4 Lockwasher |
| 9 | 512-000 | 2 | 1/4 Flat Washer |
| 10 | 638-000 | 2 | 1/4 -20 Hex Nut |

WINGCO® INC
A Division of DTE Dyna Technology Inc

225 South Cordova Avenue
Le Center MN 56057
507-357-6831