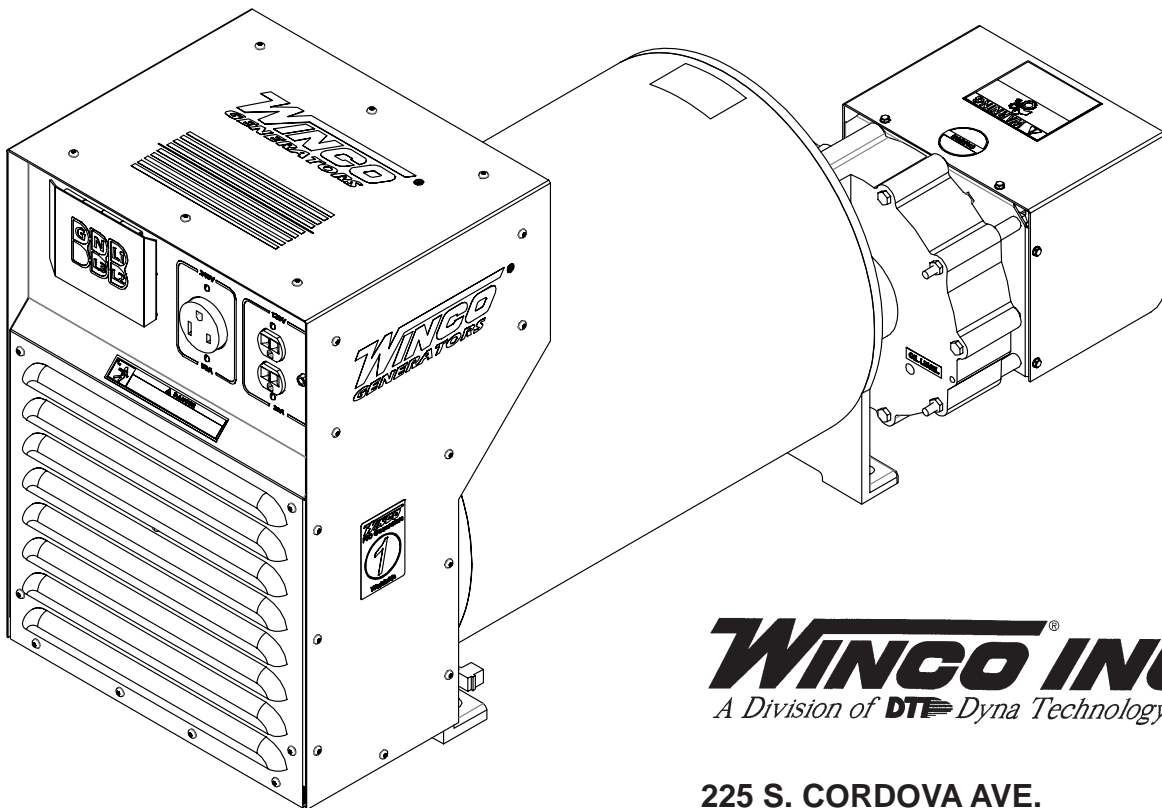


WINGO[®] INC

*A Division of **DTE** Dyna Technology Inc*

ILLUSTRATED PARTS LIST

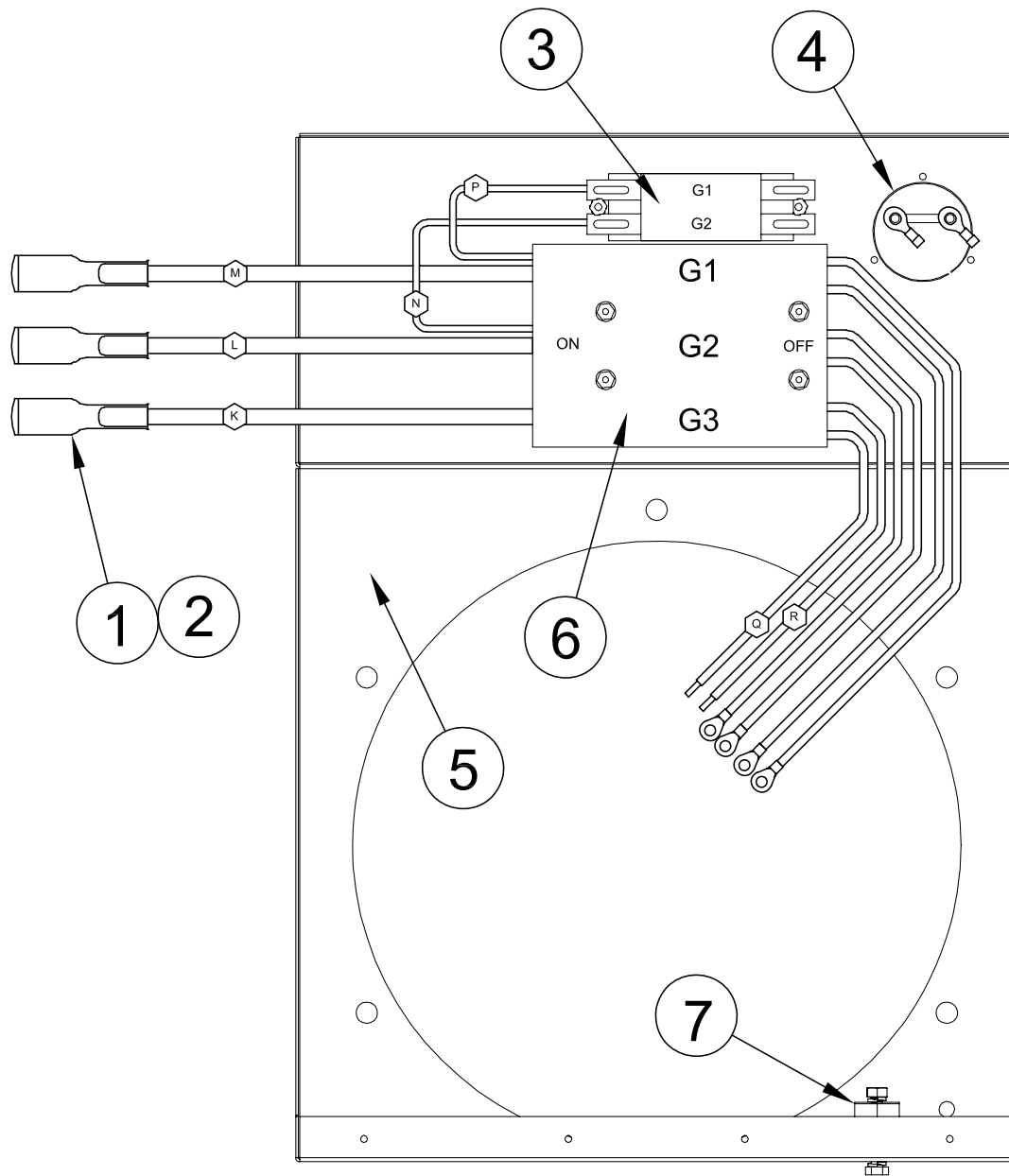
75FPTOC-4/E 75FPTOC-17/E



WINGO[®] INC
*A Division of **DTE** Dyna Technology Inc*

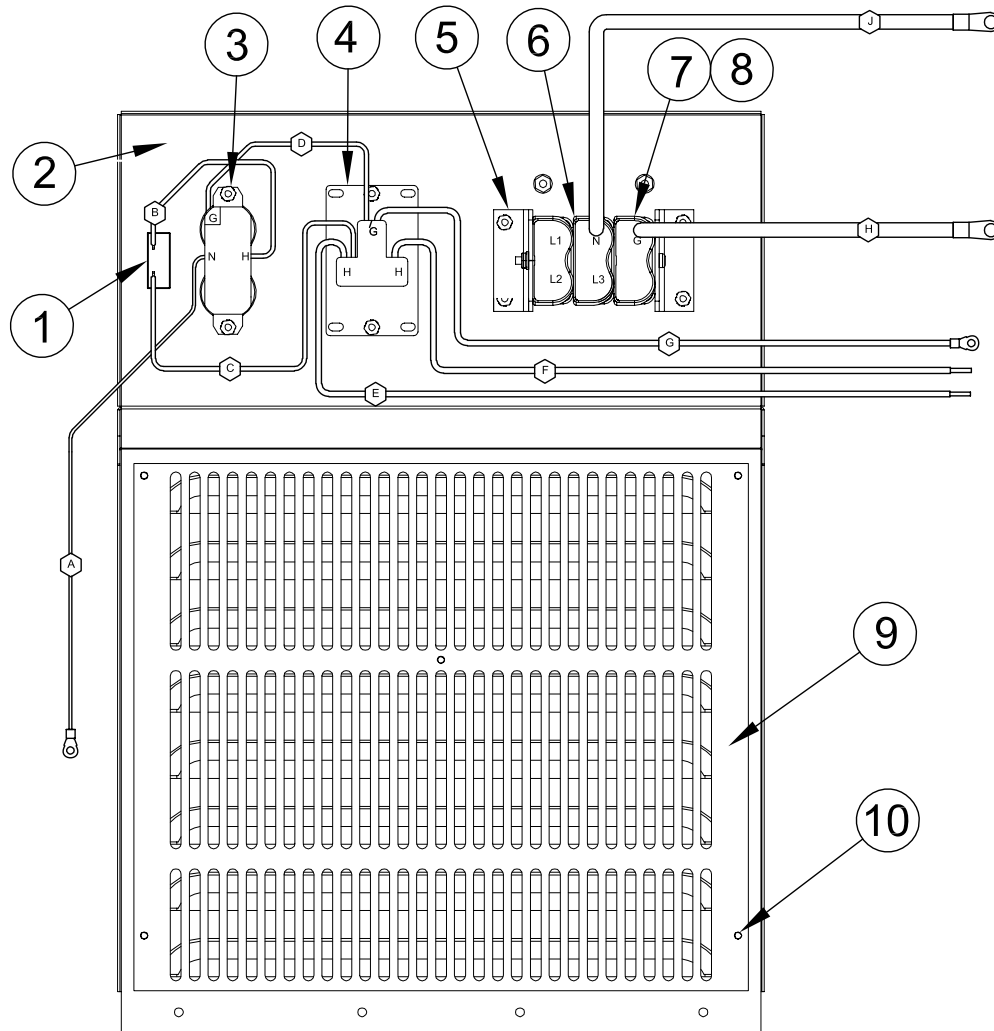
225 S. CORDOVA AVE.
LECENTER, MN 56057
507-357-6821
SERVICE DEPT.
507-357-6831

BREAKER PANEL ASSEMBLY



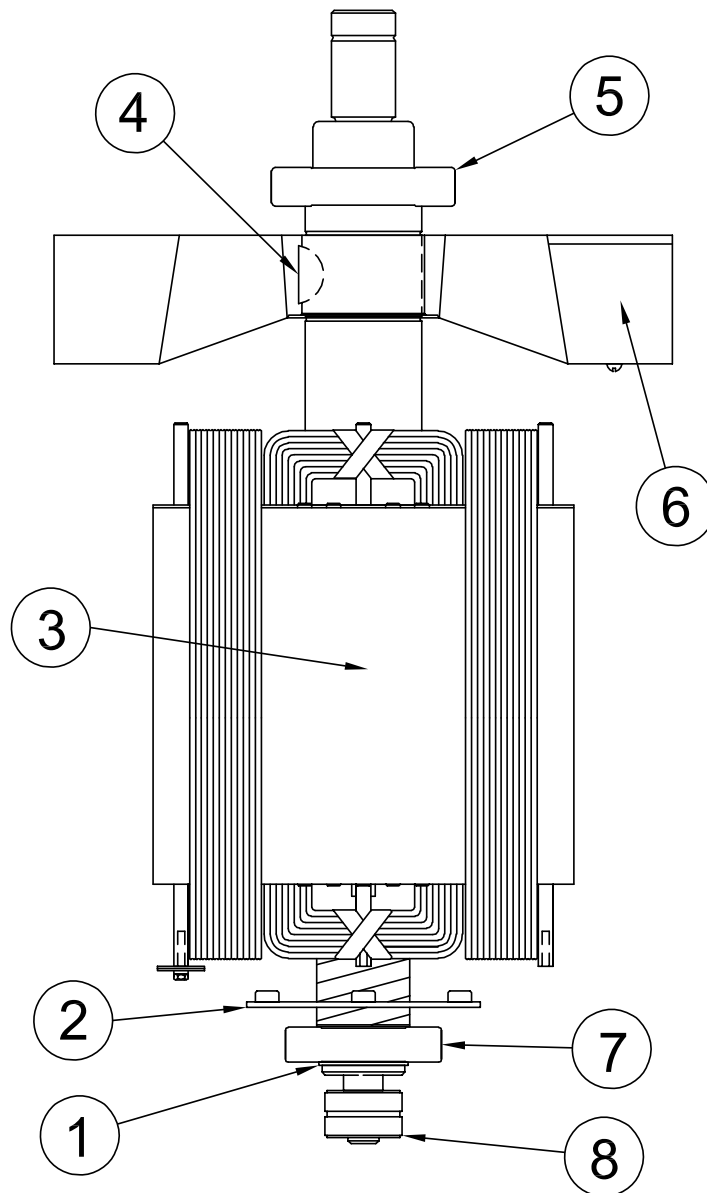
REF #	PART NUMBER	QTY	DESCRIPTION
1	EE23325	3	1/0 AWG Contact
2	EE23302	3	#2 to 1/0 AWG Bushing
3	57030-000	1	50A 2-Pole Circuit Breaker
4	91370-000	1	Voltmeter, -17 model
4	91374-000	1	Voltmeter, -4 model
5	91371-404	1	CB Panel, -17 model
5	91371-401	1	CB Panel, -4 model
6	81096-005	1	200A 3-Pole Circuit Breaker
7	94378-000	1	Stand-Off Insulator

RECEPTACLE PANEL ASSEMBLY



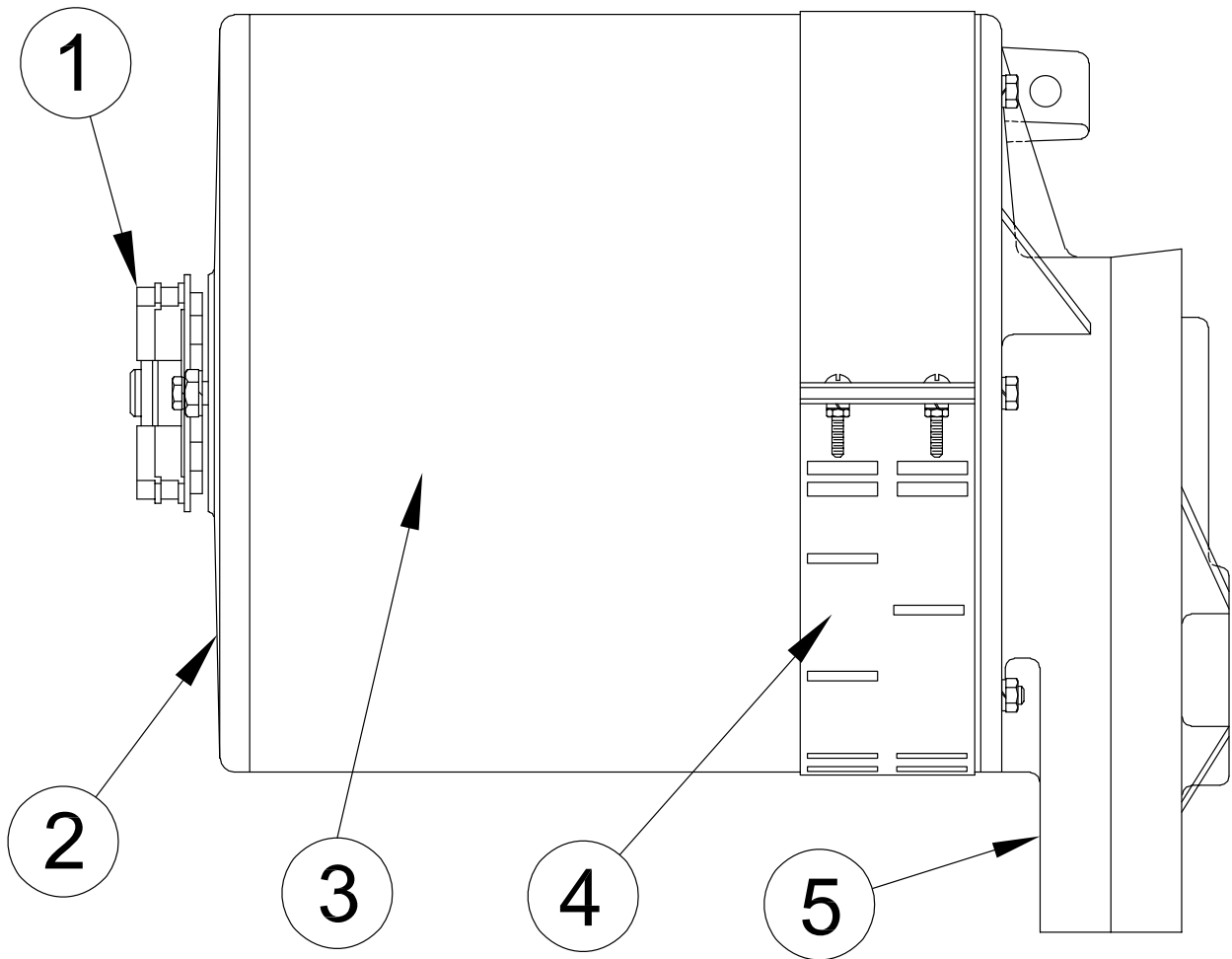
REF #	PART NUMBER	QTY	DESCRIPTION
1	91286-001	1	20A 1-Pole Circuit Breaker
2	61136-403	1	Receptacle Panel
3	50766-000	1	NEMA 5-20R Receptacle
4	57325-000	1	NEMA 6-50R Receptacle
5	300117-1	2	Connector Support
6	EE2331	3	350A Housing
7	EE23325	2	1/0 AWG Contact
8	EE23302	2	# 2 AWG Bushing
9	91246-005	1	Panel Screen
10	21698-001	5	# 10 Torx Screw
NI	G72136	1	Receptacle Cover Assembly
NI	Not Illustrated		

COMPLETE ROTOR ASSEMBLY



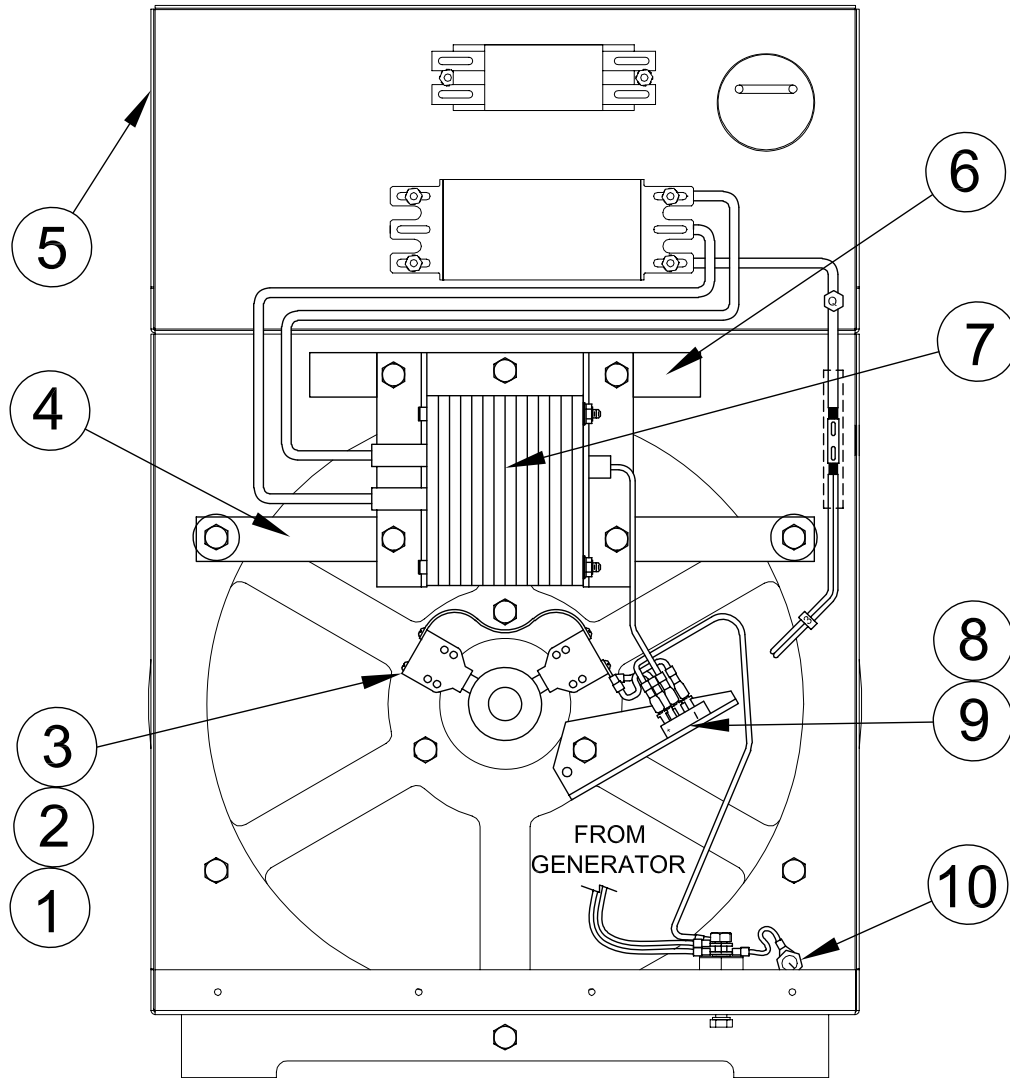
REF #	PART NUMBER	QTY	DESCRIPTION
1	91238-000	1	Retaining Ring
2	91196-000	1	Retainer Ring Assembly
3	91304-000	1	Complete Rotor Assy. Includes Bearings & Fan
4	91158-000	1	Woodruff Key
5	91112-000	1	Bearing
6	91101-000	1	Impellor (Fan)
7	91111-000	1	Bearing
8	55088-000	1	Slip Rings
NI	91136-000	1	Retainer Ring for Fan
NI	Not Illustrated		

STATOR & GEAR CASE ASSEMBLY



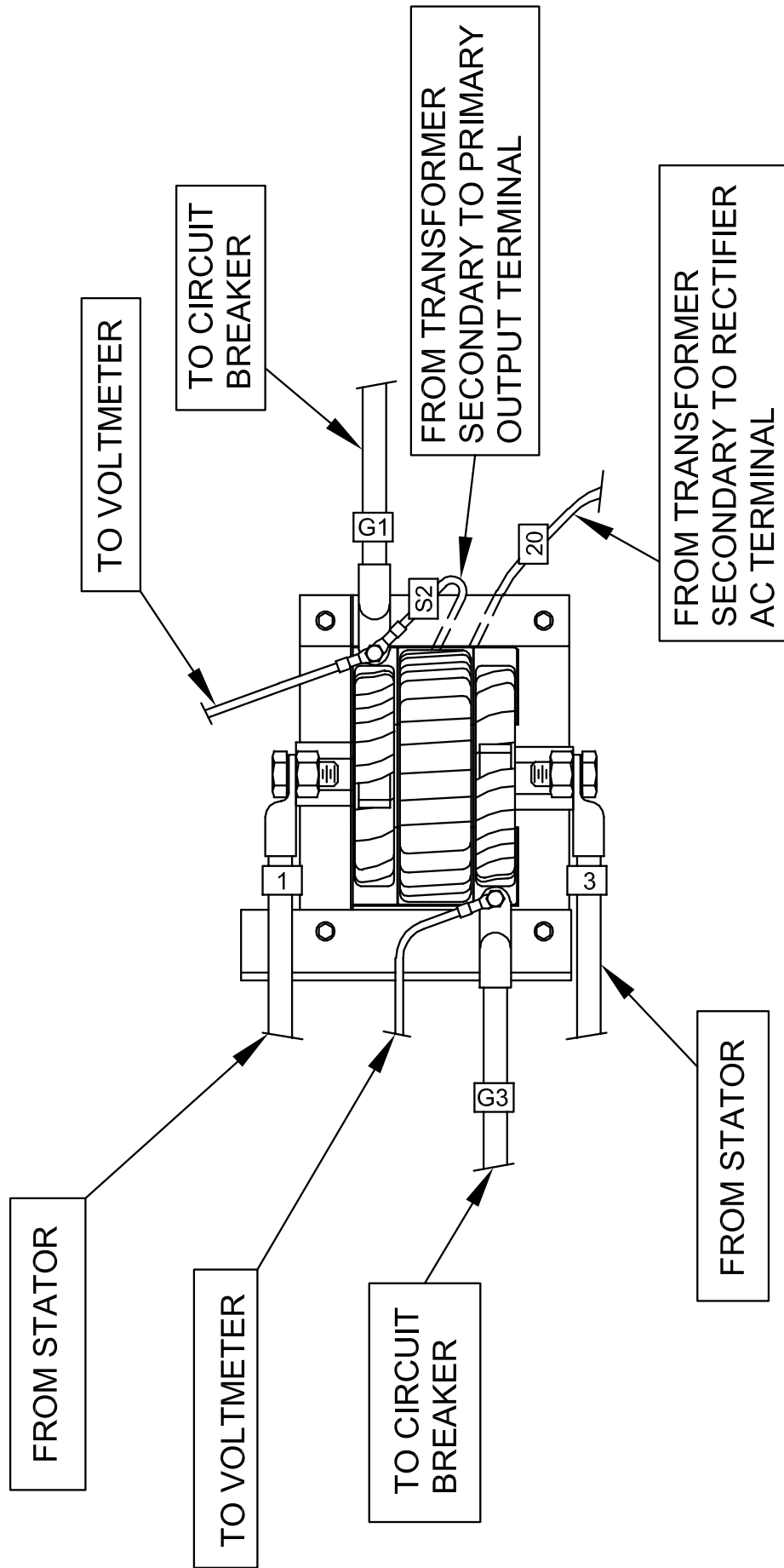
REF #	PART NUMBER	QTY	DESCRIPTION
1	91251-000	1	Brush Holder Assembly
2	91212-000	1	End Bracket
3	91293-001	1	Complete Stator Assembly Model 75FPTOC-17/E
3	91293-002	1	Complete Stator Assembly Model 75FPTOC-4/E
4	91337-000	1	Cooling Air Screen
5	Reference	1	Gear Box Assembly
NI	91137-000	1	Eye Bolt
NI	Not Illustrated		

TRANSFORMER ASSEMBLY

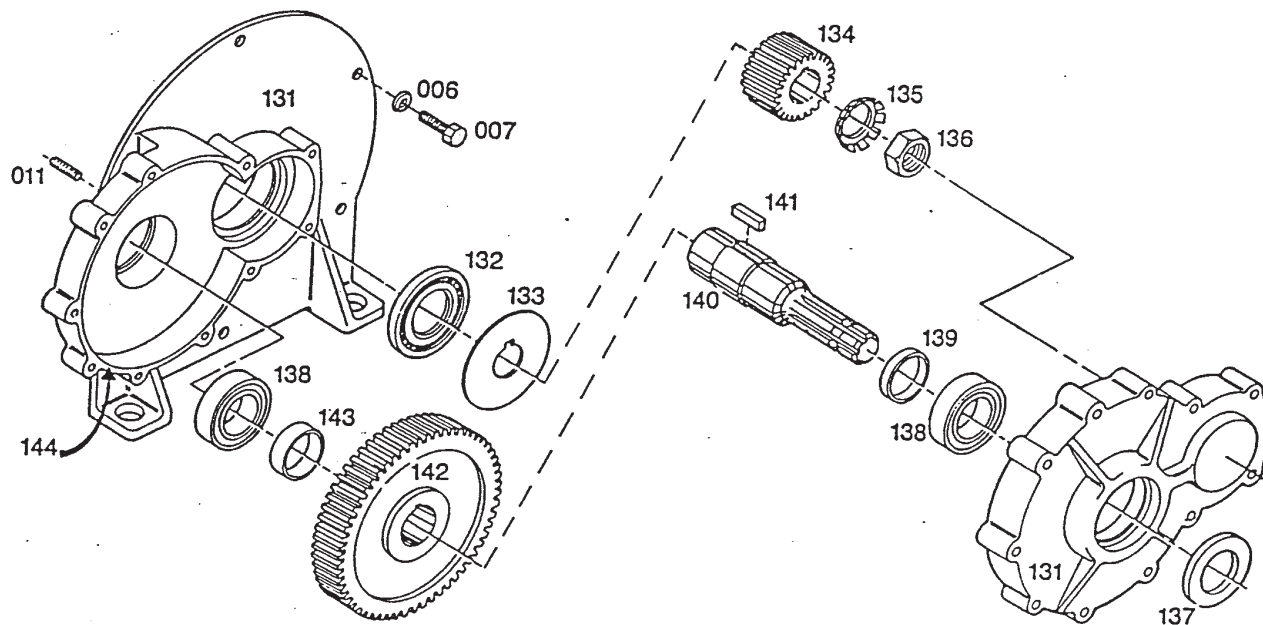


REF #	PART NUMBER	QTY	DESCRIPTION
1	23607-000	4	AC Brush
2	59690-000	4	AC Brush Holder
3	41378-013	2	Copper Strap
4	91436-000	1	Strap
5	91174-402	1	Cover
6	91400-000	1	Strap
7	91397-000	1	Transformer (75FPTOC-4/E)
7	91397-002	1	Transformer (75FPTOC-17/E)
8	91179-000	1	Bracket
9	91452-000	1	Bridge Rectifier
10	48043-000	1	Ground Lug
NI	15750-001	1	Ground Decal
NI	Not Illustrated		

TRANSFORMER CONNECTIONS

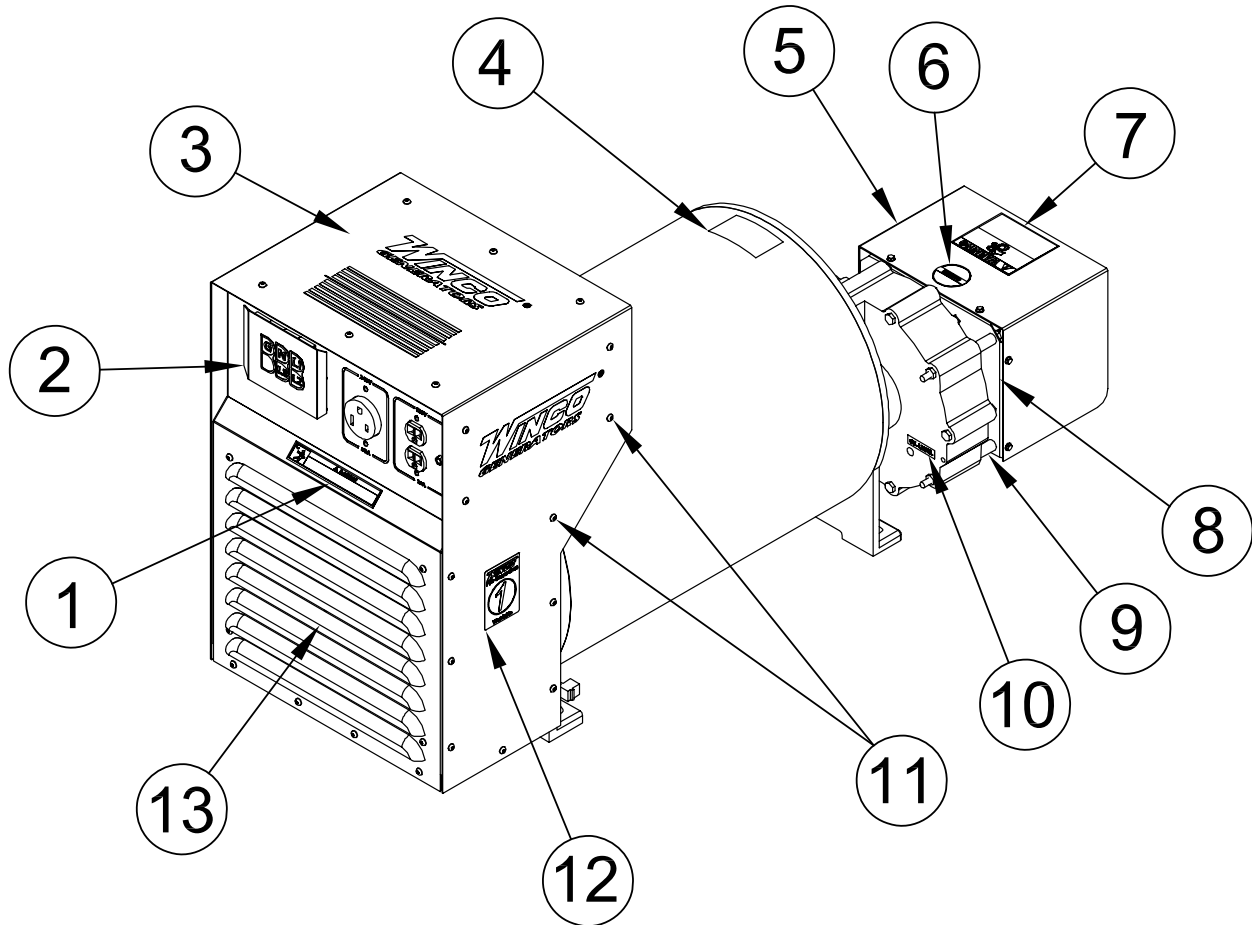


GEAR BOX ASSEMBLY



REF #	PART #	QTY	DESCRIPTION
006	90570-000	4	Lock Washer
007	91256-000	4	Cap Screw
011	91138-000	2	Stud
131	91103-400	1	Support & Cover
132	91116-000	1	Seal (Rotor Shaft)
133	91345-000	1	Slinger
134	91224-000	1	Gear (1000 rpm pinion)
135	91289-000	1	Lock Washer
136	91290-000	1	Nut
137	91247-000	1	Seal (Cover)
138	91111-000	2	Bearing
139	91108-001	1	Spacer (Front)
140	91344-000	1	Shaft
141	91117-000	1	Key
142	91248-000	1	Gear (1000 rpm input)
143	91108-002	1	Spacer (Rear)
144	91104-000	1	Gasket
NI	40716-000	1	Breather
NI	Not Illustrated		

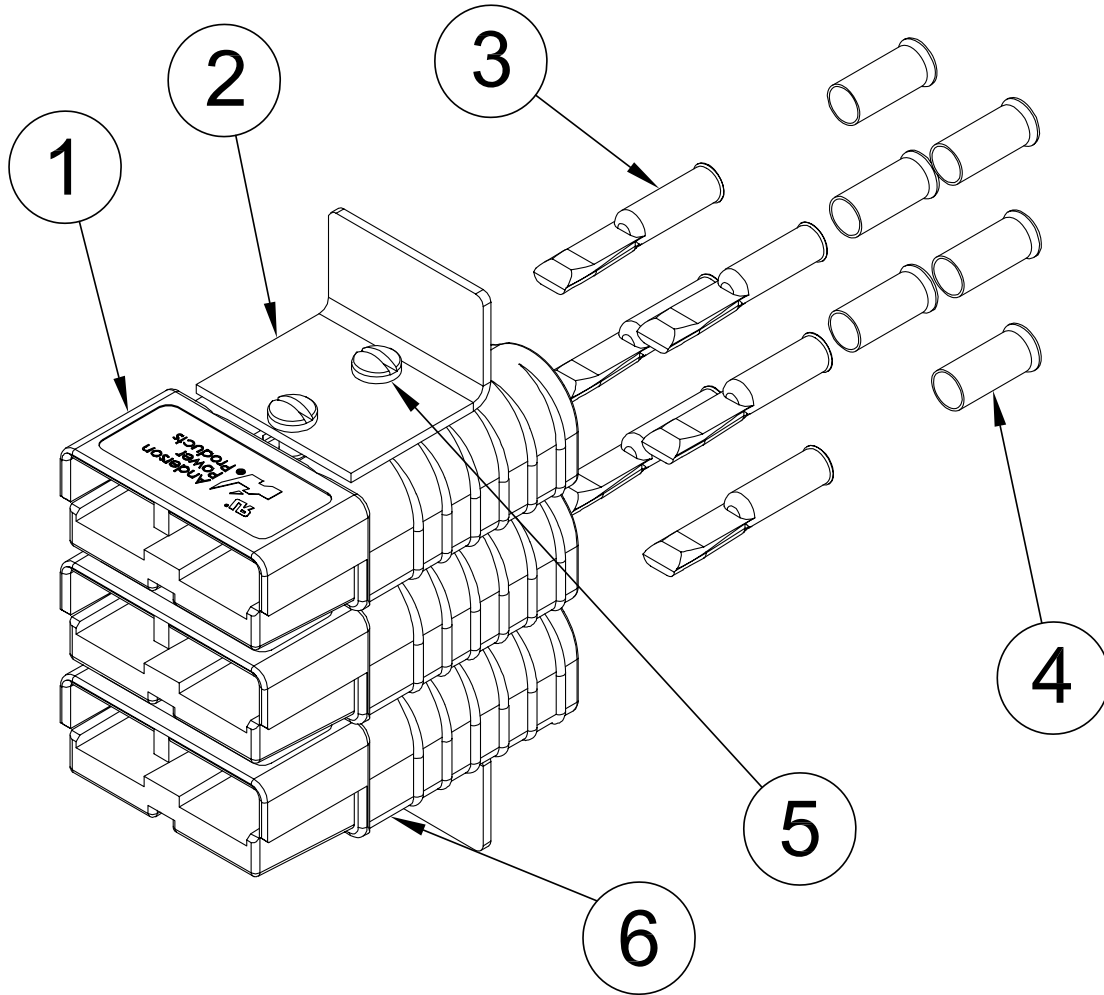
COMPLETE UNIT ASSEMBLY



REF #	PART NUMBER	QTY	DESCRIPTION
1	15209-003	1	Electric Shock Decal
2	G72136	1	Hinged Cover
3	91174-402	1	Cover
4	91369-001	1	1000 RPM Decal
5	91171-000	1	Shield
6	52077-000	1	Oil Level Decal
7	64515-000	1	PTO Warning Decal
8	91170-000	1	Shield Bracket
9	62825-004	4	Spacer
10	16303-000	1	Oil Level Decal
11	21698-001	Ref	# 10 Torx Screw
12	98479-000	2	Winco # 1 Decal
13	61136-403	1	Receptacle Panel
NI	40716-000	1	Breather
NI	643-000	1	3/8" Pipe Plug
NI	644-000	1	1/8" Pipe Plug
NI	Not Illustrated		

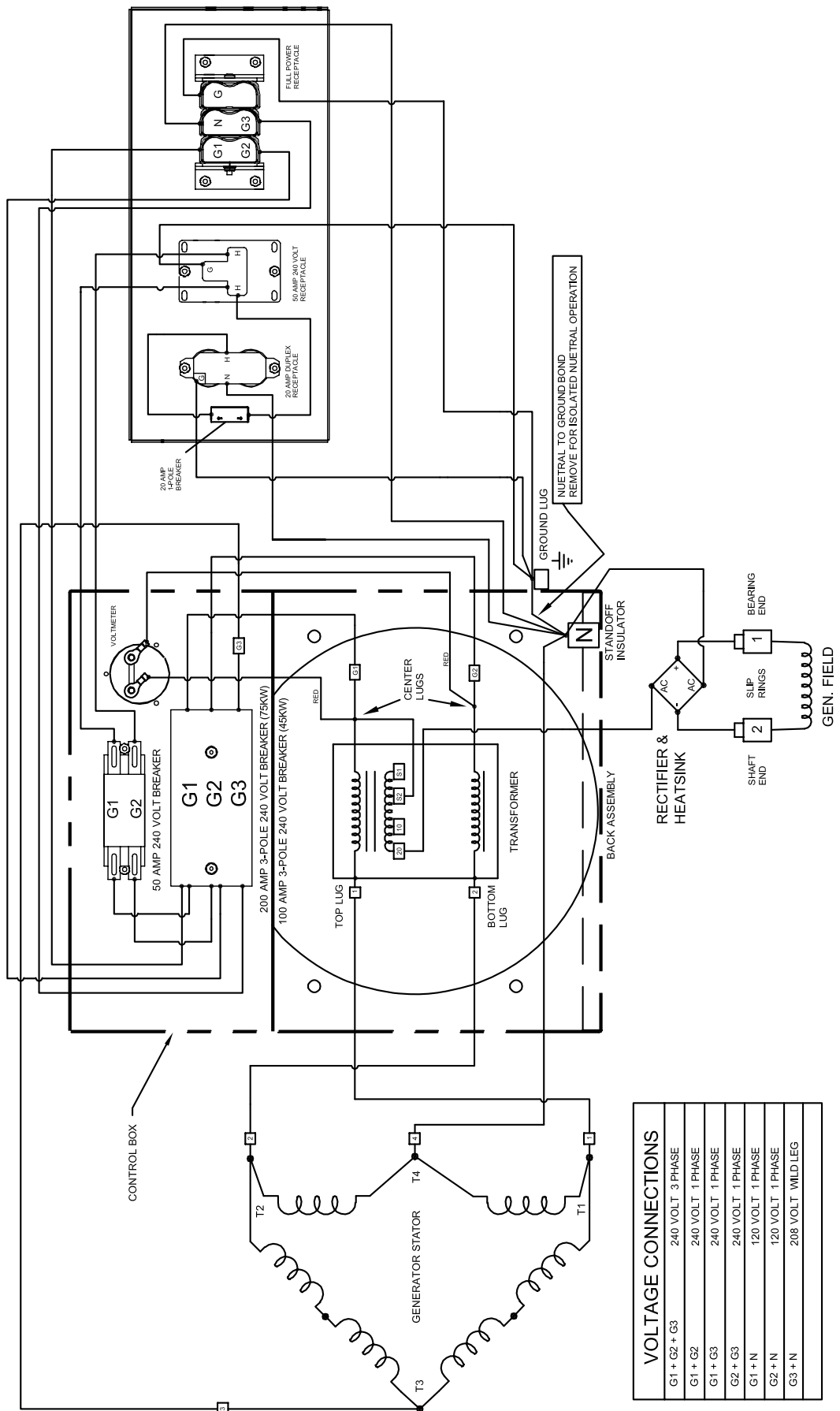
PLUG KIT ASSEMBLY

91861-004



REF #	PART NUMBER	QTY	DESCRIPTION
1	EE2331	3	350A Housing
2	300118-1	2	Handle
3	EE23325	6	1/0 AWG Contact
4	EE23301	6	# 1 to 1/0 AWG Bushing
5	92934-000	2	1/4"-20 X 4.5" Bolt
6	16248-000	2	1/4"-20 Flange Nut

WIRING DIAGRAM 75FPTOC-17/D



VOLTAGE CONNECTIONS	
G1 + G2 + G3	240 VOLT 3-PHASE
G1 + G2	240 VOLT 1-PHASE
G1 + G3	240 VOLT 1-PHASE
G2 + G3	240 VOLT 1-PHASE
G1 + N	120 VOLT 1-PHASE
G2 + N	120 VOLT 1-PHASE
G3 + N	208 VOLT WILD LEG

