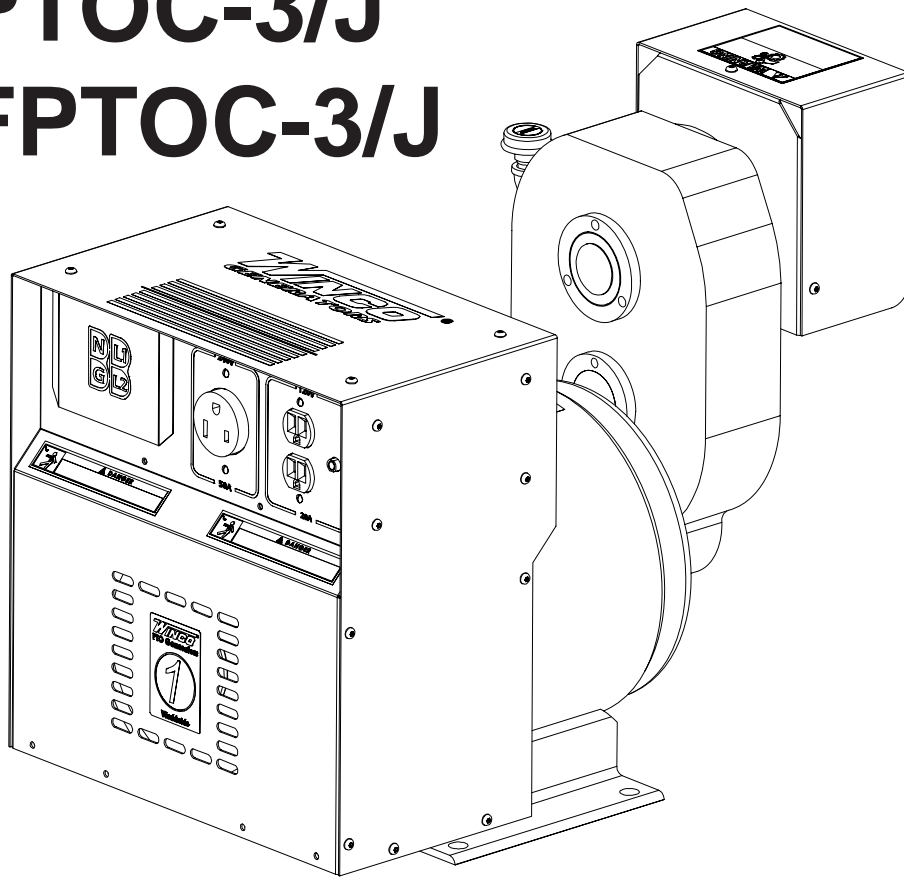


# **WINCO INC**<sup>®</sup>

*A Division of **DTE** Dyna Technology Inc*

## **ILLUSTRATED PARTS LIST**

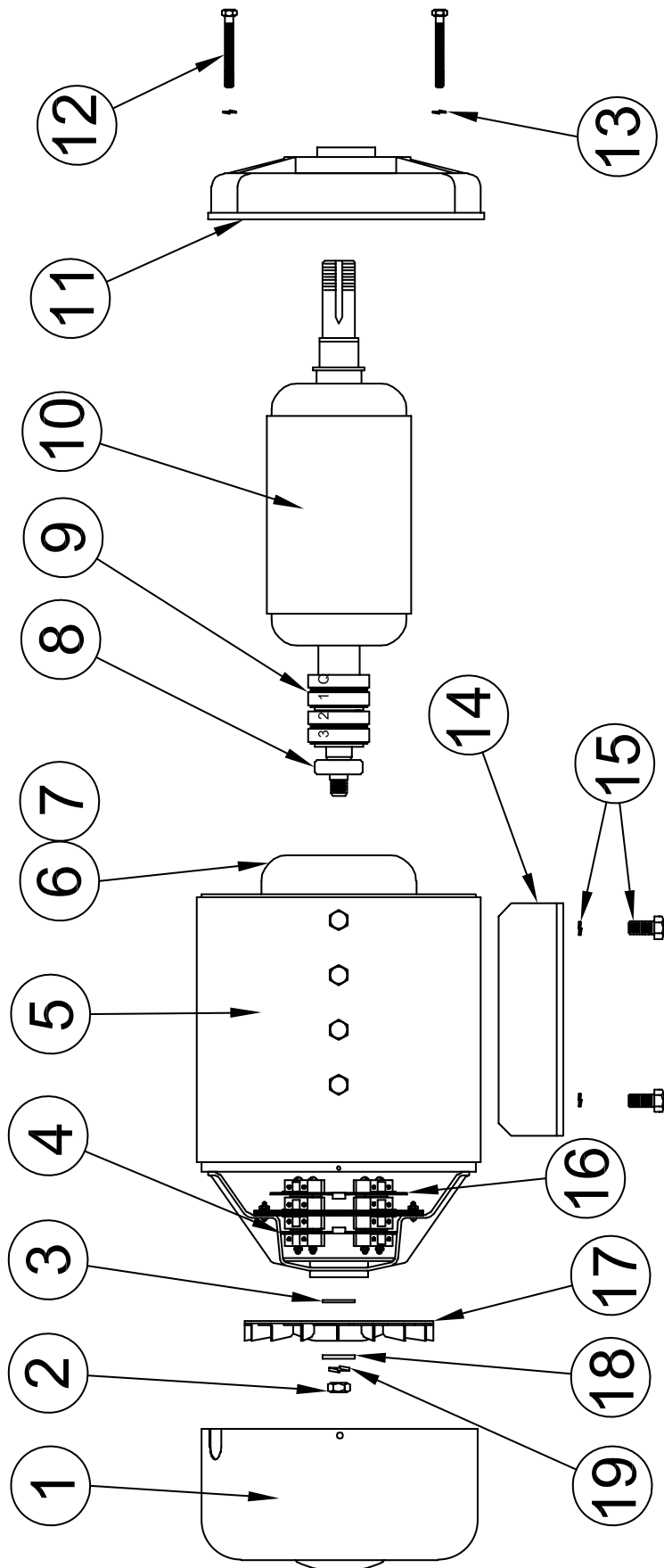
### **25PTOC-3/J 25FPTOC-3/J**



**WINCO INC**<sup>®</sup>  
*A Division of **DTE** Dyna Technology Inc*

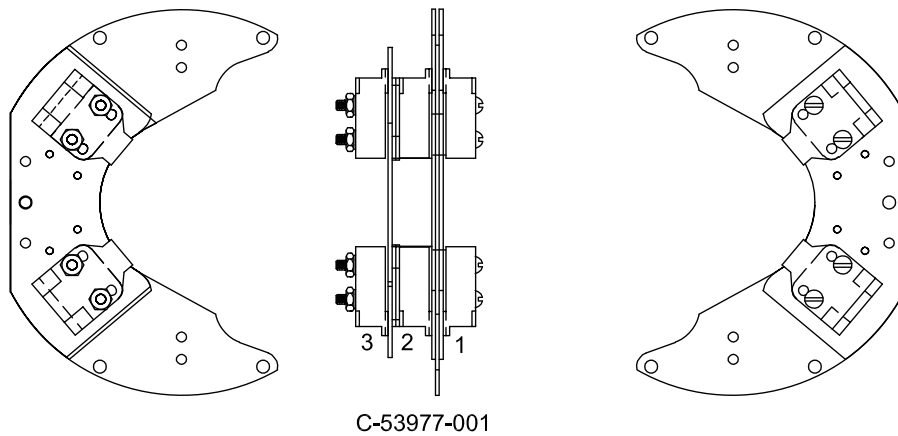
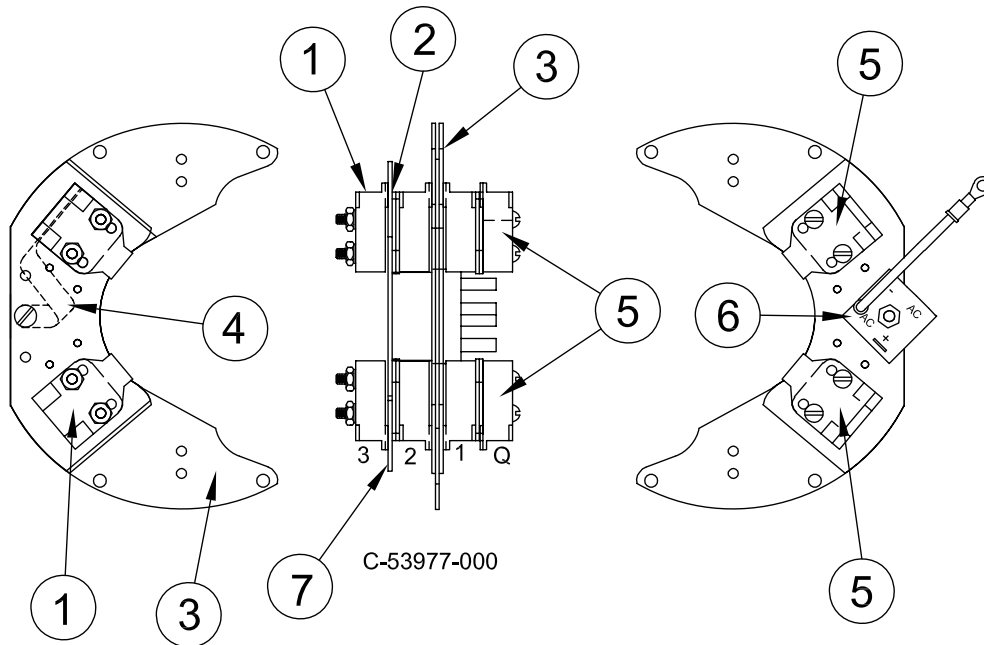
225 S. CORDOVA AVE.  
LECENTER, MN 56057  
507-357-6821  
SERVICE DEPT.  
507-357-6831

# GENERATOR ASSEMBLY



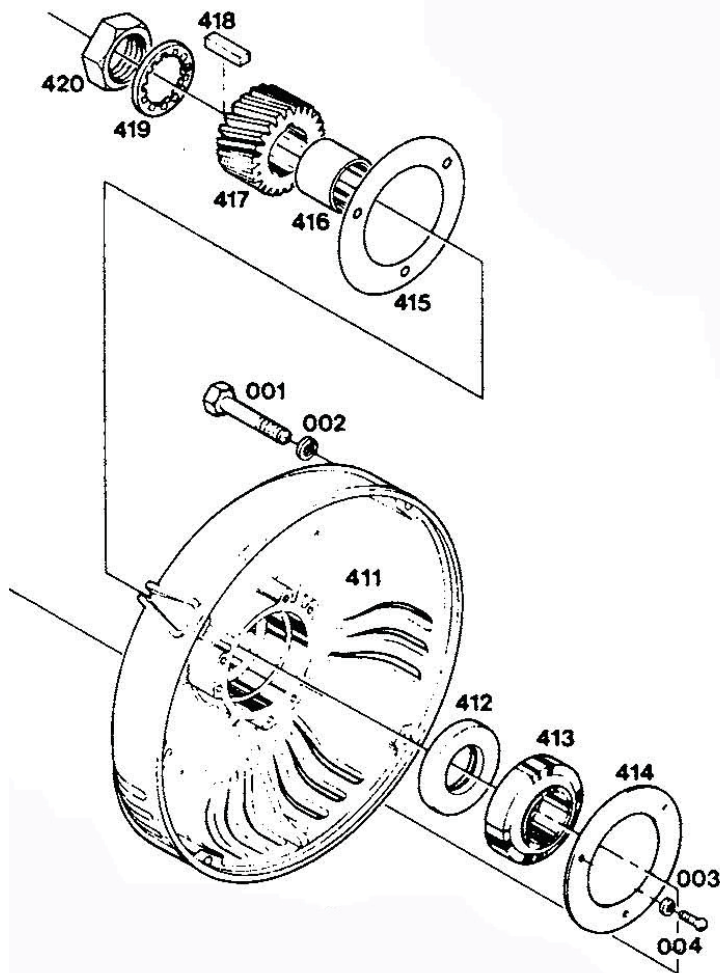
REF #	PART NUMBER	QTY	DESCRIPTION
1	55007-000	1	End Cover
2	9549-000	1	½" X 20 Nut (Torque to 50 ft. lbs.)
3	40552-000	1	Lock Washer
4	24981-000	12	AC Brush
5	61153-000	1	Field Ring & Bracket Assy
6	52563-001	1	Field Coil (right side, looking from brush assembly end)
7	52563-000	1	Field Coil (left side, looking from brush assembly end)
8	50215-000	1	Bearing
9	44315-000	2	Slip ring
10	52497-001	1	Armature Assembly
11	53510-001	1	End Bracket Assembly
12	51101-000	4	Bolt
13	636-000	2	Lock Washer
14	51147-000	1	Base Assembly
15	48178-000	2	Bolt
16	53949-000	2	"Q" Brush
17	23404-000	1	Fan
18	21867-000	1	Flat Washer
19	20039-000	1	Lock Washer
NI	43474-000	2	Pole Shoe Retainer
NI	43473-000	2	Pole Shoe
NI	Not Illustrated		

# BRUSH HOLDER & RACK ASSEMBLY



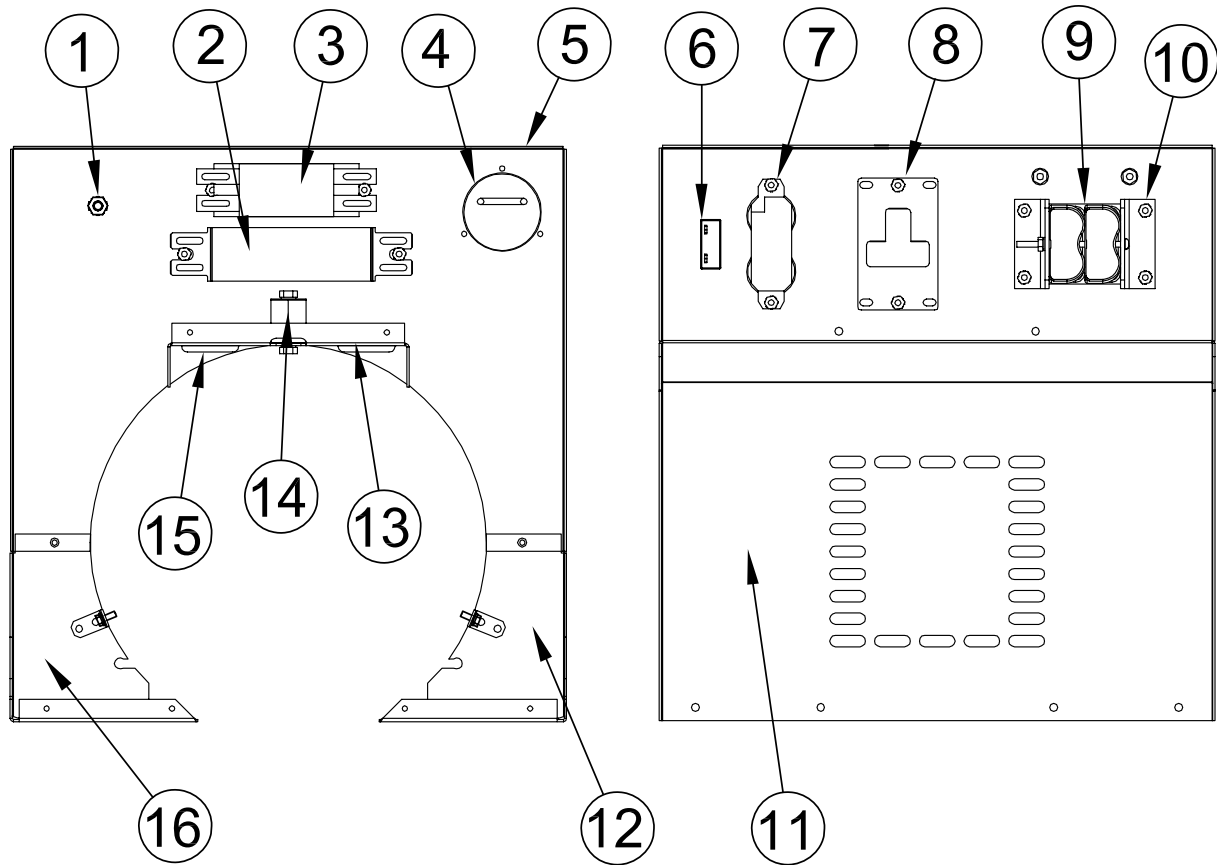
REF #	PART NUMBER	QTY	DESCRIPTION
1	23500-002	12	AC Brush Holder
2	23532-000	12	Fiber Spacer
3	53975-000	6	Brush Holder Mounting Plate
4	41387-001	1	Ground Strap
5	23500-000	2	"Q" Brush Holder
6	53976-000	1	Bridge Rectifier
7	52559-000	2	Brush Holder Spacer
NI	24981-000	12	AC Brush
NI	53949-000	2	"Q" Brush
NI	Not Illustrated		

# END BRACKET ASSEMBLY



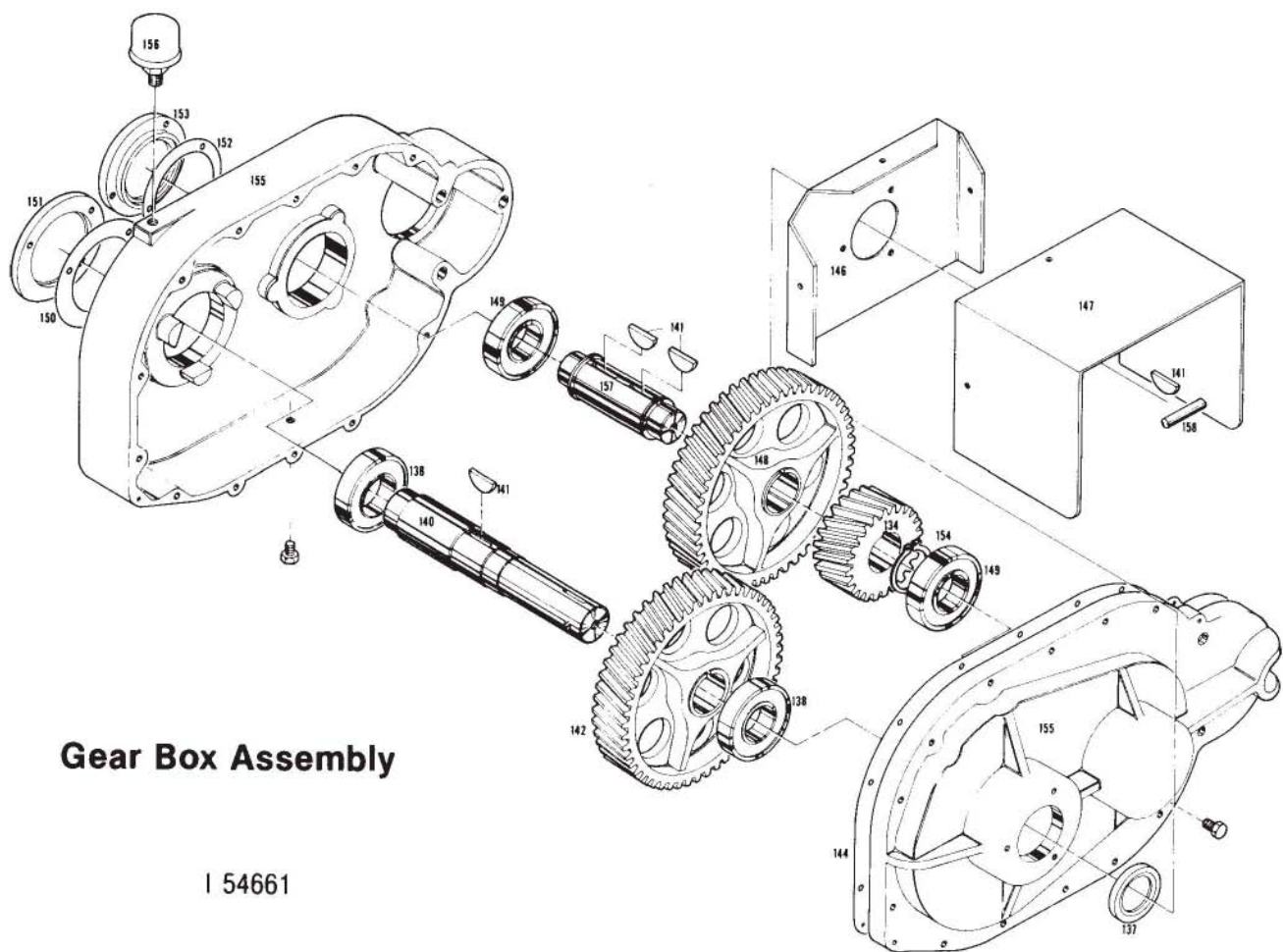
REF #	PART NUMBER	QTY	DESCRIPTION
001	51101-000	4	Bolt
002	480-000	4	Lock Washer
003	479-000	3	Lock Washer
004	45633-000	3	Machine Screw
411	51046-002	1	End Bracket
412	46912-000	1	Oil Seal
413	46913-000	1	Bearing
414	44318-000	1	Retainer Plate
415	20136-000	1	Gasket
416	20137-000	1	Spacer
417	46545-000	1	Pinion Gear
418	20159-000	1	Key
419	20139-000	1	Lock Washer
420	20160-000	1	Hex Jam Nut

# CONTROL PANEL ASSEMBLY



REF #	PART NUMBER	QTY	DESCRIPTION
1	48043-000	1	Ground Lug
2	58805-004	1	100 Amp 240 Volt Breaker
3	57030-000	1	50 Amp 240 Volt Breaker
4	91370-000	1	Voltmeter
5	61111-002	1	Circuit Breaker Panel
6	91286-001	1	20 Amp Breaker
7	24749-000	1	Duplex Receptacle
8	57325-000	1	NEMA 6-50R Receptacle
9	EE2327	2	175 Amp Housing
10	300117-1	2	Connector Support
11	61110-003	1	Receptacle Panel
12	61216-010	1	Bottom Assembly
13	60951-001	1	Saddle
14	94378-000	1	Stand-Off Insulator
15	16302-000	2	Grommet
16	61216-009	1	Bottom Assembly

# GEAR BOX ASSEMBLY



**Gear Box Assembly**

I 54661

REF #	DESCRIPTION	QTY	540 RPM PART #	1000 RPM PART #
130	Gear Box Assembly	1	54661-400	54661-401
134	Pinion Gear	1	46547-000	44833-000
137	Seal	1	20029-000	20029-000
138	Bearing	2	64562-000	64562-000
140	Shaft (Input Drive)	1	46296-000	46296-000
141	Woodruff Key	4	1774-000	1774-000
142	Gear (Input Drive)	1	46548-000	46546-000
144	Gasket (Cover)	1	20016-000	20016-000
146	Backing Plate	1	53331-001	53331-001
147	Safety Shield	1	53332-001	53332-001
148	Gear (Driven)	1	46546-000	46546-000
149	Bearing	2	54665-000	54665-000
150	Gasket	1	46299-000	46299-000
151	Retainer	1	46295-000	46295-000
152	Gasket	1	46298-000	46298-000

153	Retainer	1	46286-000	46286-000
154	Snap Ring	1	20133-000	20133-000
155	Gear Case & Cover	1	54662-000	54662-000
156	Breather	1	40716-000	40716-000
NI	90° Elbow	1	53196-000	53196-000
NI	Pipe Nipple	1	53244-002	53244-002
157	Shaft (Driven)	1	20128-000	20128-000
158	Roll Pin	1	4133-000	4133-000
NI	Nut 5/8"-18	2	N/A	64626-000
NI	Nylon Washer	4	N/A	64619-000
NI	Cap Screw	2	N/A	64618-000
NI	Pipe Plug 1/8"	1	64628-000	64628-000
NI	Pipe Plug 3/8"	3	643-000	643-000

## DECALS

REF #	PART NUMBER	QTY	DESCRIPTION
NI	98479-000	1	PTO Decal
NI	98478-000	2	Winco #1 Decal
NI	52077-000	1	Oil Level Decal
NI	15750-000	1	Ground Decal
NI	16303-000	1	Oil Level Decal
NI	64605-000	1	Safety Decal
NI	91369-000	1	540 RPM Decal
NI	91369-001	1	1000 RPM Decal
NI	64515-000	1	Warning Decal
NI	15209-003	1	Electrical Shock Decal
NI	64516-000	1	Danger Decal
NI	Not Illustrated		

**WINCO INC**  
*A Division of DTE Dyna Technology Inc*

**225 S. CORDOVA AVE.  
 LECENTER, MN 56057  
 507-357-6821  
 SERVICE DEPT.  
 507-357-6831**

### TECHNICAL DATA:

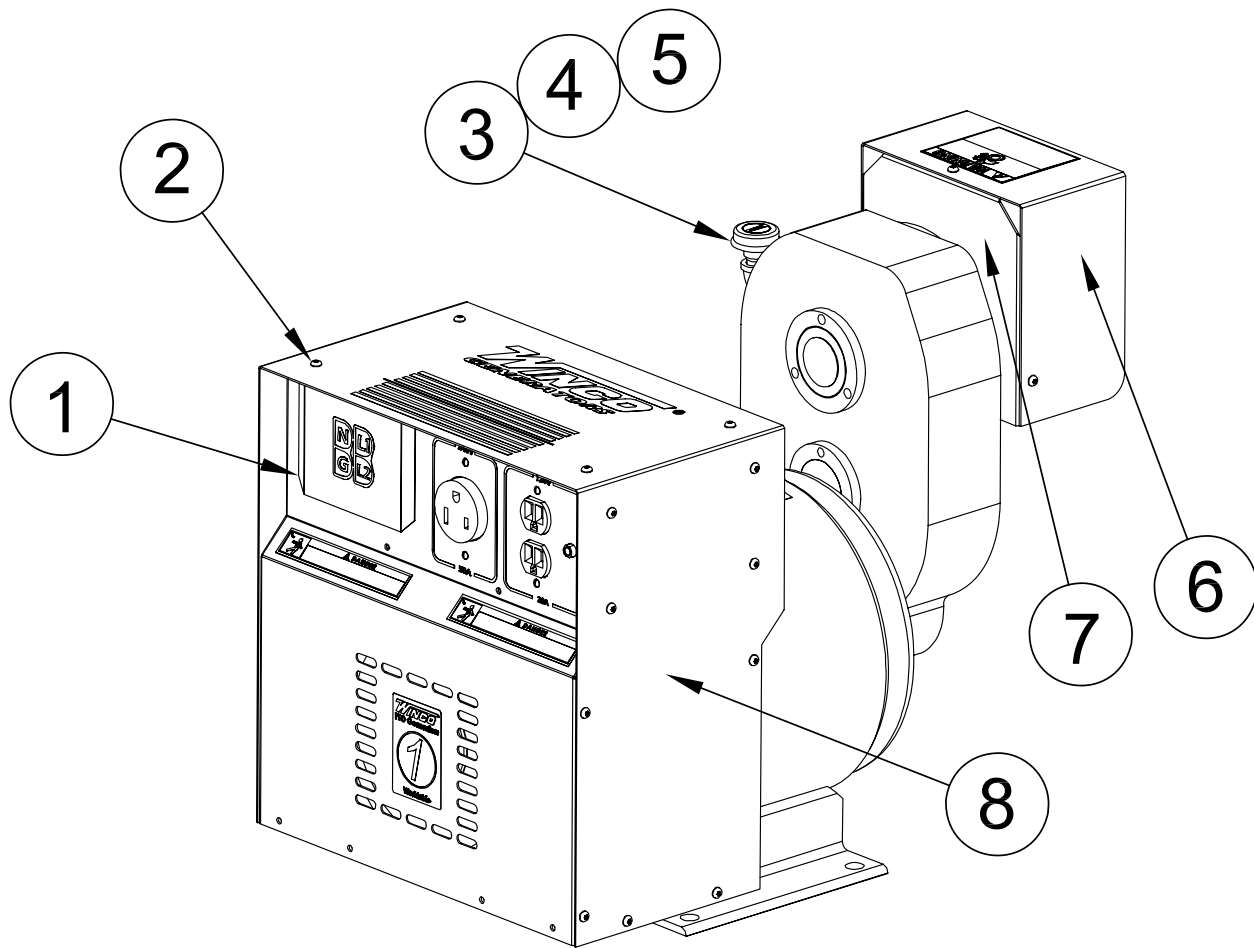
#### GENERATOR SPECIFICATIONS:

KW - 25; Volts - 120/240; Amps - 104; PH - 1  
 Hz - 60; Input - 540/1000 RPM; Generator -  
 3600 RPM

#### RESISTANCES:

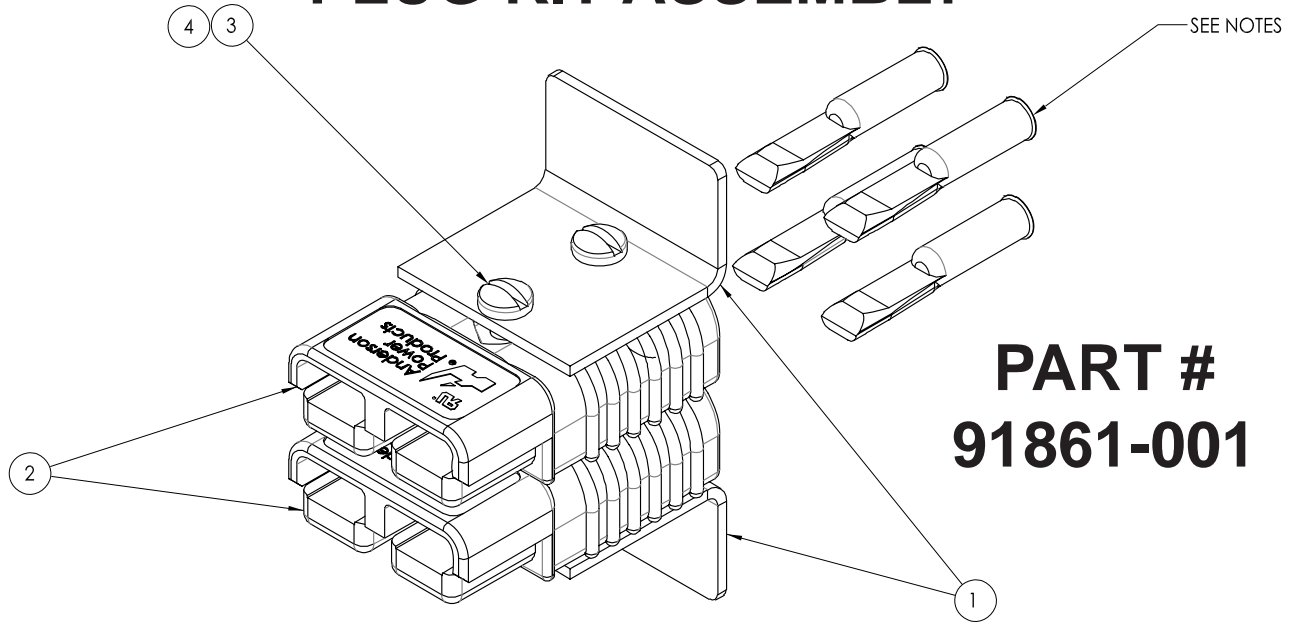
Field Coils 20.2 - 22.4 Ohms; Excitor Volts  
 - 110; Amps 4.9; Armature (Q Winding) .128 -  
 .140 Ohms; (G1 to N & G3 to N) .025 - .0275  
 Ohms

# COMPLETE UNIT ASSEMBLY



REF #	PART NUMBER	QTY	DESCRIPTION
1	G72137	1	Hinged Cover
2	21698-001	28	Torque Screws
3	53244-002	1	3/8" Pipe Nipple
4	53196-000	1	3/8" Pipe Elbow
5	40716-000	1	Breather
6	53332-001	1	Shield
7	53331-001	1	Backing Plate
8	60944-003	1	Cover
NI	1774-000	1	Woodruff Key
NI	4133-000	1	Roll Pin

# PLUG KIT ASSEMBLY



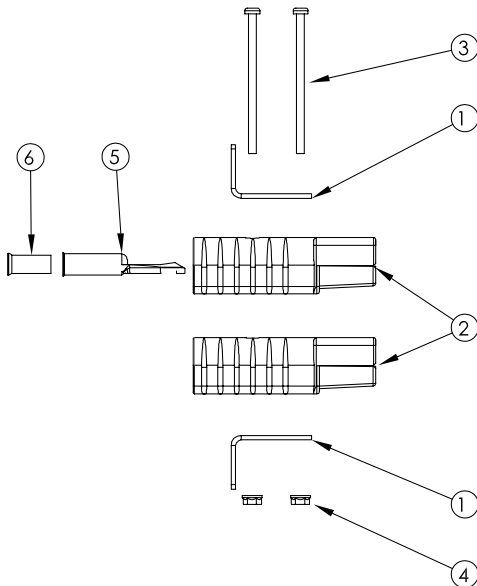
**PART #  
91861-001**

ITEM NO.	PartNo	DESCRIPTION	QTY.
1	300118-1	HANDLE	2
2	EE2327	HOUSING 175A	2
3	20583-000	RHMS 1/4-20 X 2.5	2
4	16248-000	.25-20 FLANGE NUT	2
5	EE23281	#2 CONTACT	4
6	EE23282	#4 CONTACT	4

**NOTES:**

1. USE ITEM 5 FOR 35PTO
2. USE ITEM 6 FOR 25PTO

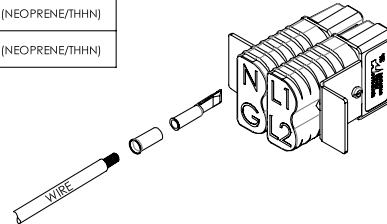
## ASSEMBLY



MODEL	SIZE (AWG) / INSULATION
25PTOC-3 (120/240V)	#4 (NEOPRENE/THHN)
35PTOC-3 (120/240V)	#2 (NEOPRENE/THHN)
50PTOC-3 (120/240V)	#1 (NEOPRENE/THHN)

APPROVED CRIMPING TOOLS

1. ANDERSON POWER PRODUCTS
2. ETC MODEL HHS HYDRAULIC CRIMPER
3. ITT BLACKBURN #1640
4. THOMAS & BETTS #TBM5



1. READ INSTRUCTIONS IN FULL PRIOR TO ASSEMBLING PLUG KIT
2. VERIFY THAT ALL ITEMS AND CORRECT QUANTITIES ARE IN THE PACKAGE
3. INSTALL CONTACTS (WITH BUSHINGS IF APPLICABLE) ON ELECTRICAL CONDUCTOR (SEE TABLE "A") BY SOLDERING, USING A GOOD GRADE OF RESIN CORE SOLDER OR AN APPROPRIATE COMPRESSION CRIMPER AS RECOMMENDED BY WINCO INC. (WARNING: SOLDER ONLY COPPER CONDUCTORS, DO NOT USE ACID CORE SOLDER!)
4. ASSEMBLE ITEMS ACCORDING TO THE EXPLODED VIEW AT THE LEFT SIDE OF PAGE
5. INSERT THE CONDUCTORS (WITH CONTACTS INSTALLED) INTO THE PROPER CAVITIES AS SHOWN ABOVE. CONNECTOR MUST SNAP INTO HOUSING, PULL ON WIRE TO ENSURE A POSITIVE LOCK. EMPTY CAVITY MUST HAVE A DUMMY CONTACT INSERTED.

## INSTRUCTION SHEET

ITEM	DESCRIPTION	QTY
1	HANDLE	2
2	ANDERSON POWER PRODUCTS HOUSING	3
3	RHMS	2
4	FLANGE NUT	2
5	WIRE CONTACT	6
6	BUSHING (IF APPLICABLE)	6

91861-101

# WIRING DIAGRAM

- CB - CIRCUIT BREAKER
- J1 - DUPLEX RECEPTACLE, 20 A., 120 V.
- J2 - ANDERSON CONNECTOR (FULL OUTPUT) 240V
- J3 - RECEPTACLE, 50 A., 240 V.
- V - VOLTMETER

