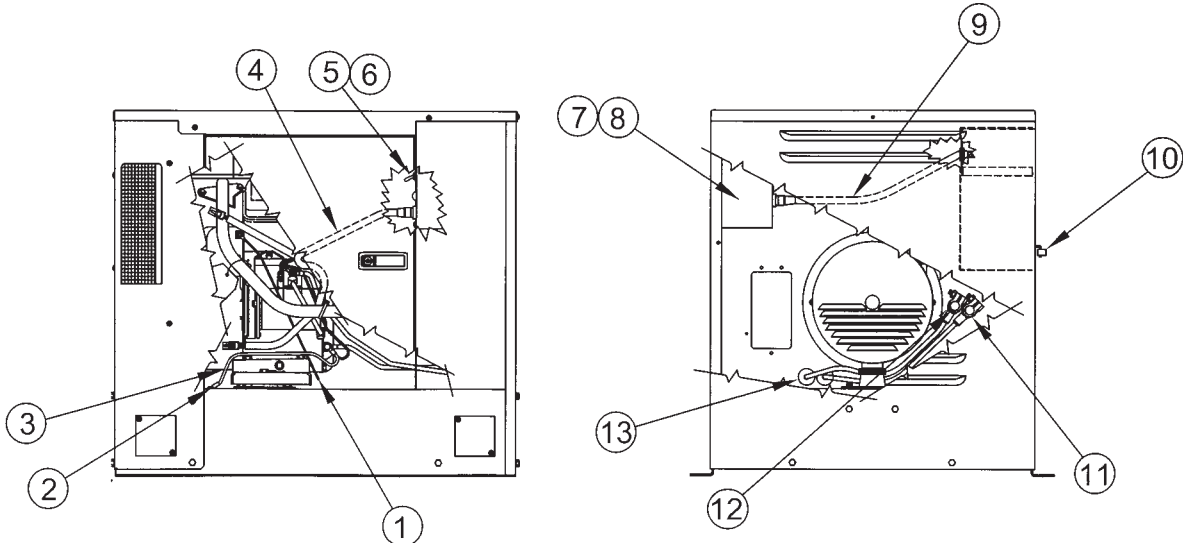


ILLUSTRATED PARTS LISTS

PSS8B4W/C PSS8B2W/C

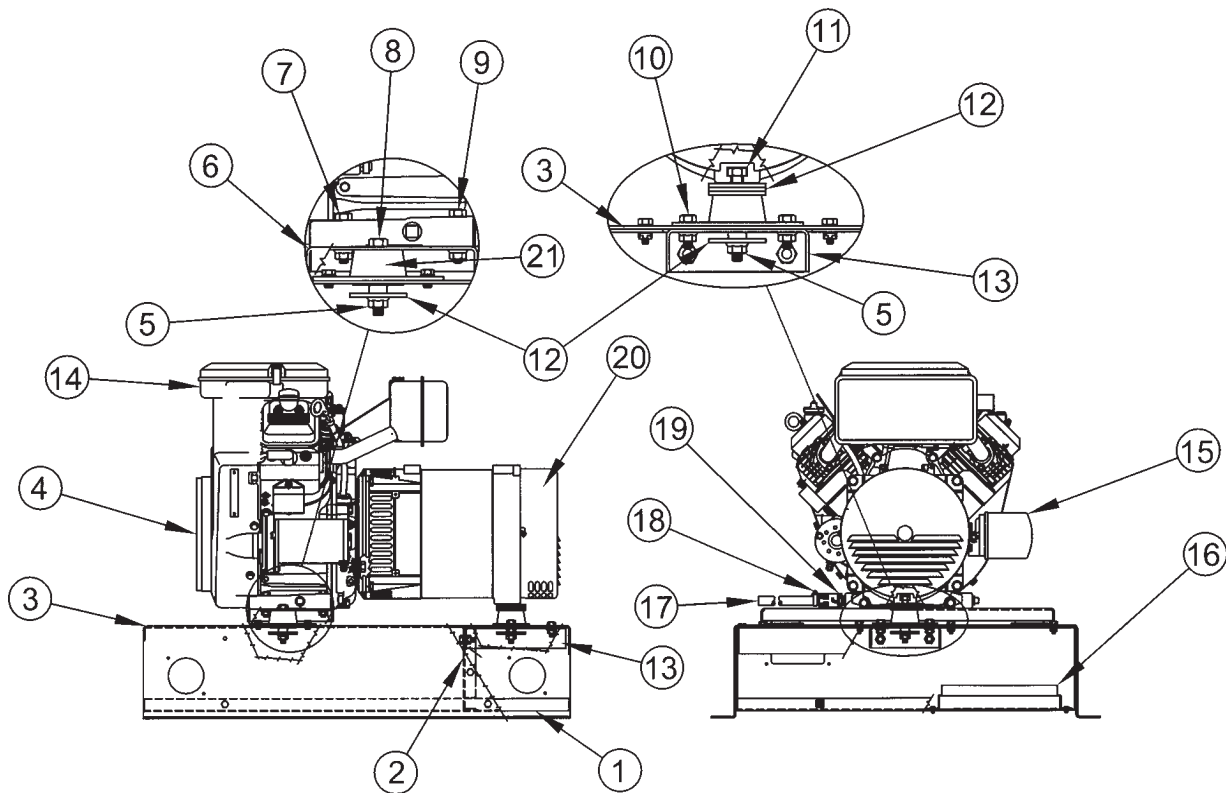
DC CONNECTIONS AND CONTROLS



REF#	PART NUMBER	QTY	DESCRIPTION
1	52131-022	1	Lead Wire, Oil Pressure Switch
2	21698-001	3	# 10 X 3/8 Self Tapping Screw
3	64903-001	1	Engine Ground Wire
4	15757-016	1	Engine Harness
5	71215-002	1	Toggle Switch, (4-wire control)
5a	71216-001	1	Toggle Switch, (2-wire control)
6	95894-001	1	Toggle Switch, (4-wire control)
7	15764-408	1	Engine Control Module, 4 Wire
8	15764-407	1*	Engine Control Module, 2 Wire
9	15757-018	1	Remote Harness
10	48042-000	1	Ground Lug
11	22097-005	1	Positive Battery Cable
12	22097-000	1	Negative Battery Cable
13	23917-002	2	Grommet

*Optional with two wire start controller

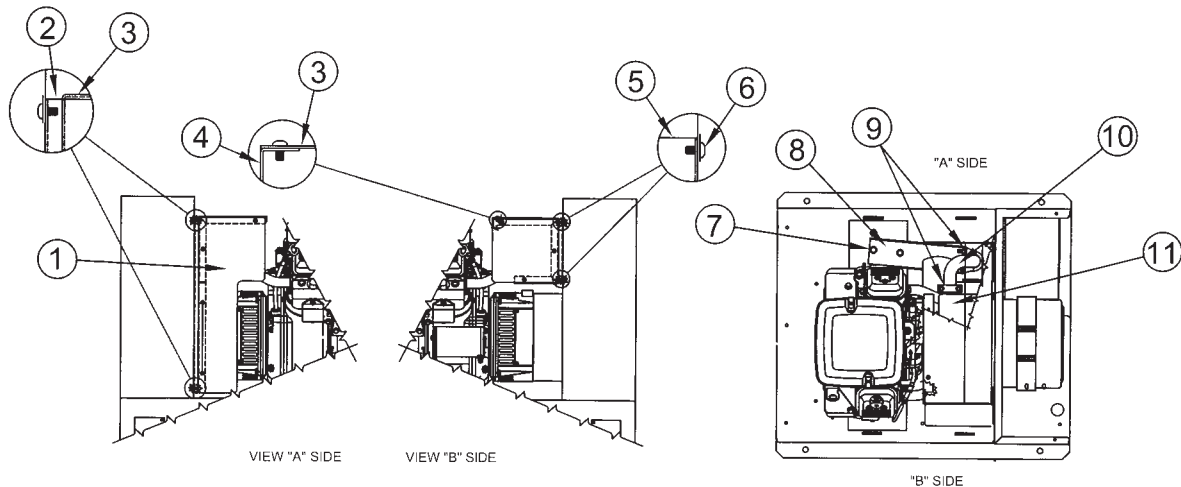
ENGINE GENERATOR ASSEMBLY



<u>REF #</u>	<u>PART NUMBER</u>	<u>QTY</u>	<u>DESCRIPTION</u>
1	15637-404	1	Base Channel
2	16344-001	1	Generator Support
3	16341-403	1	Base
4	16435-004	1	Engine, Briggs and Stratton Model 304447-0322-E1
5	16250-000	3	3/8-16 Hex Flange Nut
6	15636-403	1	Engine Support Channel
7	468-000	2	5/16-18 X 1-1/2 Hex Head Bolt
8	91658-006	2	3/8-16 X 2-1/4 Hex Head Bolt
9	9416-000	2	5/16-18 X 1-3/4 Hex Head Bolt
10	467-000	6	5/16-18 X 3/4 Hex Head Bolt
11	91658-008	1	3/8-16 X 2-3/4 Hex Head Bolt
12	98806-000	6	3/8" I.D. X 2" O.D. Flat Washer
13	16345-401	1	Generator Support Extension
14	B&S 841194	1	Air Filter

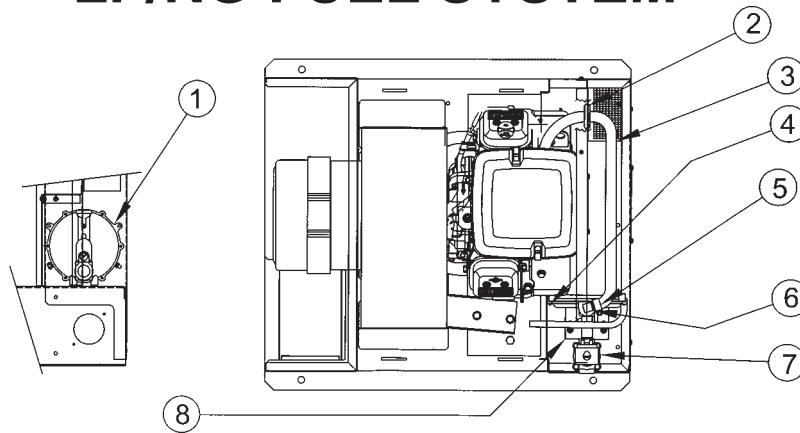
<u>REF #</u>	<u>PART NUMBER</u>	<u>QTY</u>	<u>DESCRIPTION</u>
15	B&S 842921	1	Oil Filter
16	16358-402	1	Battery Tray
17	62286-000	1 FT	Hose
18	62999-004	1	Hose Clamp
19	300349	1	Oil Drain Valve
20	16346-004	1	Generator, Mecc Alt Spa Model S20W-130/A
21	98807-000	3	Shock Mount
NI	16346-312	1	40MFD 425VAC Capacitor
NI	B&S 491055s	2	Spark Plugs

MUFFLER & EXHAUST SYSTEM



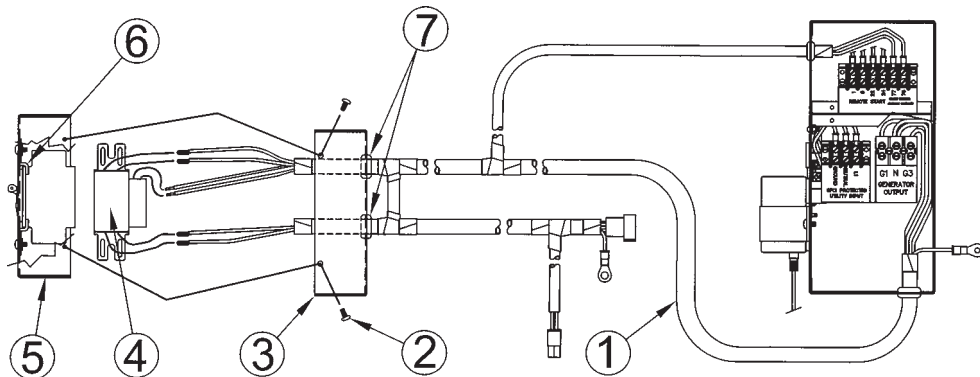
<u>REF#</u>	<u>PART NUMBER</u>	<u>QTY</u>	<u>DESCRIPTION</u>
1	16356-400	1	Heat Shield
2	16381-401	1	Right Heat Shield Support
3	16356-401	1	Muffler Heat Shield
4	16382-401	1	Engine Heat Shield
5	16381-402	1	Left Heat Shield Support
6	21698-001	14	#10 X 3/8 Self Tapping Screw
7	62173-001	2	5/16-1 x 1/2 Self Tapping Screw
8	16351-401	1	Tail Pipe Support
9	93489-014	2	1-1/8" Exhaust Clamp
10	16339-000	1	Exhaust Pipe
11	16401-000	1	Muffler
	B&S Part # 807965		
NI	15769-002	1	Spark Arrestor (attach to item 10 with item 6)

LP/NG FUEL SYSTEM



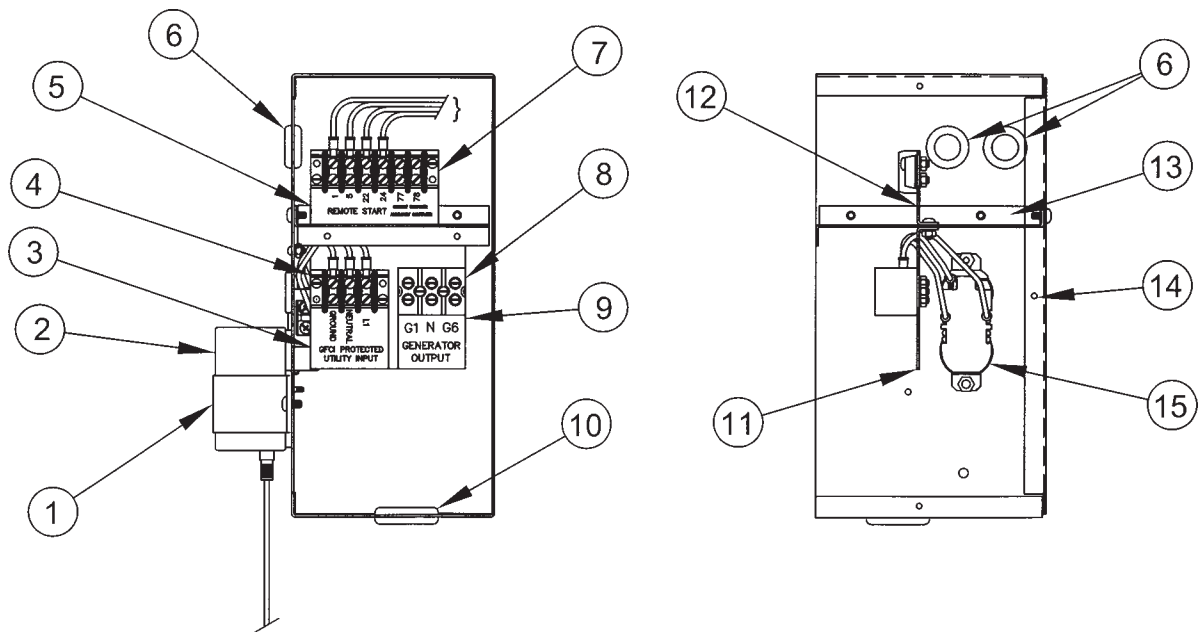
<u>REF#</u>	<u>PART NUMBER</u>	<u>QTY</u>	<u>DESCRIPTION</u>
1	55559-002	1	Regulator
2	16302-000	1	Grommet
3	23048-005	1	Hose (28.0")
4	16497-000	1	Fuel Inlet Box Panel
5	81018-008	2	Hose Clamp
6	92382-004	1	3/8 X 1/2 Brass Hose Fitting
7	42942-000	1	Fuel Solenoid
8	16496-000	1	Fuel Solenoid Mounting Plate

AC WIRING HARNESS & CIRCUIT BREAKER



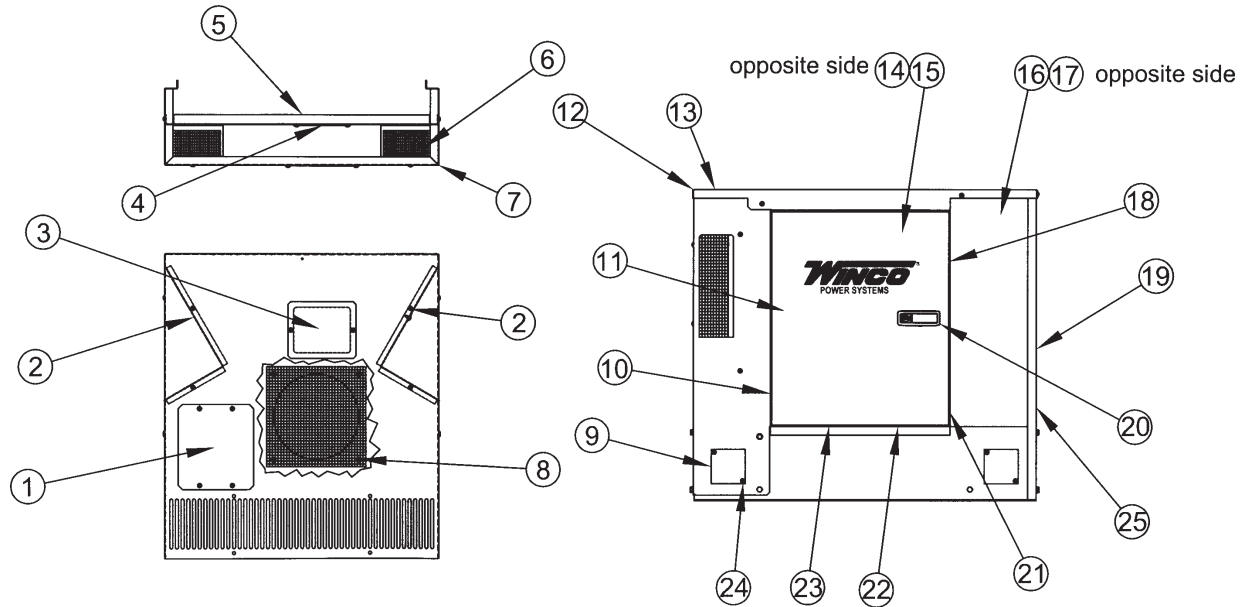
<u>REF #</u>	<u>PART NUMBER</u>	<u>QTY</u>	<u>DESCRIPTION</u>
1	15757-013	1	AC Wiring Harness
2	21698-001	8	#10 X 3/8 Self Tapping Screw
3	99876-401	1	Circuit Breaker Box Cover
4	64898-001	1	Circuit Breaker 30A 240V
5	99876-400	1	Circuit Breaker Box
6	64045-012	2	Retaining Strap
7	16302-000	2	7/8 ID X 1.25 OD Grommet

CUSTOMER CONNECTION BOX



<u>REF #</u>	<u>PART NUMBER</u>	<u>QTY</u>	<u>DESCRIPTION</u>
1	300308-410	1	Hold Down Strap
2	16287-000	1	Battery Tender
3	64576-006	1	Utility Connection Decal
4	80623-005	1	3 Point Terminal Block
5	64576-004	1	Remote Connection Decal
6	23917-000	2	Grommet
7	80623-000	1	6 Point Terminal Block
8	51795-000	1	3 Point Terminal Block
9	64576-005	1	AC Output Power Decal
10	62486-000	1	Grommet
11	16319-402	1	Terminal Block Mounting Bracket
12	16319-401	1	Terminal Block Mounting Bracket
13	300309-402	1	Electrical Box Divider
14	300278-413	1	Electrical Connection Box
15	24749-000	1	Duplex Receptacle 15 Amp
NI	300310-402	1	Connection Box Cover

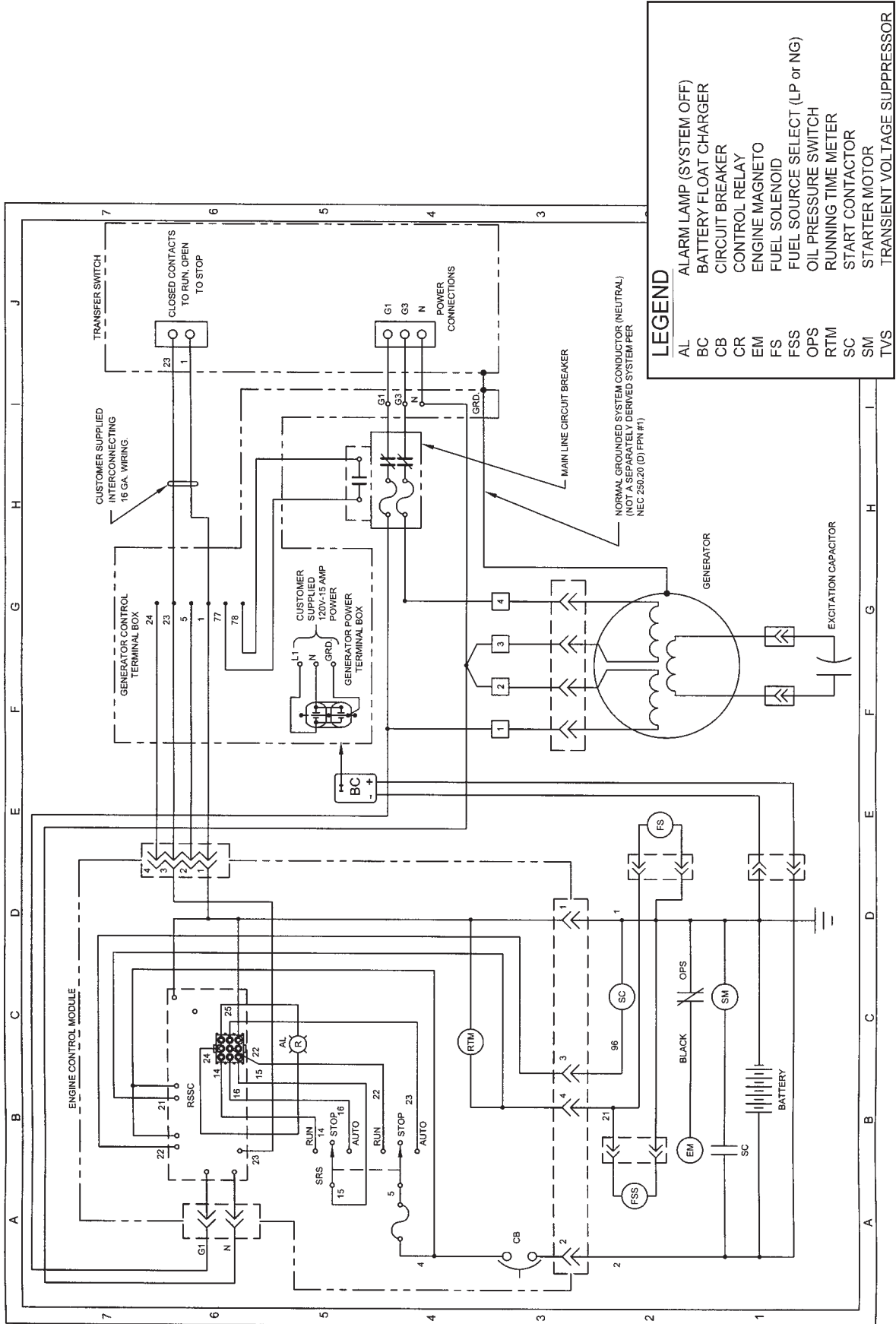
HOUSING ASSEMBLY



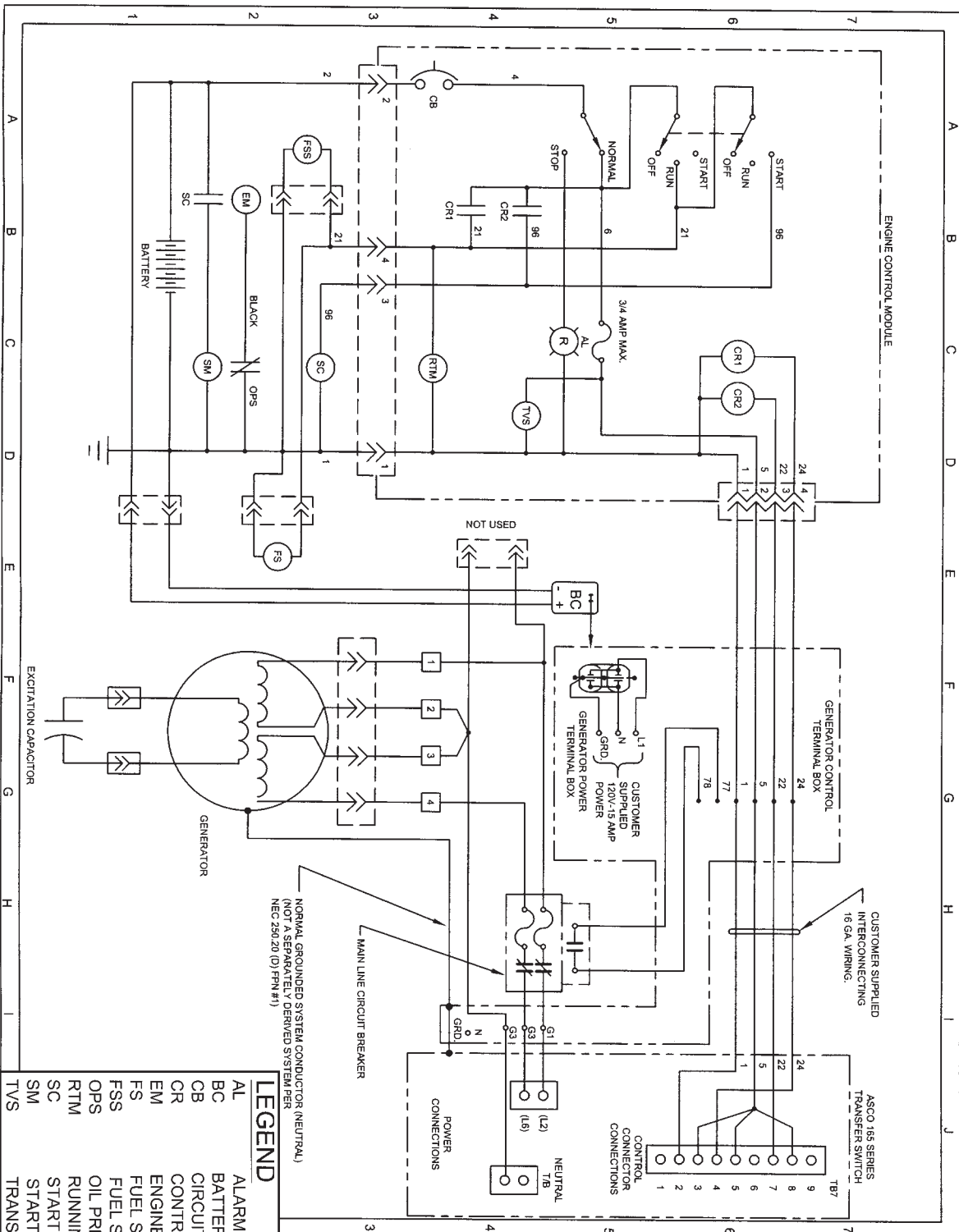
<u>REF#</u>	<u>PART NUMBER</u>	<u>QTY</u>	<u>DESCRIPTION</u>
1	16440-406	1	Fuel Regulator Cover Plate
2	16353-401	1*	Air Inlet Duct
3	16361-401	1	Cover
4	300274-410	1	Engine Compartment Divider Cover
5	16354-401	1	Engine Compartment Divider
6	91644-006	2	Intake Screen
7	15670-403	1	Front Housing
8	91644-007	1	Engine Air Intake Screen
9	16361-402	4	Lifting Hole Cover
10	98375-009	2	Hinge, Service Door
11	99788-466	2	Door Foam
12	99788-443	1	Roof Foam
13	15677-403	1	Roof
14	16360-414	1	Service Door, Right
15	16360-413	1	Service Door, Left
16	16355-405	1	Divider, Left
17	16355-406	1	Divider, Right
18	15287-013	2	Air Seal 16 3/4"
19	15671-406	1	Rear Housing
20	95229-005	2	Door Latch
21	15681-002	2	Door Stop
22	15681-406	2	Door Sill
23	62912-000	11 1/2 FT	Foam Strip
24	21698-001	21	# 10 X 3/8" Self Tapping Screw
25	16451-402	1	Battery Access Cover

*Contains both Right and Left Duct

AC AND DC GENERATOR SCHEMATIC PSS8B2W/C



AC AND DC GENERATOR SCHEMATIC PSS8B4W/C



LEGEND	
AL	ALARM LAMP (SYSTEM OFF)
BC	BATTERY FLOAT CHARGER
CB	CIRCUIT BREAKER
CR	CONTROL RELAY
EM	ENGINE MAGNETO
FSS	FUEL SOURCE SELECT (LP or NG)
OPS	OIL PRESSURE SWITCH
RTM	RUNNING TIME METER
SC	START CONTACTOR
SM	STARTER MOTOR
TVS	TRANSIENT VOLTAGE SUPPRESSOR

WINGO INC
 A Division of DTP-Dyna Technology Inc
 225 South Cordova Avenue
 Le Center MN 56057
 507-357-6831