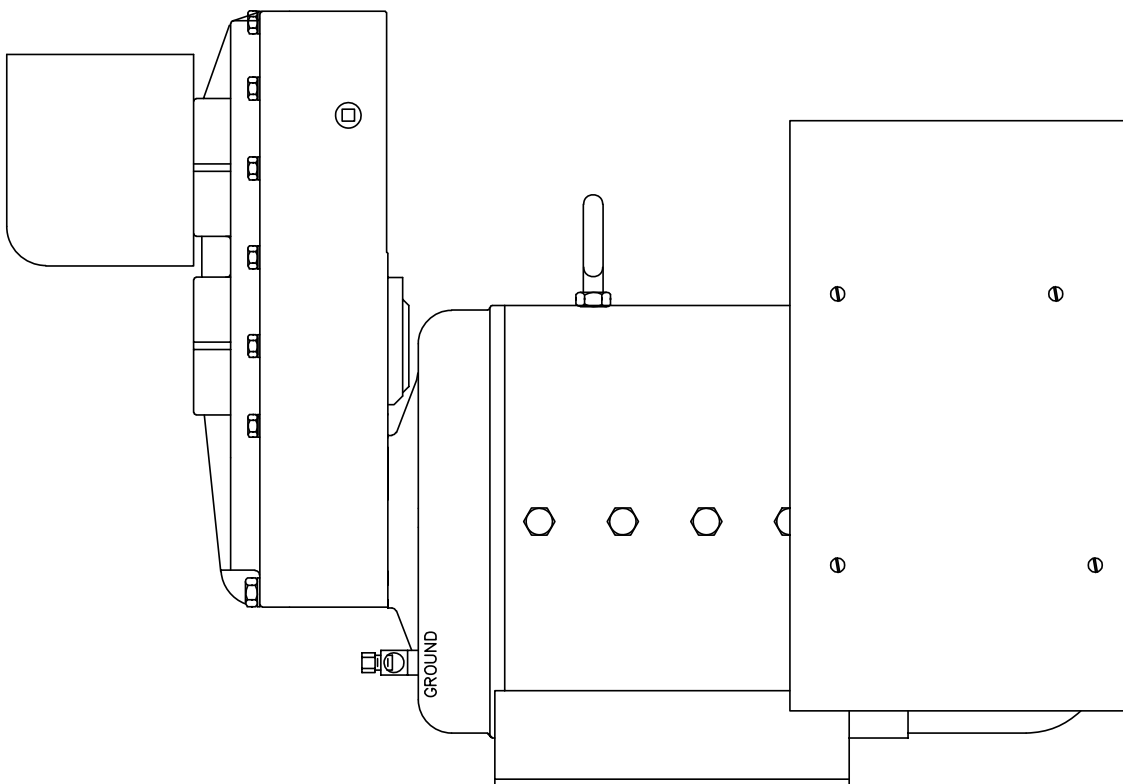
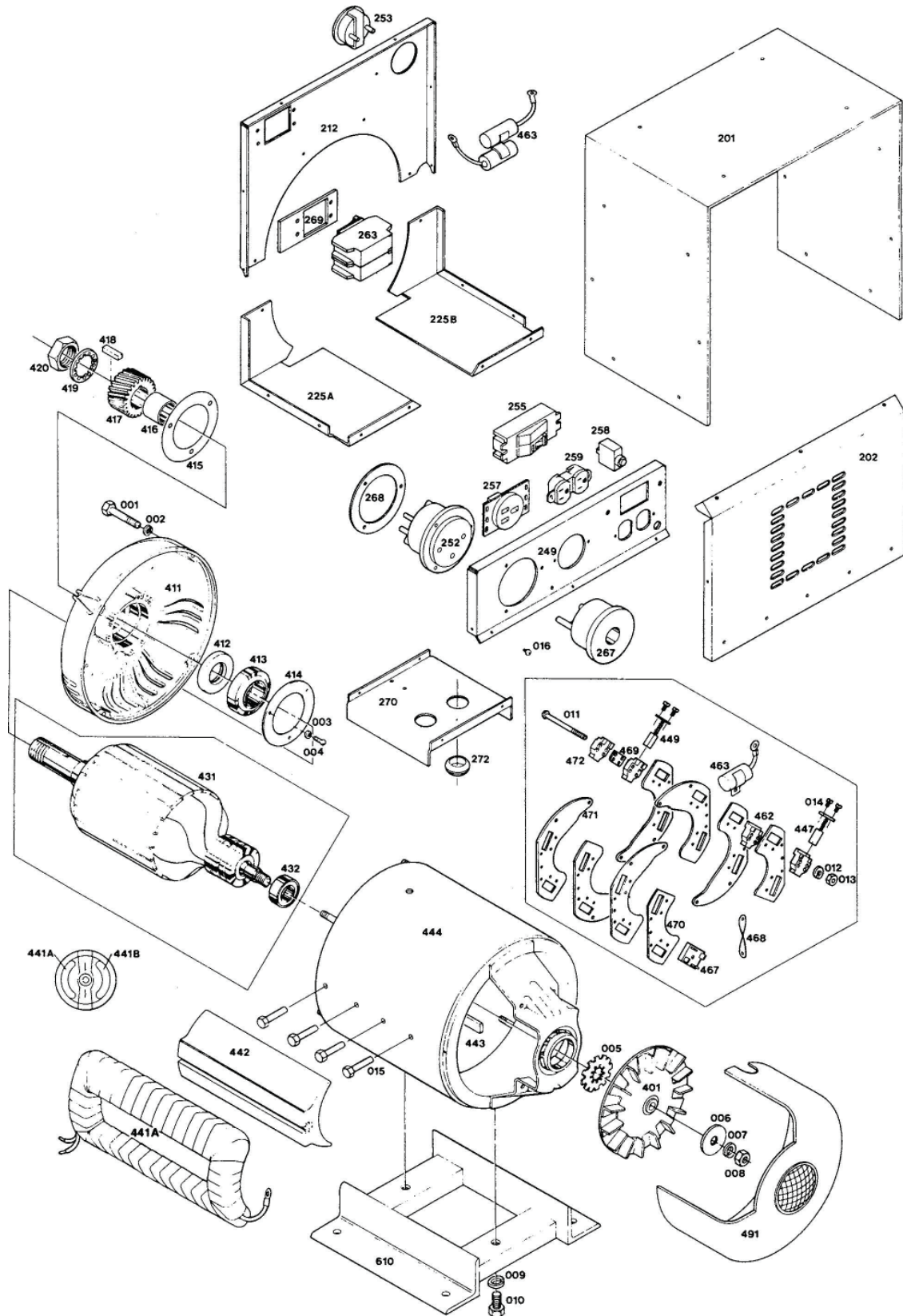


**ILLUSTRATED  
PARTS LIST**

**25PTOC-3/H  
25PTOC-3/I**



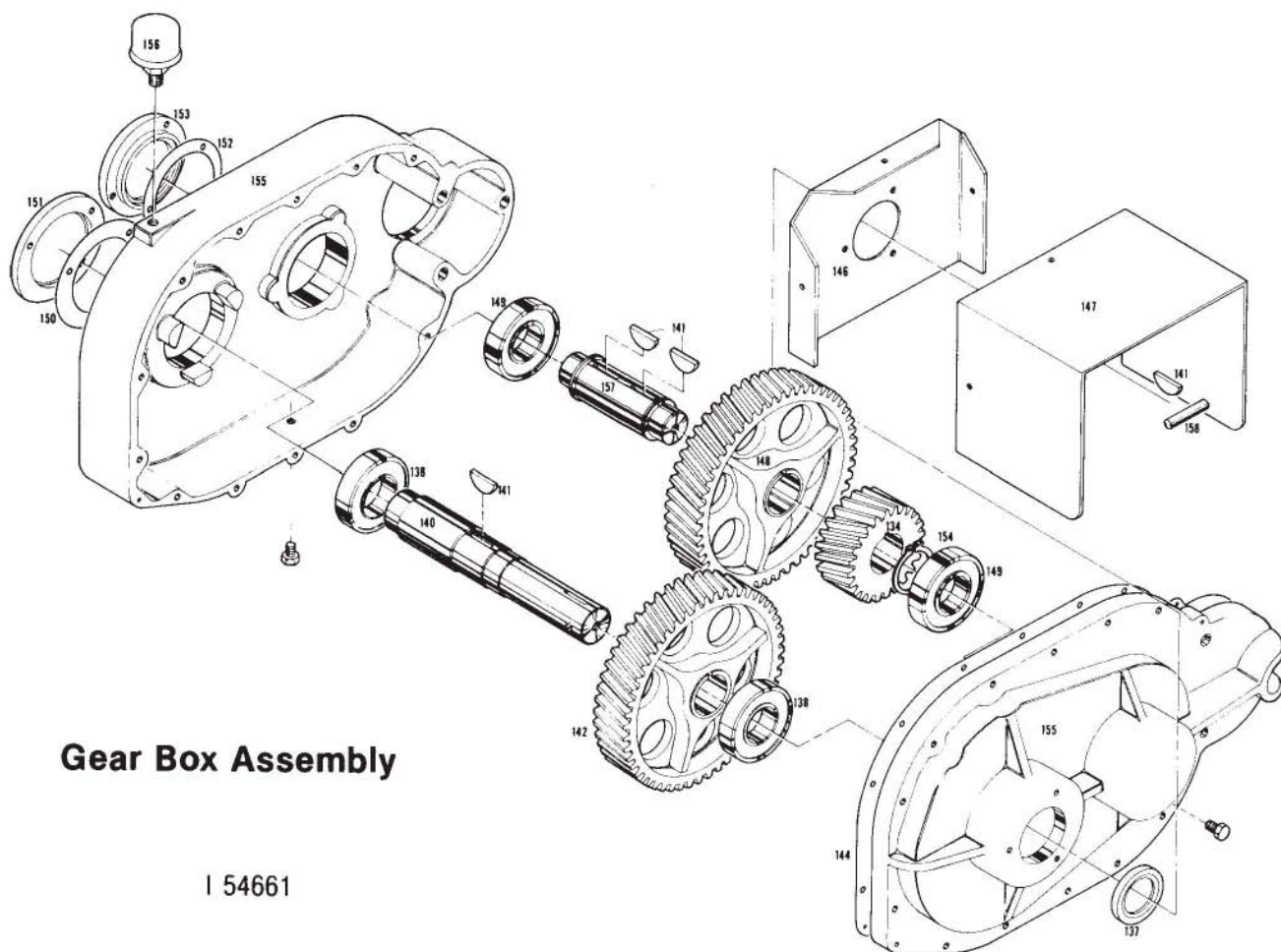
# GENERATOR ASSEMBLY



REF #	PART NUMBER	QTY	DESCRIPTION
001	51101-000	4	Cap Screw 5/16"-18 X 3/4"
002	480-000	4	Lock Washer
003	479-000	3	Lock Washer Split Type 1/4"
004	45633-000	3	Machine Screw
005	40552-000	1	Lock Washer 11/16" Int.
006	21867-000	1	Flat Washer
007	20039-000	1	Lock Washer
008	9549-000	1	Hex Nut 1/2" X 20
009	636-000	2	Lock Washer
010	48178-000	1	Cap Screw 1/2"-13 X 1"
011	44342-000	4	Machine Screw
012	6376-000	5	Lock Washer
013	5113-000	5	Hex Nut 8-32
014	40746-000	28	Machine Screw
015	43781-000	8	Cap Screw 7/16"-20 X 1 3/4"
016	54806-000	25	Screw
201	60944-002	1	Cover
202	64649-001	1	Front Cover
212	61111-001	1	Upper Rear Panel
225A	61216-001	1	Left Lower Rear Panel
225B	61216-002	1	Right Lower Rear Panel
249	61110-002	1	Front Panel
252	91353-400	1	Full Power Receptacle
253	52490-000	1	Voltmeter
255	57030-000	1	50A 240V Circuit Breaker
257	57325-000	1	Receptacle (NEMA 6-50R)
258	91286-000	1	15A Circuit Breaker 25PTOC-3/H
258	91286-001	1	20A Circuit Breaker 25PTOC-3/l
259	24749-000	1	15A Receptacle 25PTOC-3/H
259	50766-000	1	20A Receptacle 25PTOC-3/l
263	58805-004	1	100A 240V Circuit Breaker
267	91355-000	1	Full Power Plug
268	91350-000	1	Receptacle Backing Plate
269	N/A		Circuit Breaker Mounting Plate
270	60951-001	1	Saddle Assembly

REF #	PART NUMBER	QTY	DESCRIPTION
272	23917-000	2	Grommet
401	23404-000	1	Fan Assembly
411	51046-002	1	End Bracket
412	46912-000	1	Oil Seal
413	46913-000	1	Bearing
414	44318-000	1	Retainer Plate
415	20136-000	1	Gasket
416	20137-000	1	Spacer
417	46545-000	1	Pinion Gear
418	20159-000	1	Key
419	20139-000	1	Lock Washer
420	20160-000	1	Hex Jam Nut
431	52497-001	1	Armature
432	50215-000	1	Bearing
440	61368-000	1	Field Shell & Coil Assembly
441A	52563-000	1	Field Coil
441B	52563-001	1	Field Coil
442	43473-000	2	Pole Shoe
443	43474-000	2	Pole Shoe Retainer
444	61153-000	1	Field Shell
447	24981-000	12	AC Brush
449	53949-000	2	"Q" Brush
460A	53977-000	1	Brush Rack Assembly
460B	53977-001	1	Brush Rack Assembly
462	23500-002	12	Brush Holder
463	N/A		N/A
467	91452-000	1	Rectifier
468A	41387-007	6	Copper Strap
468B	41387-008	1	Copper Strap
469	23532-000	14	Spacer
470	52559-000	2	Brush Holder Spacer
471	53975-000	6	Mounting Plate
472	23500-000	2	"Q" Brush Holder
491	55007-000	1	End Cover
610	51147-000	1	Base
NI	94378-000	1	Stand-off Insulator
NI	48043-000	1	Ground Lug
NI	51559-000	1	Lifting Eye Bolt
NI	Not Illustrated		

# GEAR BOX ASSEMBLY



**Gear Box Assembly**

I 54661

REF #	DESCRIPTION	QTY	540 RPM PART #	1000 RPM PART #
130	Gear Box Assembly	1	54661-400	54661-401
134	Pinion Gear	1	46547-000	44833-000
137	Seal	1	20029-000	20029-000
138	Bearing	2	64562-000	64562-000
140	Shaft (Input Drive)	1	46296-000	46296-000
141	Woodruff Key	4	1774-000	1774-000
142	Gear (Input Drive)	1	46548-000	46546-000
144	Gasket (Cover)	1	20016-000	20016-000
146	Backing Plate	1	53331-001	53331-001
147	Safety Shield	1	53332-001	53332-001
148	Gear (Driven)	1	46546-000	46546-000
149	Bearing	2	54665-000	54665-000
150	Gasket	1	46299-000	46299-000
151	Retainer	1	46295-000	46295-000
152	Gasket	1	46298-000	46298-000

153	Retainer	1	46286-000	46286-000
154	Snap Ring	1	20133-000	20133-000
155	Gear Case & Cover	1	54662-000	54662-000
156	Breather	1	40716-000	40716-000
NI	90° Elbow	1	53196-000	53196-000
NI	Pipe Nipple	1	53244-002	53244-002
157	Shaft (Driven)	1	20128-000	20128-000
158	Roll Pin	1	4133-000	4133-000
NI	Nut 5/8"-18	2	N/A	64626-000
NI	Nylon Washer	4	N/A	64619-000
NI	Cap Screw	2	N/A	64618-000
NI	Pipe Plug 1/8"	1	64628-000	64628-000
NI	Pipe Plug 3/8"	3	643-000	643-000

## DECALS

REF #	PART NUMBER	QTY	DESCRIPTION
NI	98479-000	1	PTO Decal
NI	98478-000	2	Winco Decal
NI	52077-000	1	Oil Level Decal
NI	15750-001	1	Ground Decal
NI	16303-000	1	Oil Level Decal
NI	64605-000	1	Safety Decal
NI	91369-000	1	540 RPM Decal
NI	91369-001	1	1000 RPM Decal
NI	64515-000	1	Warning Decal
NI	15209-000	1	Electrical Shock Decal
NI	64516-000	1	Danger Decal
NI	Not Illustrated		

**WINCO INC**  
*A Division of DTE Dyna Technology Inc*

**225 S. CORDOVA AVE.  
 LECENTER, MN 56057  
 507-357-6821  
 SERVICE DEPT.  
 507-357-6831**

### TECHNICAL DATA:

#### GENERATOR SPECIFICATIONS:

KW - 25; Volts - 120/240; Amps - 104; PH - 1  
 Hz - 60; Input - 540/1000 RPM; Generator -  
 3600 RPM

#### RESISTANCES:

Field Coils 20.2 - 22.4 Ohms; Excitor Volts  
 - 110; Amps 4.9; Armature (Q Winding) .128 -  
 .140 Ohms; (G1 to N & G3 to N) .025 - .0275  
 Ohms

# WIRING DIAGRAM

