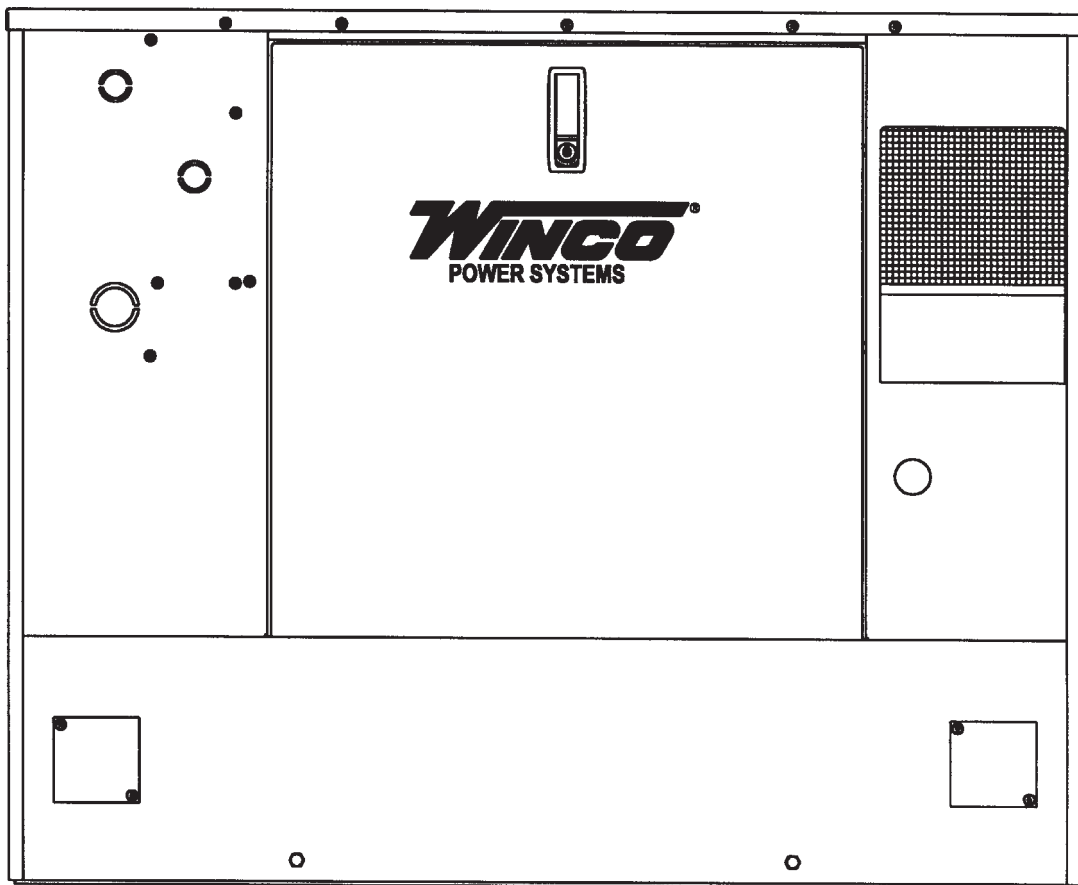




CSAPSS12H2W/A  
CSAPSS12H4W/A

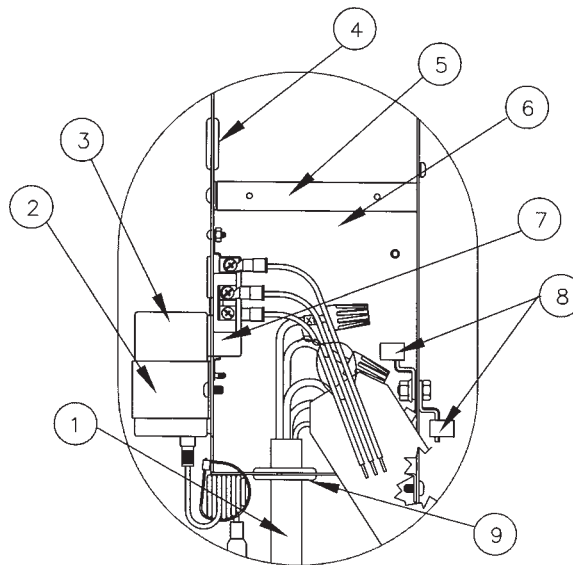
ILLUSTRATED  
PARTS LISTS  
WIRING DIAGRAMS





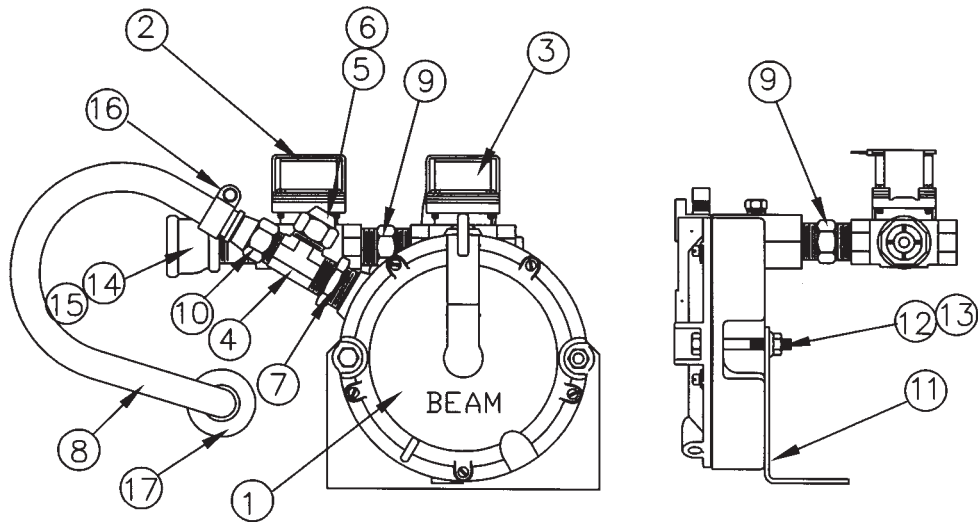
REF#	PART NUMBER	QTY	DESCRIPTION
21	98807-000	4	Shockmount
22	91658-006	4	3/8 – 16 X 2½ Hex Head Bolt
23	98806-000	4	3/8 ID X 2 OD Flat Washer
24	16441-401	1	Top Duct Adapter Extension
25	16441-402	1	Bottom Duct Adapter Extension
26	16446-000	4	M8-1.25 Nylok Hex Nut
27	16411-401	1	Engine Support Channel
28	62173-000	8	5/16 – 18 X ½ Self Tapping Screw
29	526-000	4	5/16 Flat Washer
30	16249-000	4	5/16 – 18 Flange Nut
31	9416-000	2	5/16 – 18 X 1¾ Hex Head Bolt
32	468-000	2	5/16 – 18 X 1½ Hex Head Bolt

## AC ELECTRICAL CONNECTION BOX



REF#	PART NUMBER	QTY	DESCRIPTION
1	16447-006	1	AC Output Harness
2	300308-10	1	Hold Down Bracket
3	16287-000	1	Battery Charger
4	62486-000	1	Grommet
5	300309-410	1	Terminal Box Divider
6	300278-411	1	Terminal Box
7	24749-000	1	Duplex Receptacle
8	48042-000	2	Ground Lug
9	23917-000	1	Grommet
NI	300310-410	1	Terminal Box Cover
NI	15768-007	1	Connection Decal

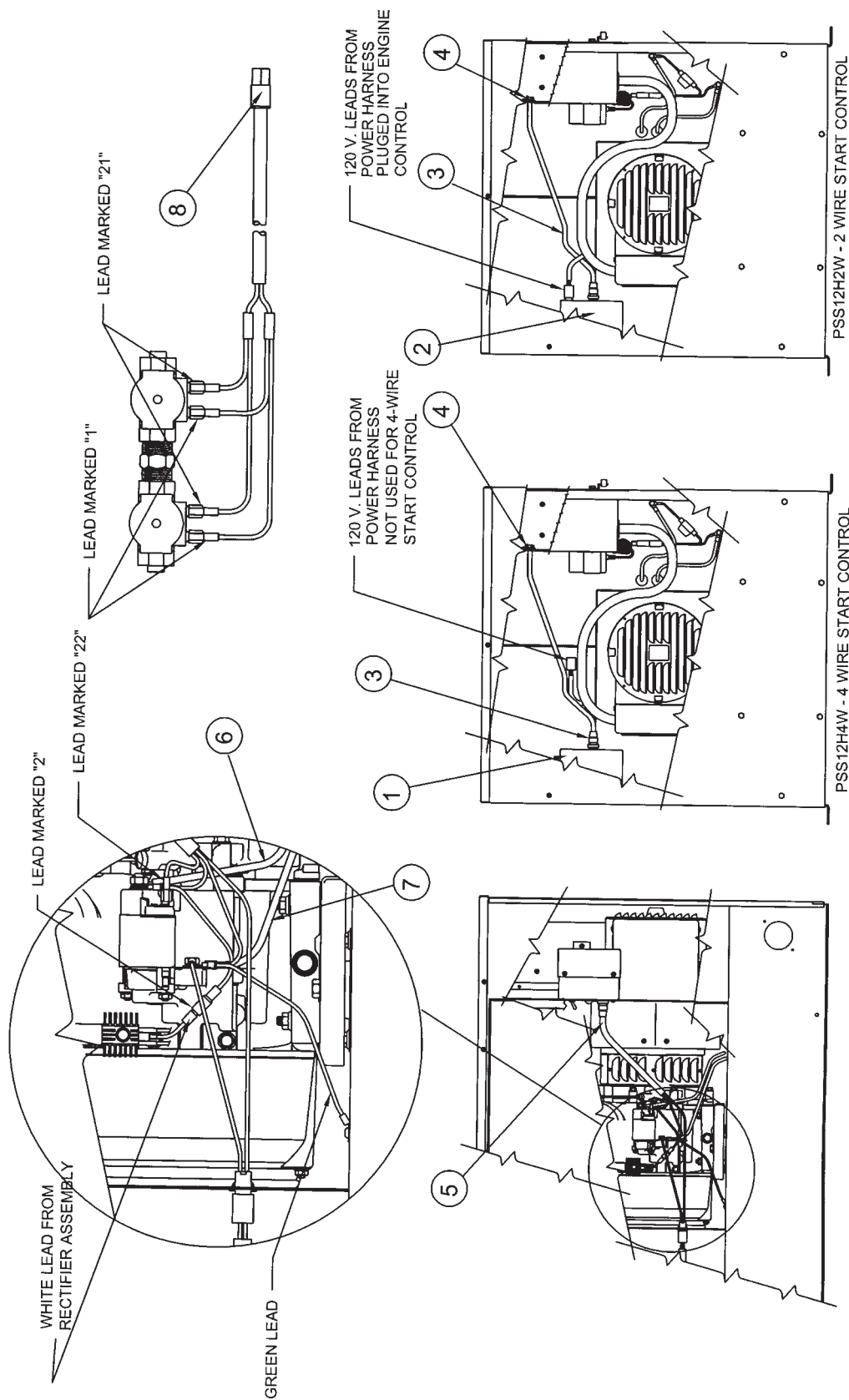
# LP/NG FUEL SYSTEM



REF#	PART NUMBER	QTY	DESCRIPTION
1	T202ANL-E*	1	Regulator
2	FL-30639*	1	Fuel Solenoid
3	FL-30638*	1	Fuel Solenoid
4	F3-30367*	1	Tee Fitting
5	J1-30655-002*	1	Orifice Insert 5.4mm LP
6	C2-30035*	1	Cap Nut 1/2" SAE Flare
7	F4-30635*	1	Fitting 3/4" NPT X 1/2" NPT Bushing
8	AH1-30634*	1	Fuel Hose 1/2" X 40" with 1/2" Female (Do Not Shorten) Flare Fitting & Clamp
9	F4-30633*	1	Fitting 1/2" Hex Nipple
10	J1-30655-003*	1	Orifice Insert 6.7mm NG
11	16433-000	1	Mounting Bracket
12	1679-000	2	1/4" -20 X 1 1/2" Hex Head Bolt
13	16248-000	2	1/4" -20 Flangenut
14	21089-000	1	1/2" by 1 1/2" Pipe Nipple
15	95954-001	1	1/2" to 3/4" Bell Reducer
16	81018-000	2	Hose Clamp
17	16302-000	1	Grommet
NI	97338-005	1	Fuel Changeover Decal

\* These are IMPCO Carburetion Inc. part numbers. These parts are only available as a kit from WINCO, Inc. The Kit P/N is 16331-002, individual parts may be available through IMPCO.

# DC CONNECTIONS & CONTROLS

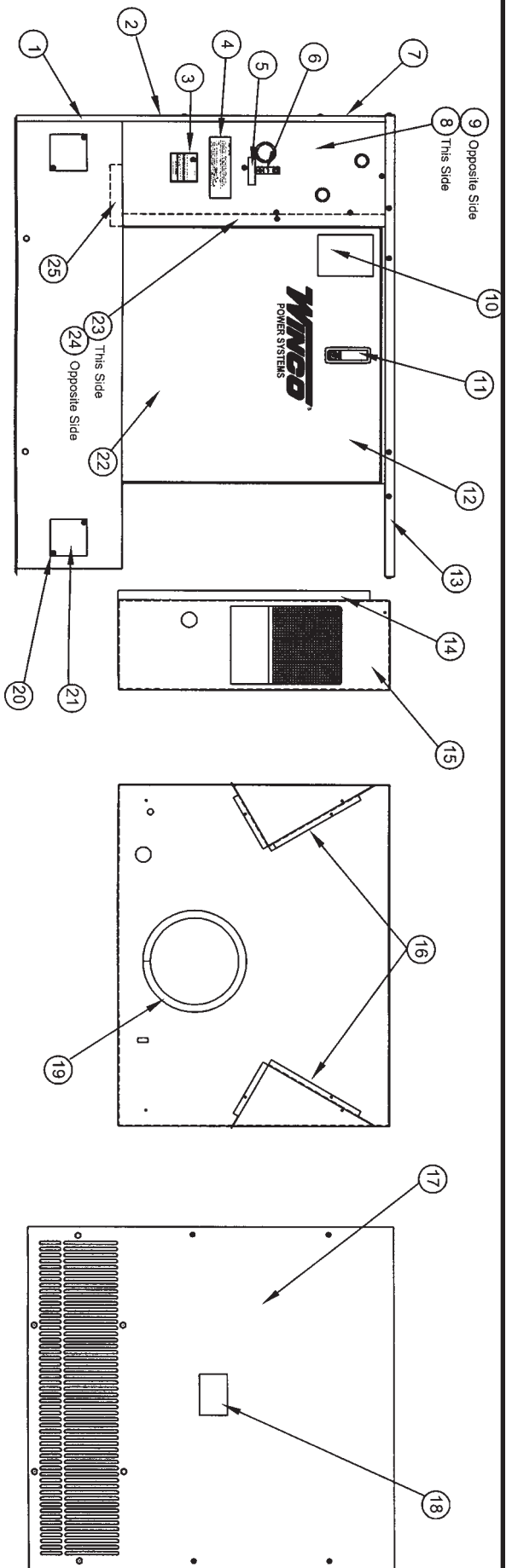


REF#	PART NUMBER	QTY	DESCRIPTION	REF#	PART NUMBER	QTY	DESCRIPTION
1	15764-405	1	Engine Control (4W)	5	16447-001	1	DC Harness Engine
2	15764-407	1	Engine Control (2W)	6	15767-023	1	Battery Cable Positive
3	16447-003	1	DC Harness Terminal Box	7	15767-024	1	Battery Cable Negative
4	23917-000	1	Grommet	8	16447-002	1	Fuel Solenoid Harness

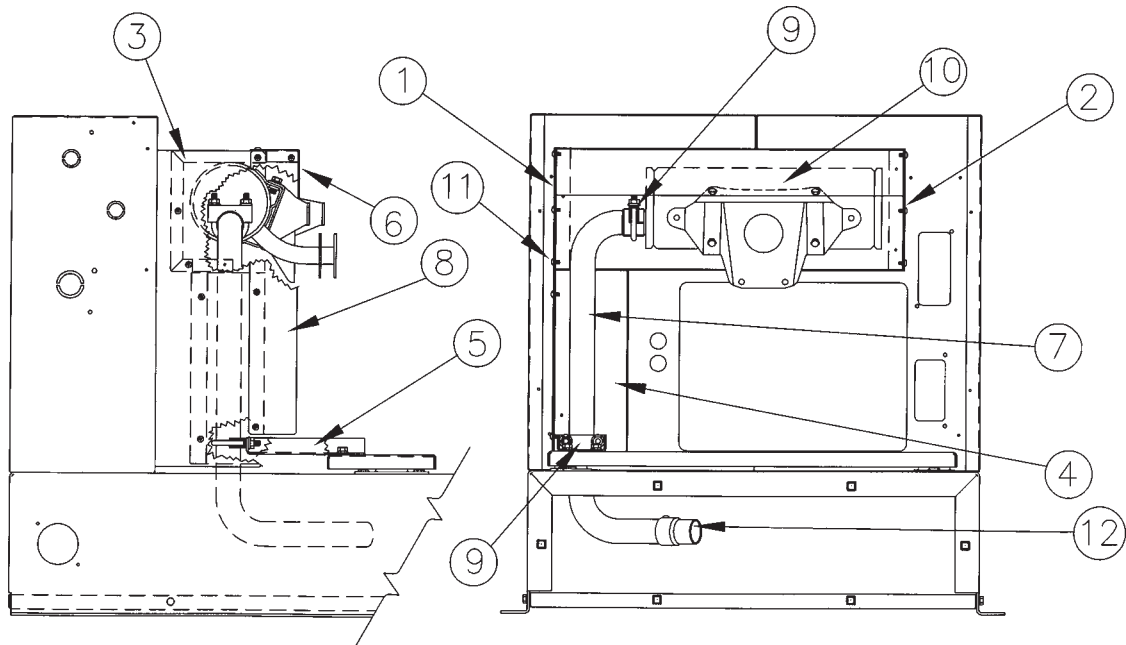
# ENCLOSURE ASSEMBLY

REF#	PART NUMBER	QTY	DESCRIPTION
1	15671-404	1	Gen End Panel
2	16451-400	1	Battery Access Door
3	64636-001	1	CSA Approval Decal
4	15849-000	1	CSA Standby Decal
5	15750-001	1	Ground Decal
6	48042-000	1	Ground Lug
7	15210-001	1	Fuel Decal
8	16434-401	1	Right Side Panel
9	16434-402	1	Left Side Panel
10	97813-000	2	Automatic Start Decal
11	95229-005	2	Latch Assembly
12	99785-408	2	Door Complete W/Latch

REF#	PART NUMBER	QTY	DESCRIPTION
13	16334-409	1	Roof Complete W/Foam
14	16681-405	4	Door Stop
15	16413-401	1	Divider Engine Compartment
16	16445-400	2	Air Inlet Duct Assembly
17	16414-401	1	Engine End Panel
18	15209-000	1	Safety Decal Set
19	16338-004	1	Air Seal 26-3/4" Long
20	21698-001	40	Self Tapping Screw #10 x 3/8"
21	16361-402	4	Lifting Hole Cover
22	N/A		Not Used
23	16485-403	1	Generator Divider Foam (RH)
24	16485-404	1	Generator Divider Foam (LH)
25	16485-405	1	Base Insulation Foam

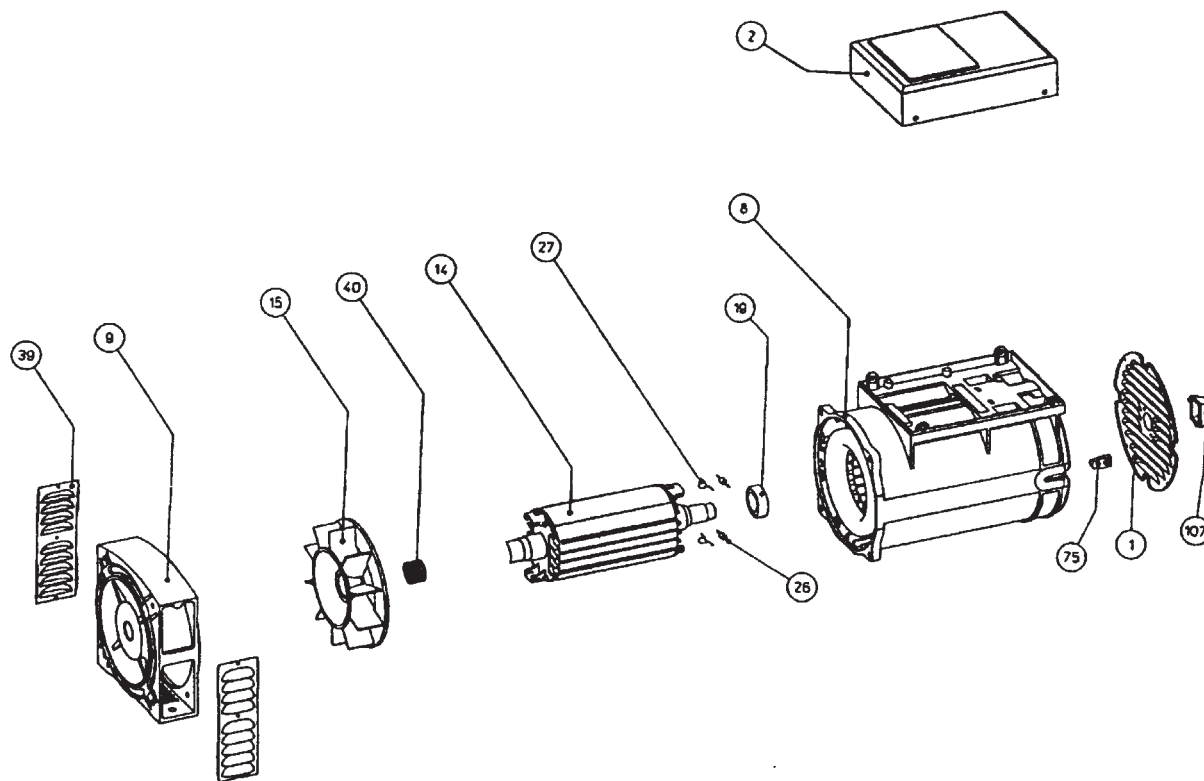


## MUFFLER & EXHAUST SYSTEM

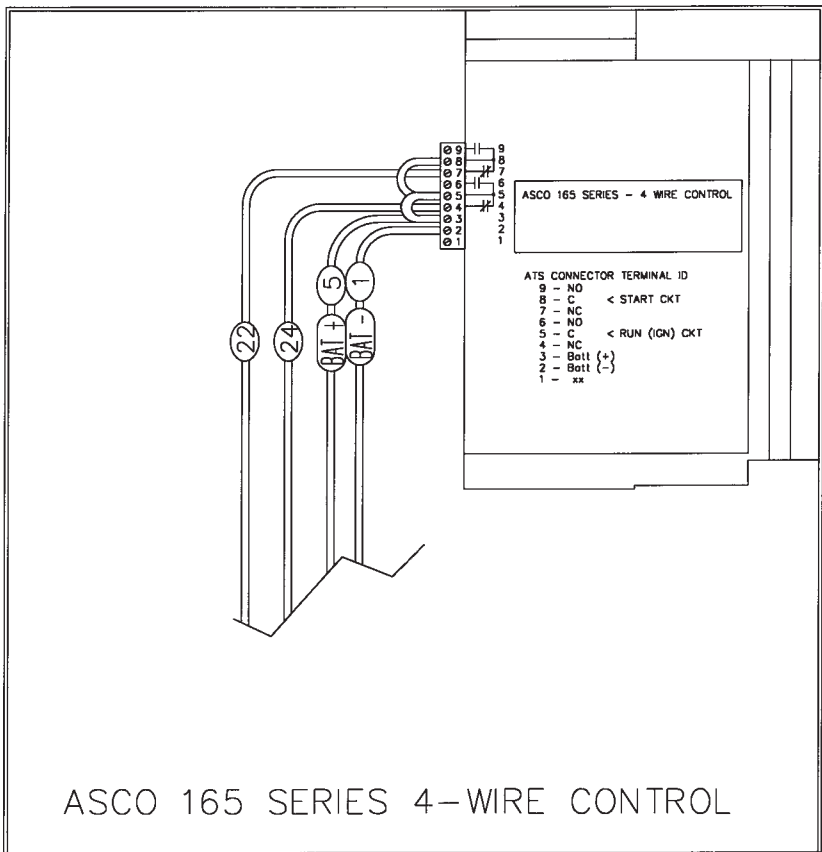


REF#	PART NUMBER	QTY	DESCRIPTION
1	16437-401	1	Right Hand Shield Support
2	16437-402	1	Left Hand Shield Support
3	16438-400	1	Muffer Heat Shield
4	16439-400	1	Tailpipe Heat Shield
5	16412-401	1	Tailpipe Support
6	16442-400	1	Muffer Air Deflector
7	16404-001	1	Exhaust Tailpipe
8	16443-000	1	Heat Shield Extension
9	93489-015	2	Muffer Clamp
10	VHRM4 Code# 621900	1	Honda Muffer Available from Honda Only
11	21698-001	19	#10 x 3/8 Self Tapping Screws
12	16237-001	1	Spark Arrester

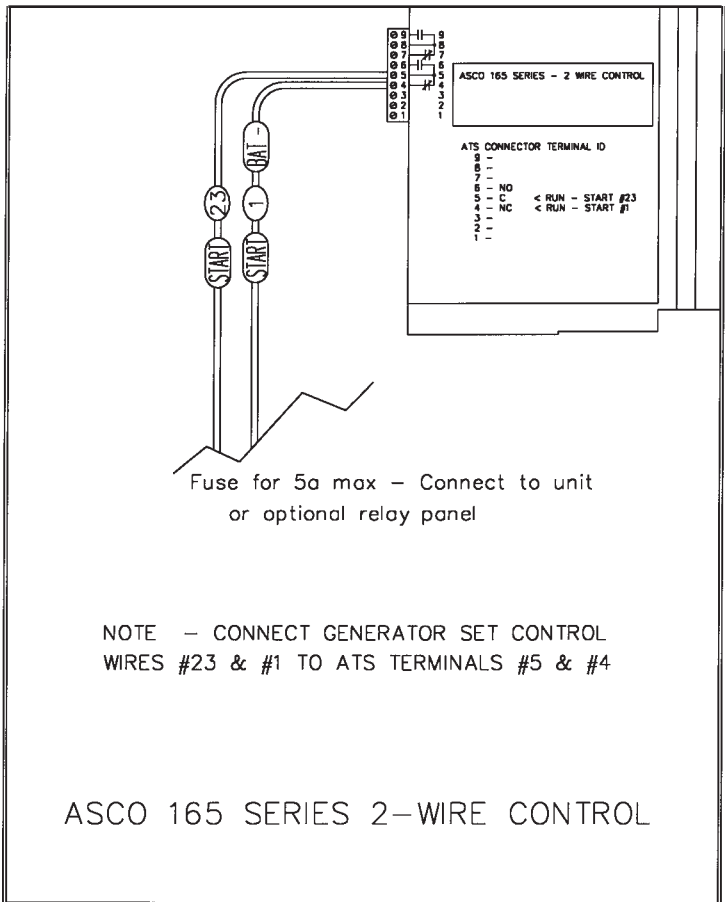
# GENERATOR ASSEMBLY



REF	QTY	DESCRIPTION	PSS12H/A
1	1	Terminal Box Adapter	300330-410
2	1	Generator Cover	300322-410
8	1	Stator	300323-203
9	1	Engine Bracket	300323-204
14	1	Rotor	300323-205
15	1	Fan	300323-206
19	1	Bearing	54665-000
26	1	Diode	300323-207
27	1	Varistor	300323-208
39	2	Protection Screen	64857-006
40	1	Tolerance Ring	300323-210
107	1	Rubber Cap	300323-211
NI	2	Capicator 35 mf/425 V	300323-212

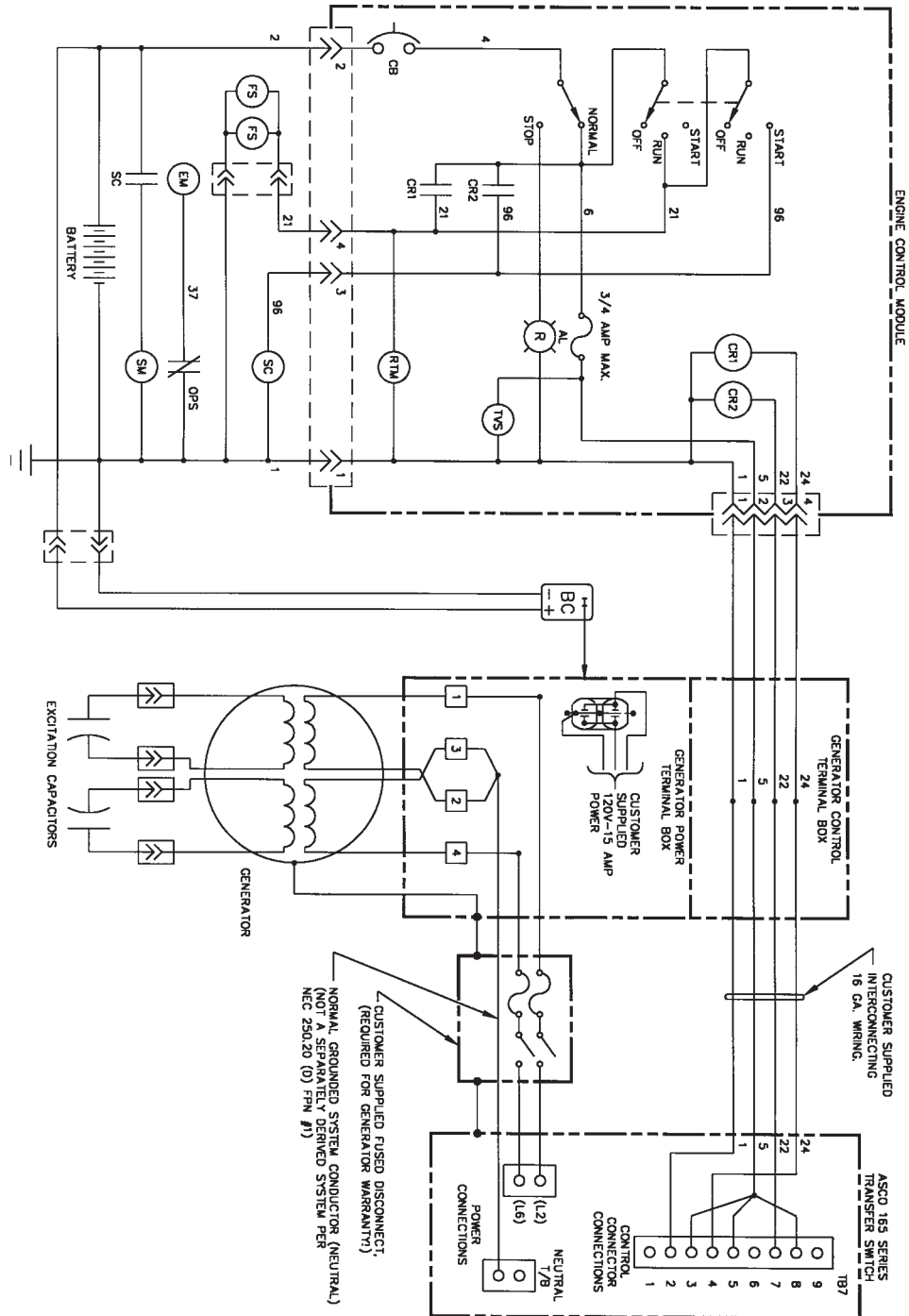


ASCO 165 SERIES 4-WIRE CONTROL



ASCO 165 SERIES 2-WIRE CONTROL

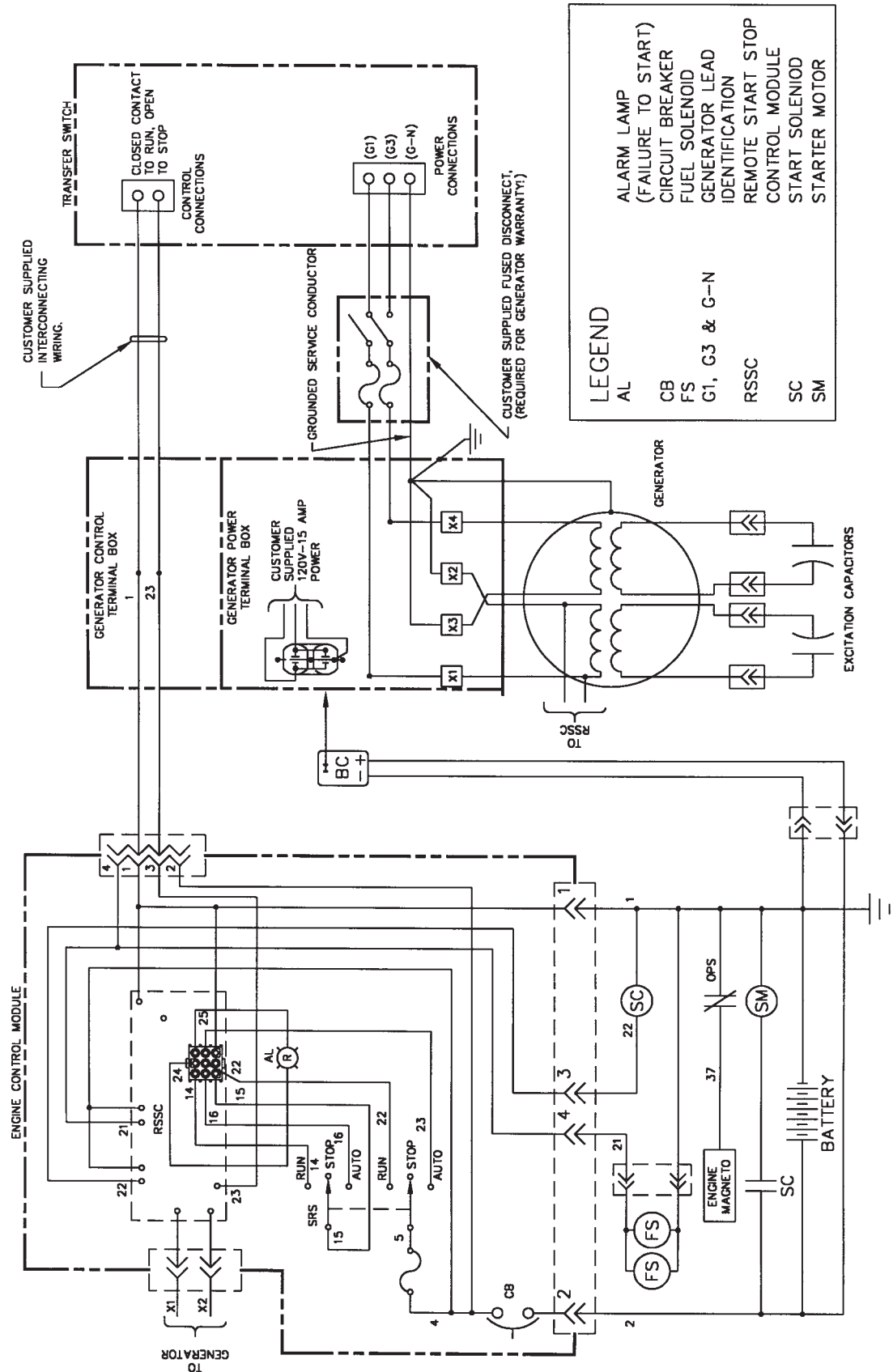
# AC AND DC GENERATOR SCHEMATIC FOR 4-WIRE ENGINE CONTROL



## LEGEND

- AL ALARM LAMP (SYSTEM OFF)
- BC BATTERY CHARGER
- CB CIRCUIT BREAKER
- CR CONTROL RELAY
- EM ENGINE MAGNETO
- FS FUEL SOLENOID
- OPS OIL PRESSURE SWITCH
- RTM RUNNING TIME METER
- SC START CONTACTOR
- SM STARTER MOTOR
- TVS TRANSIENT VOLTAGE SUPPRESSOR

# AC AND DC GENERATOR SCHEMATIC FOR 2-WIRE ENGINE CONTROL



# NOTES

**WINGO INC**<sup>®</sup>  
*A Division of DTE Dyna Technology Inc*

225 South Cordova Avenue

Le Center MN 56057

507-357-6831

[www.wincogen.com](http://www.wincogen.com)