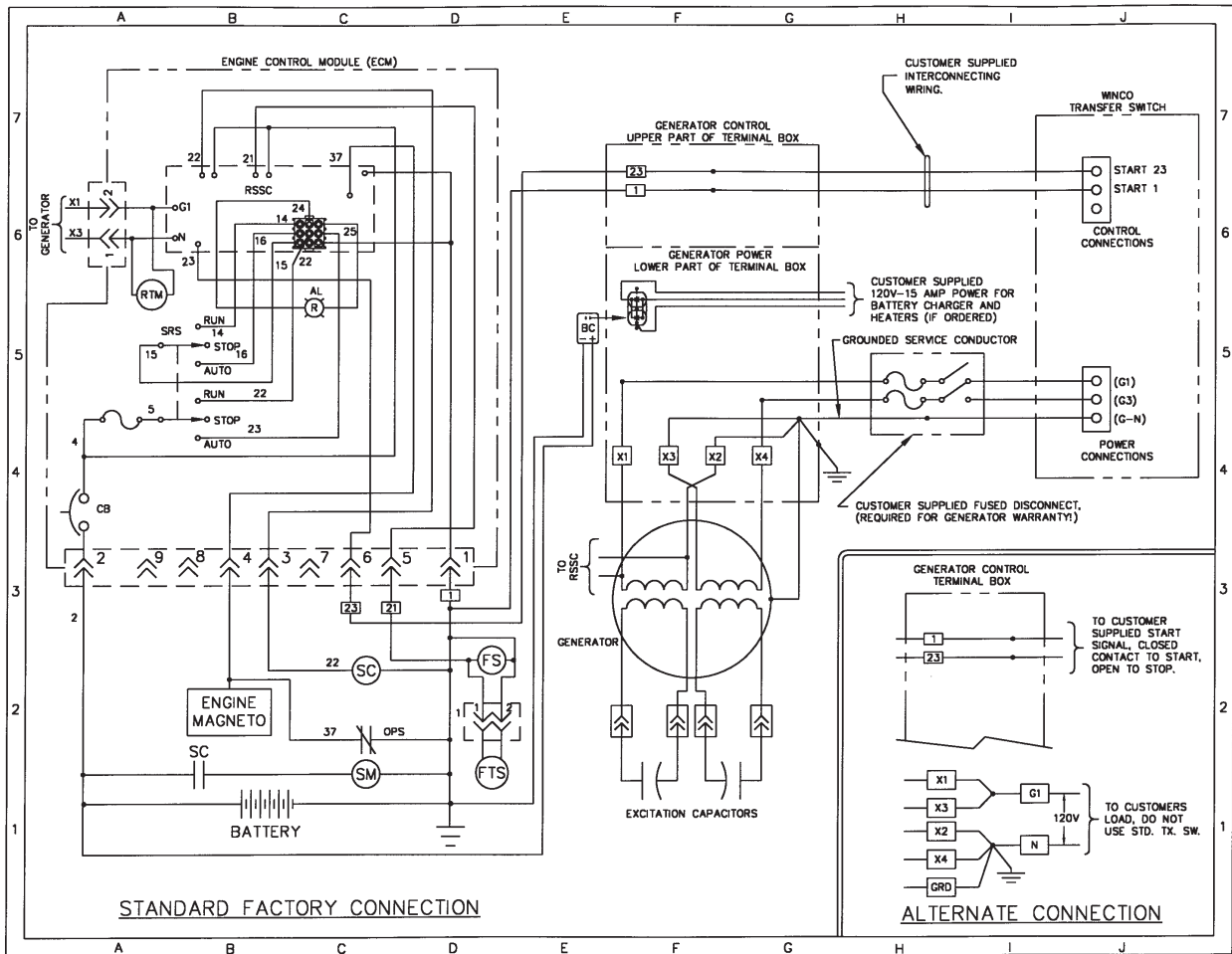


ILLUSTRATED PARTS LISTS



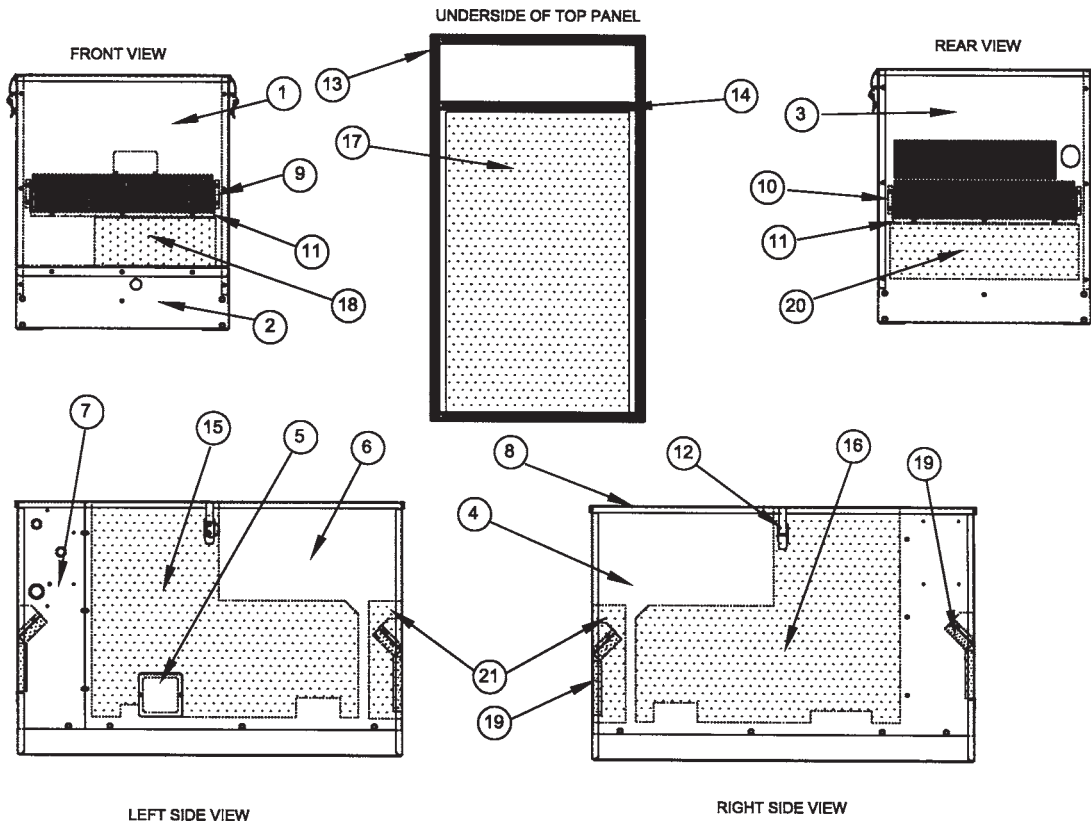
LEGEND

AL	ALARM LAMP (FAILURE TO START)
BC	BATTERY CHARGER
CB	CIRCUIT BREAKER
FS	FUEL SOLENOID
FTS	FUEL TRANSFER SOLENOID (SEE NOTE)
G1, G3 & G-N	GENERATOR LEAD IDENTIFICATION
X1, X2, X3 & X4	GENERATOR PHASE LEADS
N	NEUTRAL
RSSC	REMOTE START STOP CONTROL MODULE
SC	STARTER MOTOR CONTACTOR
SM	STARTER MOTOR
SRS	AUTO-STOP-RUN SWITCH

AC AND DC GENERATOR SCHEMATIC

HOUSING ASSEMBLY

Model	PSS8.5/A PSS10/A	PSS8.5/B PSS10/B PSS12/A		
REF	PART NUMBER	PART NUMBER	QTY	DESCRIPTION
1	300258-10	300258-10	1	Front Panel
2	300316-10	300378-10	1	Lower Front Panel
3	300259-10	300377-10	1	Rear Panel
4	300257-10	300395-10	1	Right Side Panel
5	300274-10	300274-10	1	Oil Drain Access Panel
6	300256-10	300396-10	1	Left Rear Side Panel
7	300305-10	300305-10	1	Left Front Side Panel
8	300260-10	300260-10	1	Top Panel
9	300317-12	300317-12	2	Right Side Baffle Mount
10	300317-11	300317-11	2	Left Side Baffle Mount
11	300318-10	300318-10	2	Baffle
12	300344	300344	2	Draw Latch
13	62912-000	62912-000	2'	1/2" Neoprene Strip
14	62912-001	62912-001	13'	7/8" Neoprene Strip
15	300333-2	300333-2	1	Insulation Foam
16	300333-3	300333-3	1	Insulation Foam
17	300333-4	300333-4	1	Insulation Foam
18	300333-5	300333-5	1	Insulation Foam
19	300333-6	300333-6	2	Insulation Foam
20	300333-7	300333-7	1	Insulation Foam
21	300333-3	300333-8	2	Insulation Foam

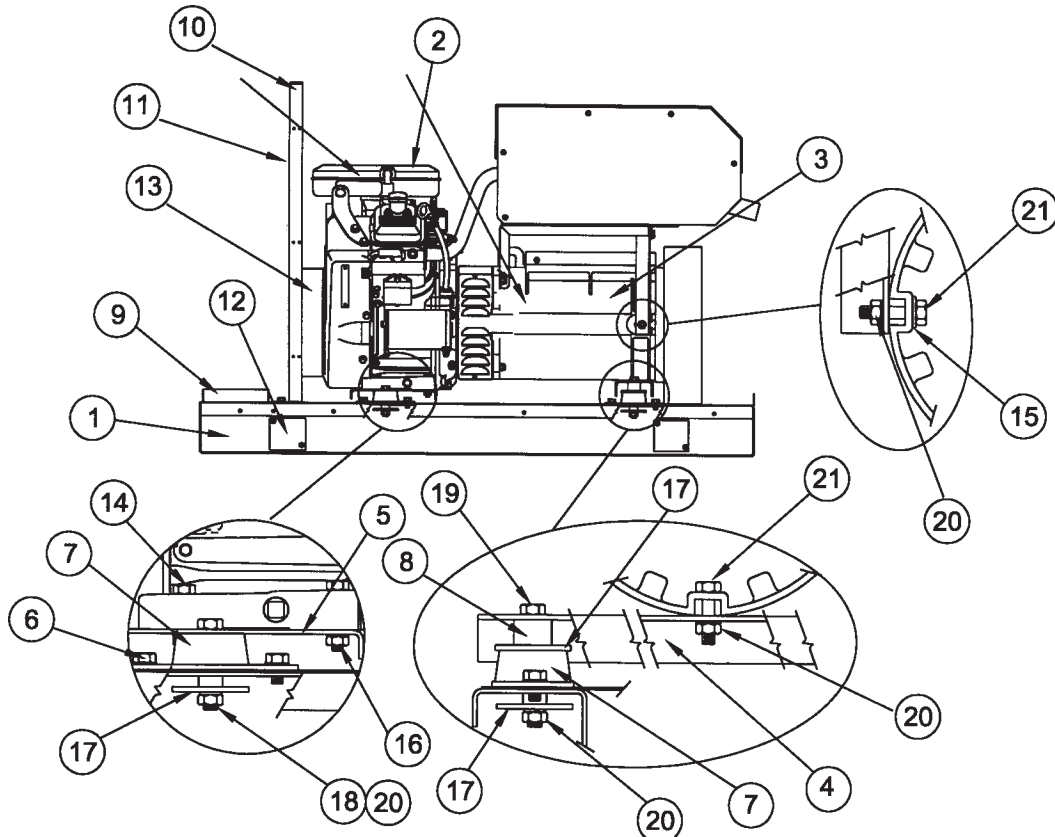


ENGINE GENERATOR ASSEMBLY

REF	PART NUMBER		QTY	DESCRIPTION
	PSS8.5	PSS10		
1	300376-11*	300376-00*	300376-11*	1 Base Assembly
2	16288-000	16289-000	16290-000	1 Engine
	304447	354447	384447	B&S Model
	0320-E1	0331-E1	0111-E1	Type Code
3	300346-10	300346-10	300392-10	1 Generator
4	300275-10	300275-10	300275-10	1 Generator Mounting Bracket
5	300250-10	300250-01	300252-10	1 Engine Mounting Bracket
6	62173-001	62173-001	62173-001	8 5/16 Self Tapping Screws
7	98807-000	98807-000	98807-000	4 Shockmounts
8	300040-1	300040-1	300040-1	2 Spacer
9	300261	300621	300261	1 Battery Tray
10	300306-10	300306-10	300306-10	1 Engine Compartment Divider
11	300333-1	300333-1	300333-1	1 Insulation Foam
12	300385-10	300385-10	300385-10	4 Lifting Hole Cover
13	300276-10	300276-10	300279-10	1 Engine Duct Adapter
14	468-000	468-000	468-000	4 5/16"-18X1-1/2" Hex Head Bolt
15	526-000	526-000	526-000	2 3/8" Flat Washer
16	16249-000	16249-000	16249-000	4 5/16"-18 Flange Nut
17	98806-000	98806-000	988096-000	6 3/8" ID 2" OD Flat Washer
18	91658-007	91658-007	91658-007	2 3/8"-16X2-1/2" Hex Head Bolt
19	91658-014	91658-014	91658-014	2 3/8"-16x3-1/2" Hex Head Bolt
20	16250-000	16250-000	16250-000	7 3/8"-16 Flange Nut
21	91658-002	91658-002	91658-002	3 3/8"-16x1-1/4" Hex Head Bolt

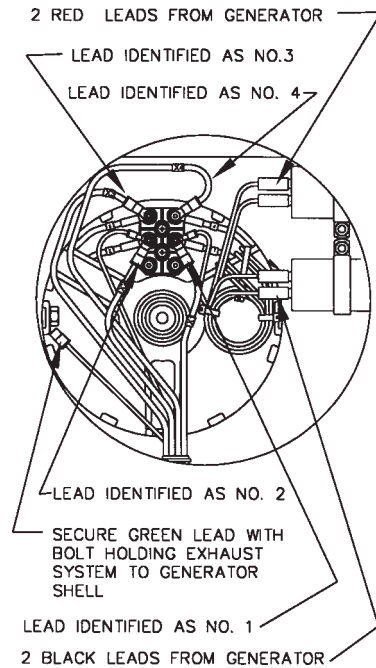
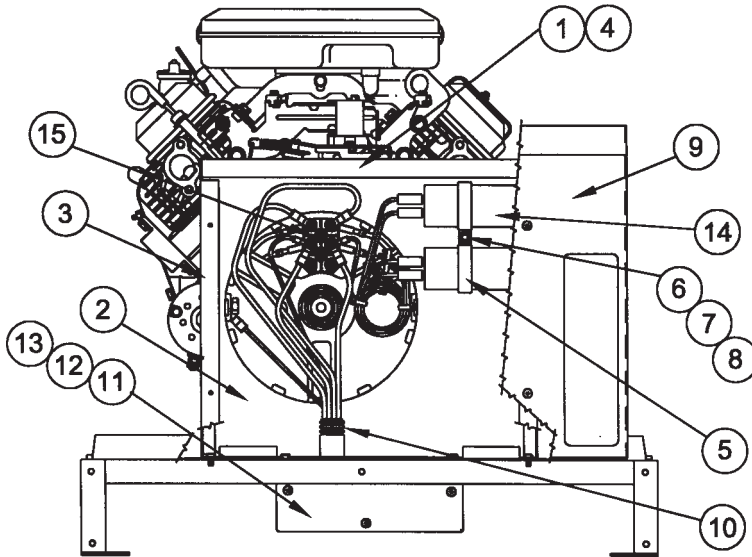
* This base is used on the PSS8.5/B, PSS10/B and PSS12/A only.

See Page 6 for PSS8.5/A and PSS10/A base, all other parts are used on all models

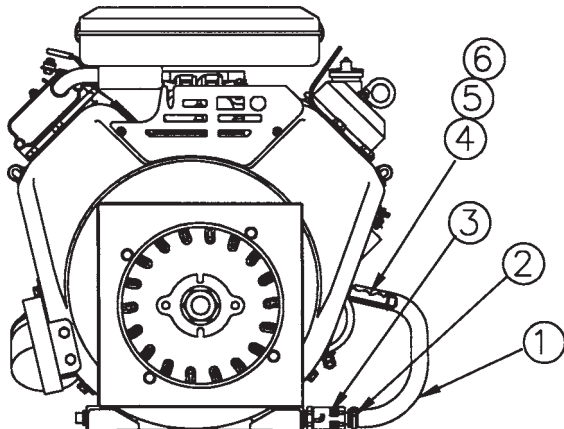


GENERATOR CONNECTION BOX

REF	PART NUMBER	QTY	DESCRIPTION
1	300329-10	1	Terminal Box
2	97468-017	1	Insulation, Back Wall
3	97468-018	2	Insulation, Side Wall
4	97468-019	1	Insulation, Top
5	97391-009	2	Insulated Clamp
6	62825-006	2	Spacer
7	95281-000	2	1/4-20X1-1/4 Hex Head Bolt
8	16248-000	2	Flange Nut
9	300294-10	1	Terminal Box Cover
10	300354	1	AC Wiring Harness
11	300379-10	1	Generator Air Duct
12	300380-10	1	Duct End Cover
13	300333-9	1	Insulation, Duct
14	300323-112	2	Capacitor
15	300323-113	1	Terminal Block



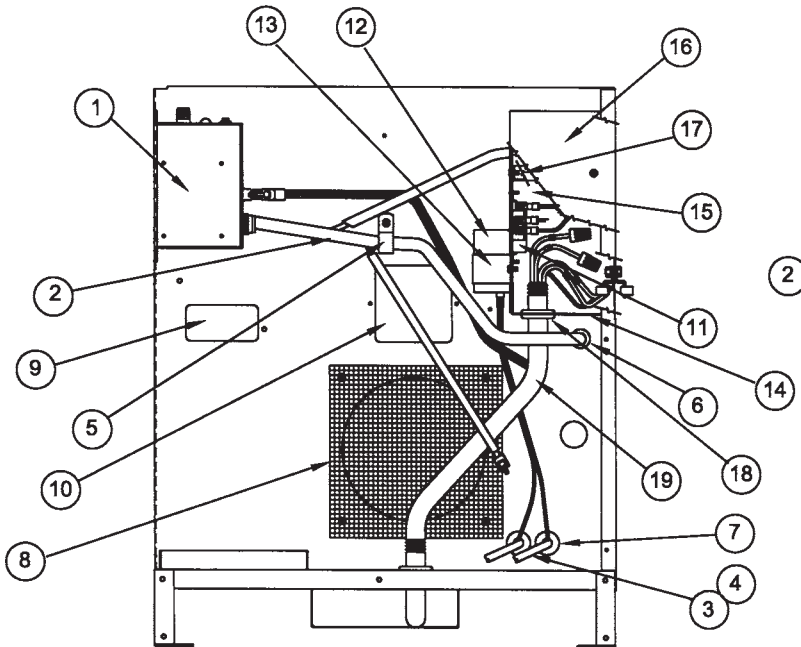
ENGINE OIL DRAIN



REF	PART NUMBER	QTY	DESCRIPTION
1	62286-001	1	1/2" I.D. Neoprene Hose
2	62999-004	1	Hose Clamp
3	300349	1	Oil Drain Valve
4	62825-001	1	Tubular Split Spacer
5	64616-000	1	M6X1.0X50MM Socket Head Bolt
6	479-000	1	1/4" Split Lockwasher

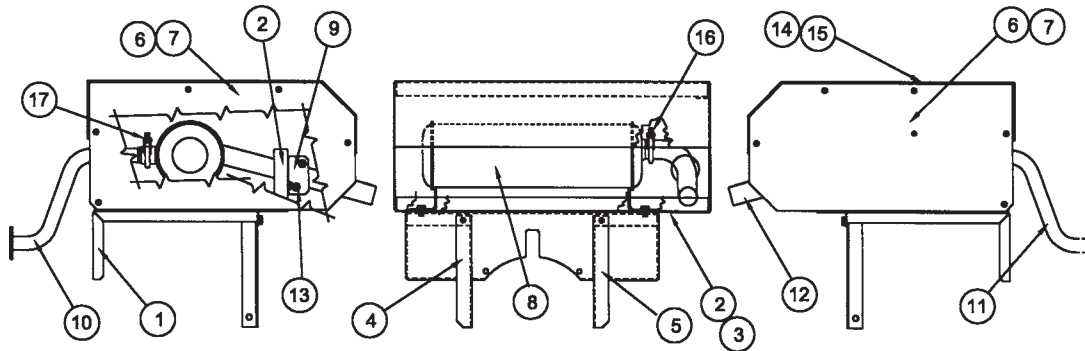
AC & DC CONTROLS

REF	PART NUMBER	QTY	DESCRIPTION
1	16294-401	1	Engine Control Assembly
2	300352	1	PSS8.5 Engine Wiring
2	300352	1	PSS10 & 12 Engine Wiring
3	15767-001	1	Positive Battery Cable
4	15767-007	1	Negative Battery Cable
5	48039-014	1	Nylon Clamp
6	23917-000	1	Grommet
7	23917-002	2	Grommet
8	91644-005	1	Air Screen
9	300331-10	1	Cover Plate
10	300274-10	1	Cover Plate
11	24749-000	1	Duplex Receptacle
12	16287-000	1	Battery Charger
13	300308-10	1	Charger Hold Down
14	300278-00	1	Terminal Box
15	300210-10	1	Terminal Box Back Panel
16	300310-10	1	Terminal Box Cover Panel
17	300309-10	1	Terminal Box Divider Panel
18	62486-000	1	Grommet
19	300354	1	AC Wiring Harness

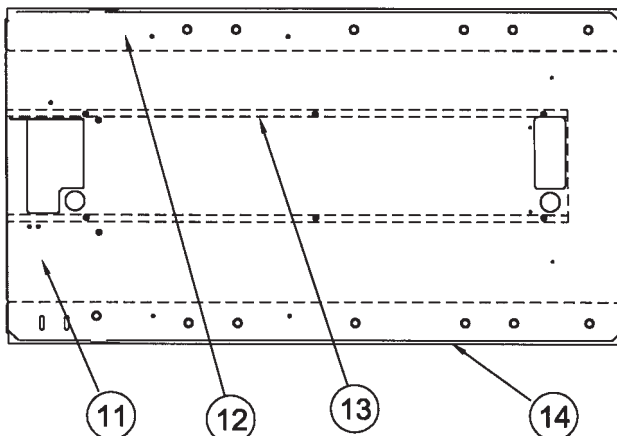


MUFFLER ASSEMBLY

REF	PART NUMBER	QTY	DESCRIPTION
1	300295-10	1	Muffler Support
2	300296	1	Lower Muffler Heat Shield
3	300337-1	1	Lower Heat Shield Insulation
4	300299-11	1	Left Brace
5	300299-12	1	Right Brace
6	300298	2	Side Muffler Heat Shield
7	300337-2	2	Side Heat Shield Insulation
8	300324	1	Muffler
9	300311	1	Tailpipe Support
10	300286-1	1	Left Exhaust Pipe PSS12
10	300287-1	1	Left Exhaust Pipe PSS8.5 & 10
11	300286-2	1	Right Exhaust Pipe PSS12
11	300287-2	1	Right Exhaust Pipe PSS8.5 & 10
12	300303	1	Exhaust Tailpipe
13	93489-010	1	1-1/4" Muffler Clamp
14	300297	1	Top Muffler Heat Shield
15	300337-3	1	Top Heat Shield Insulation
16	93489-009	1	1-3/8" Muffler Clamp
17	93489-014	2	1-1/8" Muffler Clamp



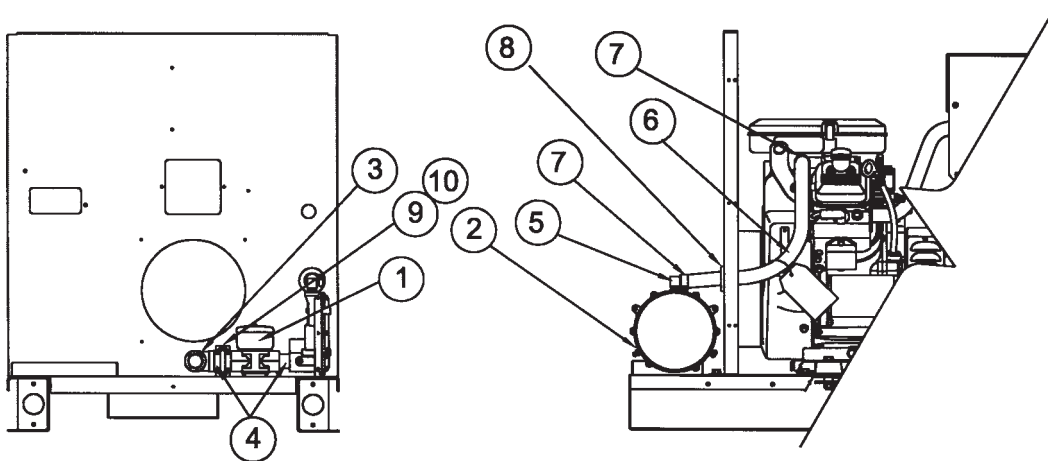
BASE ASSEMBLY FOR PSS8.5/A AND PSS10/A



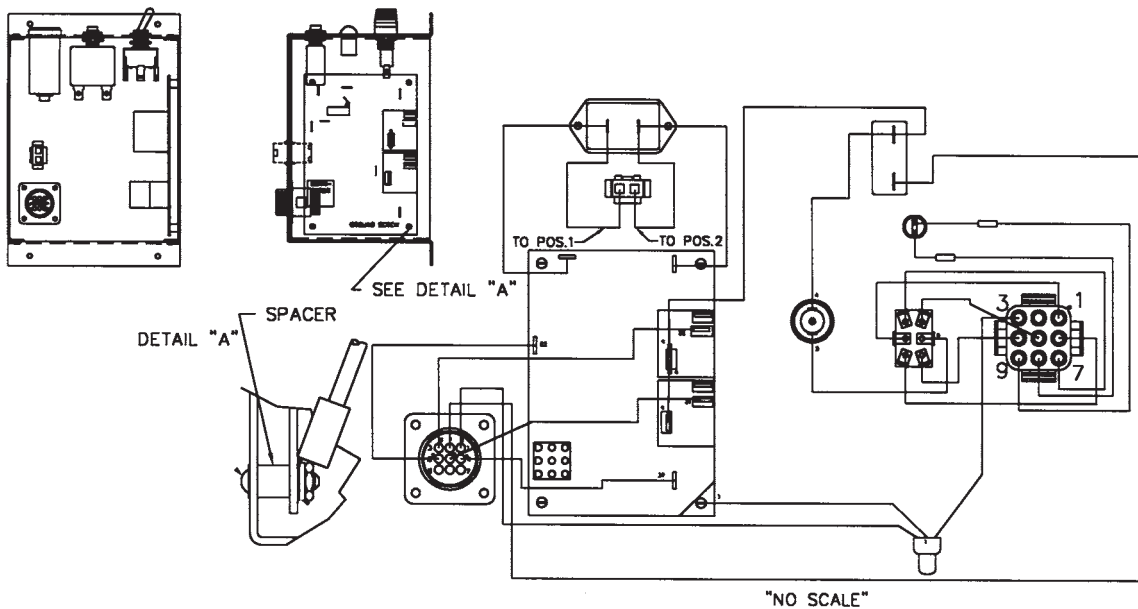
REF	PART NUMBER	QTY	DESCRIPTION
11	300289-10	1	Base Top Deck
12	300249-12	1	Right Side Rail
13	300381-10	1	Generator Air Duct
14	300249-11	1	Left Side Rail

FUEL SYSTEM

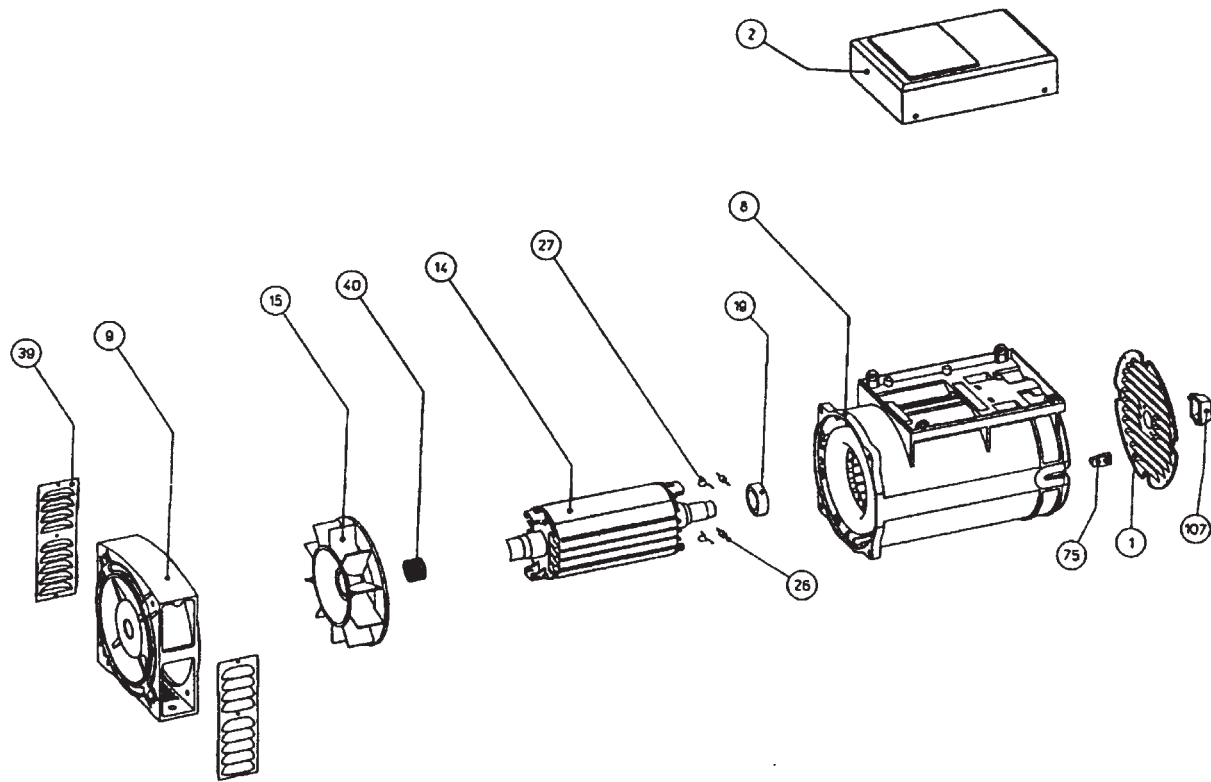
REF	PART NUMBER	QTY	DESCRIPTION
1	42942-000	1	Fuel Solenoid
2	55559-002	1	Fuel Regulator
3	50244-000	1	Elbow 3/4"
4	54074-003	2	Pipe Nipple 3/4"
5	92392-004	1	Hose Barb
6	23048-006	1	Fuel Hose (18")
7	81018-005	2	Hose Clamps
8	16302-000	1	Grommet
9	93489-002	1	Clamp
10	300334	1	Pipe Support Bracket



ENGINE CONTROL WIRING DIAGRAM



GENERATOR ASSEMBLY



REF	PART NUMBER PSS8.5 & PSS10	PSS12	QTY	DESCRIPTION
1	300323-101	300323-201	1	End Plate
2	300323-102	300323-202	1	Generator Cover
8	300323-103	300323-203	1	Stator
9	300323-104	300323-204	1	Engine Bracket
14	300323-105	300323-205	1	Rotor
15	300323-106	300323-206	1	Fan
19	54665-000	54665-000	1	Bearing
26	300323-107	300323-207	1	Diode
27	300323-108	300323-208	1	Varistor
39	300323-109	300323-209	2	Protection Screen
40	300323-110	300323-210	1	Tolerance Ring
107	300323-111	300323-211	1	Rubber Cap

WINCO INC
A Division of DTE - Dyna Technology Inc
 225 South Cordova Avenue
 Le Center MN 56057
 507-357-6831