

Brief # Stratton 8hp.
Tank Above

-- 04/19/88 -- PARTS LIST 60701-103 - WINCO 'HP SERIES' AC GENERATORS

HP4500 / B HP6000E

| REF# | DESCRIPTION | PART # | QTY | PART # | QTY |
|------|------------------------|-----------|-----|-----------|-----|
| 102 | HX.ACORN NUT 5/16-24 | 44948-000 | 1 | 44948-000 | 1 |
| 103 | HEX JAM NUT 5/16X24 | 44894-000 | 2 | 44894-000 | 2 |
| 110 | ENG-BRIGGS #195432 | 64090-000 | 1 | | --- |
| | *ENG-BRIGGS #254427 | | --- | 64128-000 | 1 |
| 112 | CONSERVER MOUNT.BRKT | 44927-000 | 1 | 61096-000 | 1 |
| 114 | STEEL EXTENSION | 44892-000 | 1 | 44892-000 | 1 |
| 123 | COVER | 44891-000 | 1 | 44891-000 | 1 |
| 127 | MOUNTING STRAP | 64045-001 | 2 | 64045-001 | 2 |
| 128 | MOUNTING STRAP | 64045-002 | 1 | 64045-002 | 1 |
| 201 | GROUND TERMINAL | 64211-000 | 1 | 64211-000 | 1 |
| 210 | GROUND STRIP | 41387-011 | 1 | 41387-009 | 1 |
| 211 | GROUND STRIP | 41387-017 | 2 | 41387-015 | 4 |
| 212 | BACK PANEL | 64035-000 | 1 | 64035-000 | 1 |
| 223 | STARTER SWITCH | | --- | 2210-000 | 1 |
| 230 | DC PANEL ASSY | | --- | 64161-000 | 1 |
| 240 | AC PANEL ASSY-HP | 64095-000 | 1 | 64095-000 | 1 |
| 241 | ELECTRO MAGNET | 44889-000 | 1 | 44889-000 | 1 |
| 243 | RESISTOR 50W 150 OHM | 48583-000 | 1 | 48583-000 | 1 |
| 244 | TRANSFORMER-CONSERV. | 54196-000 | 1 | 54196-000 | 1 |
| 249 | FRONT PANEL | 64032-000 | 1 | 64032-000 | 1 |
| 251 | AUTO CONSERVER MODULE | 48574-000 | 1 | 48574-000 | 1 |
| 252 | RECEPT NEMA 5-15R | 24749-000 | 2 | 24749-000 | 2 |
| 255 | RECEPT NEMA 5-50R | 54545-000 | 1 | 54545-000 | 1 |
| 272 | RECEPT NEMA L5-20R | 56279-000 | 1 | 56279-000 | 1 |
| 273 | RECEPT NEMA L5-30R | 56359-000 | 1 | 56359-000 | 1 |
| 282 | RECEPT NEMA L6-20R | 56281-000 | 1 | 56281-000 | 1 |
| 294 | ROCKER SWITCH SPST | 64089-000 | 2 | 64089-000 | 2 |
| 401 | FAN ASSY | 55101-000 | 1 | 55101-000 | 1 |
| 402 | STUD (THRU BOLT) | 23197-022 | 1 | 23197-011 | 1 |
| 411 | END BRACKET-DIECAST | 64018-000 | 1 | 64018-000 | 1 |
| 430 | ARM & BEARING ASSY | 64301-000 | 1 | 64146-000 | 1 |
| 432 | BEARING 6203-2RS | 55223-000 | 1 | 55223-000 | 1 |
| 440 | FLD SHL & COIL ASSY | 64304-000 | 1 | 64149-001 | 1 |
| 441 | FIELD COIL ASSY | 64104-000 | 2 | 64170-000 | 2 |
| 442 | POLE SHOE ASSY 2.875 | 64106-000 | 2 | 64295-000 | 2 |
| 443 | POLE SHOE RETAINER | 64123-000 | 2 | 64145-000 | 2 |
| 444 | MACH FLD RG 11.25X3 | 64305-000 | 1 | 64005-000 | 1 |
| 447 | BRUSH-AC | 23607-000 | 6 | 23607-000 | 9 |
| 460 | BR HLDR & RACK ASSY | 64303-000 | 1 | 64150-000 | 1 |
| 461 | BR HLDR & RACK ASSY | 64151-000 | 1 | 64151-000 | 1 |
| 462 | BRUSH HOLDER A.C. | 59690-000 | 6 | 59690-000 | 9 |
| 463 | CAPACITOR ASSY-0.1 mfd | 41221-000 | 2 | 41221-000 | 2 |
| 465 | BRUSH PLATE | 64148-000 | 1 | 64148-000 | 1 |
| 466 | BRUSH PLATE | 64169-000 | 1 | 64169-000 | 1 |

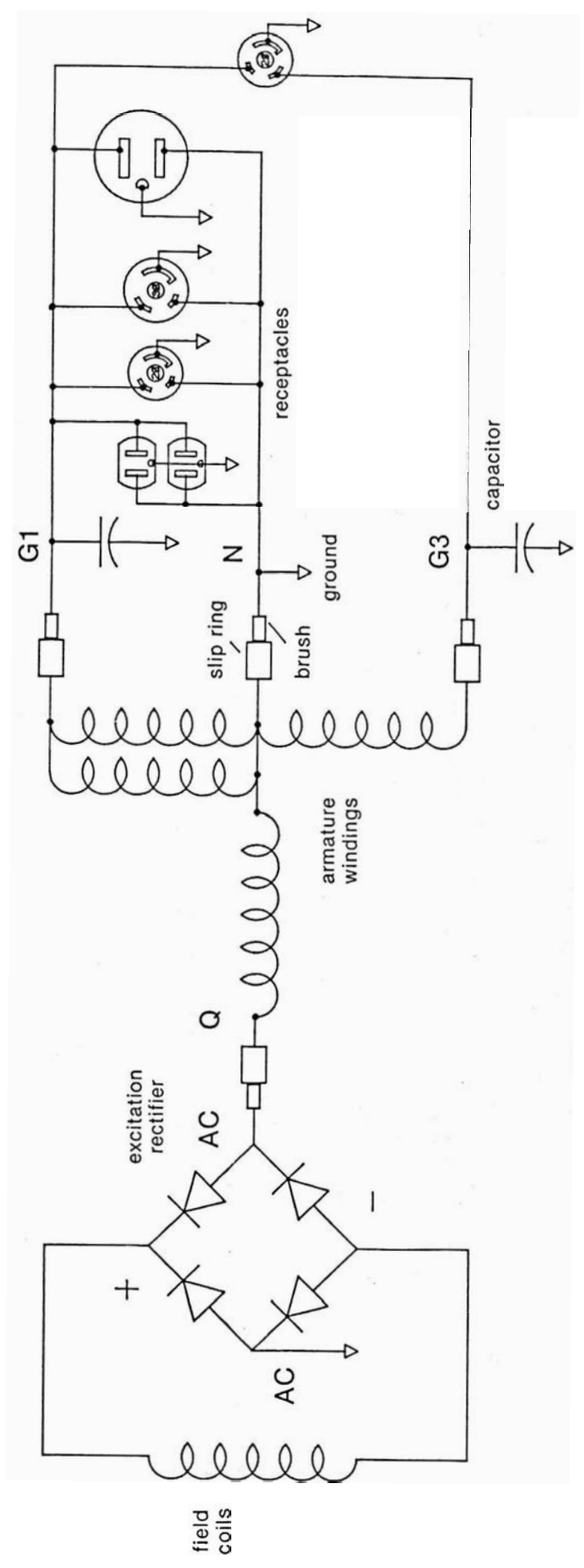
-- 04/19/88 -- PARTS LIST 60701-103 - WINCO 'HP SERIES' AC GENERATORS

| REF# | DESCRIPTION | HP4500 | | HP6000E | |
|------|------------------------|-----------|-----|-----------|-----|
| | | PART # | QTY | PART # | QTY |
| 469 | BARRIER SPACER | 59688-000 | 6 | 59688-000 | 8 |
| 486 | RECTIFIER | 53976-000 | 1 | 53976-000 | 1 |
| 491 | WELDED END CVR ASSY | 55438-017 | 1 | 55438-017 | 1 |
| 499 | LOOM- 0.7 OD X 0.75 FT | 62487-004 | 1 | 62487-004 | 1 |
| 601 | CRADLE ASSY DX-HP | 64027-000 | 1 | 64027-000 | 1 |
| 602 | FORMED BRACKET | 64113-000 | 1 | 64113-000 | 1 |
| 608 | SHOCKMOUNT - ENG END | 64272-000 | 2 | 64062-000 | 2 |
| 609 | SHOCKMOUNT - GEN END | 64062-000 | 2 | 64062-000 | 2 |
| 610 | UNIT TOP COVER | 64039-001 | 1 | 64039-001 | 1 |
| 621 | COVER MOUNTING BRKT | 64042-000 | 2 | 64042-000 | 2 |
| 650 | *BAT RACK GRP | | --- | 64100-000 | 1 |
| 651 | BATTERY RACK | | --- | 64028-000 | 1 |
| 652 | BATTERY HOLD DOWN | | --- | 64029-000 | 1 |
| 811 | FUEL VALVE PANEL | 64040-000 | 1 | 64040-000 | 1 |
| 815 | FUEL VALVE | 64091-000 | 1 | 64091-000 | 1 |
| 817 | FUEL TANK- 4.5 GALLON | 64024-000 | 1 | 64024-000 | 1 |
| 820 | FUEL CAP/GAUGE | 62396-003 | 1 | 62396-003 | 1 |
| 825 | BAFFLE | 64041-000 | 1 | 64041-000 | 1 |
| 831 | FOAM STRIP- 0.8" X 3ft | 64101-000 | 1 | 64101-000 | 1 |

excitation circuit

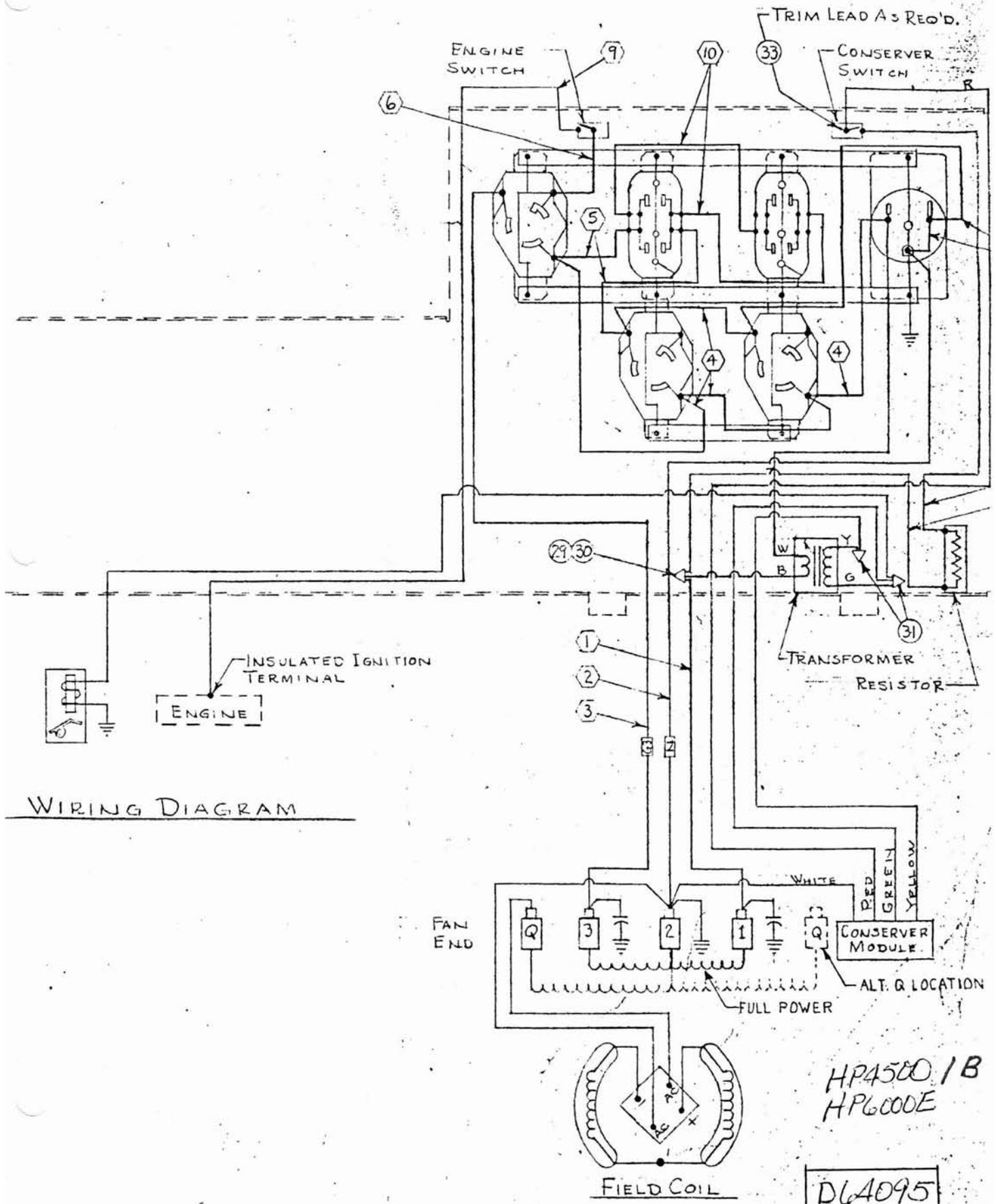
power circuit

output



SCHEMATIC WIRING DIAGRAM

BACK VIEW
SHOWN W/O BACK PANEL FOR CLARITY



WIRING DIAGRAM

HP4500 / B
HP6000E

DL4095