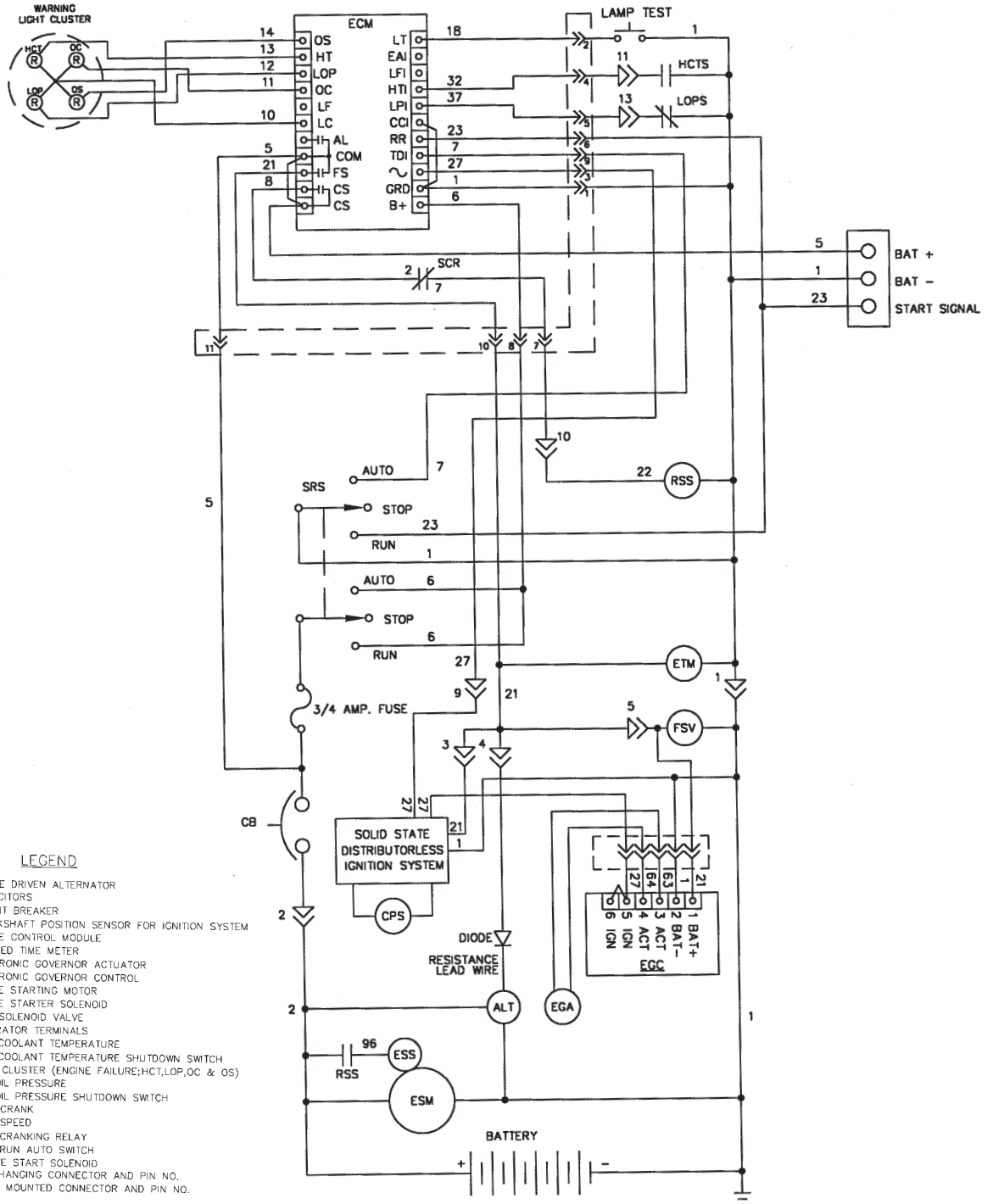


# WINCO®

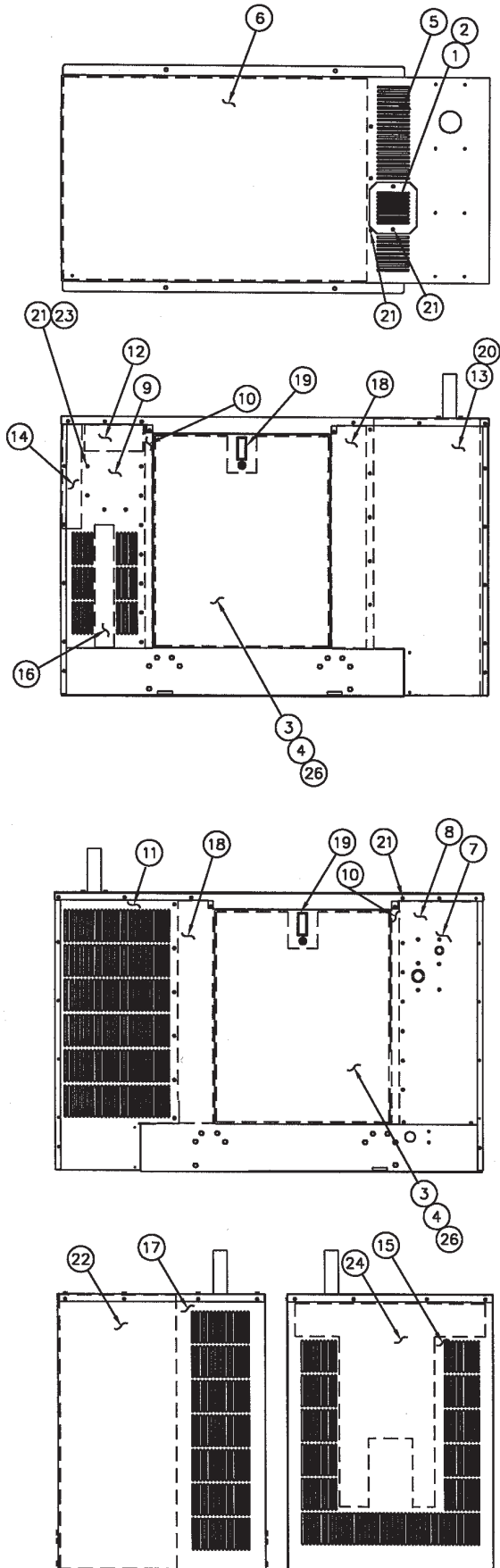
## PARTS LIST

### PSS20000/B

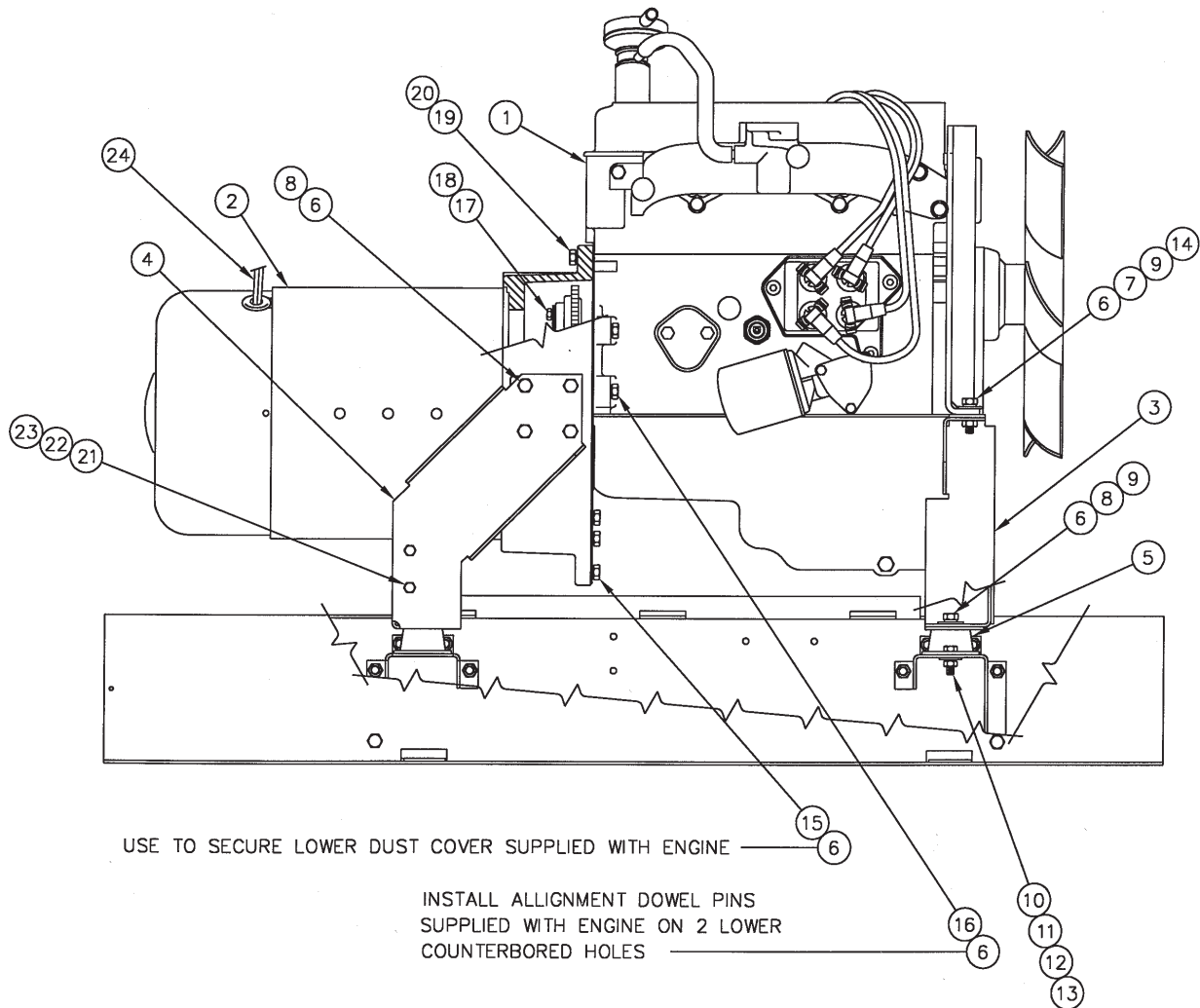
### DC SCHEMATIC



# GENERATOR HOUSING AND ACOUSTICAL FOAM



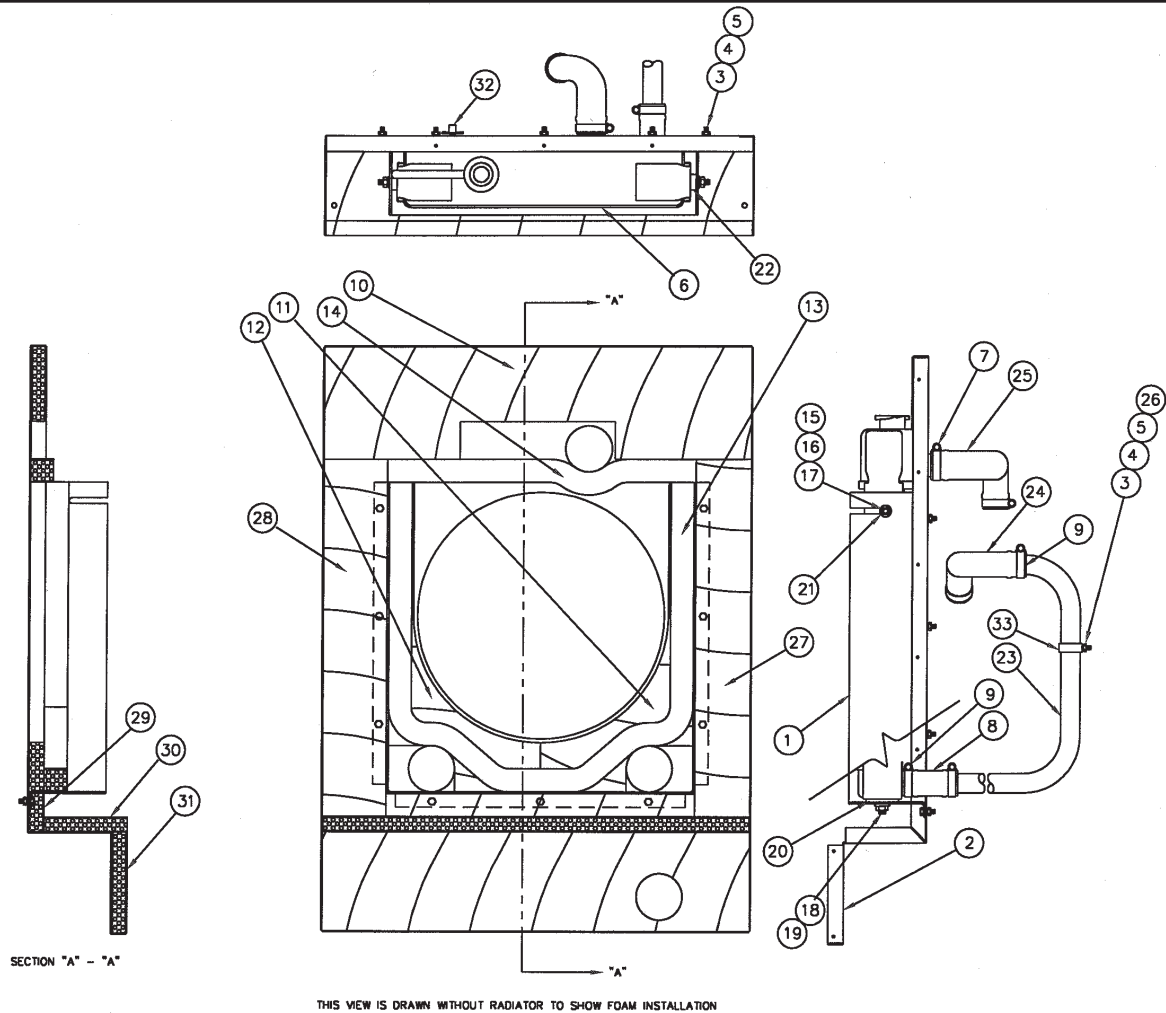
REF	PART NBR	QTY	DESCRIPTION
1	62026-001	1	Coolant Access Plate
2	62912-000	14"	Adhesive Weather Stripping
3	15680-001	2	Door
4	64656-401	2	Acoustical Foam
5	62099-001	1	Top Panel
6	64656-402	1	Acoustical Foam
7	63712-001	1	Left Rear Side Panel
8	64656-403	1	Acoustical Foam
9	63712-002	1	Right Rear Side Panel
10	64656-404	2	Acoustical Foam
11	63748-003	1	Left Front Side Panel
12	64656-405	1	Acoustical Foam
13	63748-004	1	Right Front Side Panel
14	64656-406	1	Acoustical Foam
15	63711-002	1	Generator End Panel
16	64656-407	1	Acoustical Foam
17	63711-003	1	Engine End Panel
18	64656-402	2	Acoustical Foam
19	95229-004	2	Door Latch
20	64656-409	1	Acoustical Foam
21	21698-002	100	#10 X 3/8 Sheet Metal Screw
22	64666-401	1	Acoustical Foam
23	55440-000	10	1/4-20 X 1/2 Self Tapping Screw
24	64666-402	1	Acoustical Foam
26	62912-000	20'	Adhesive Weather Stripping



## ENGINE GENERATOR MOUNTING

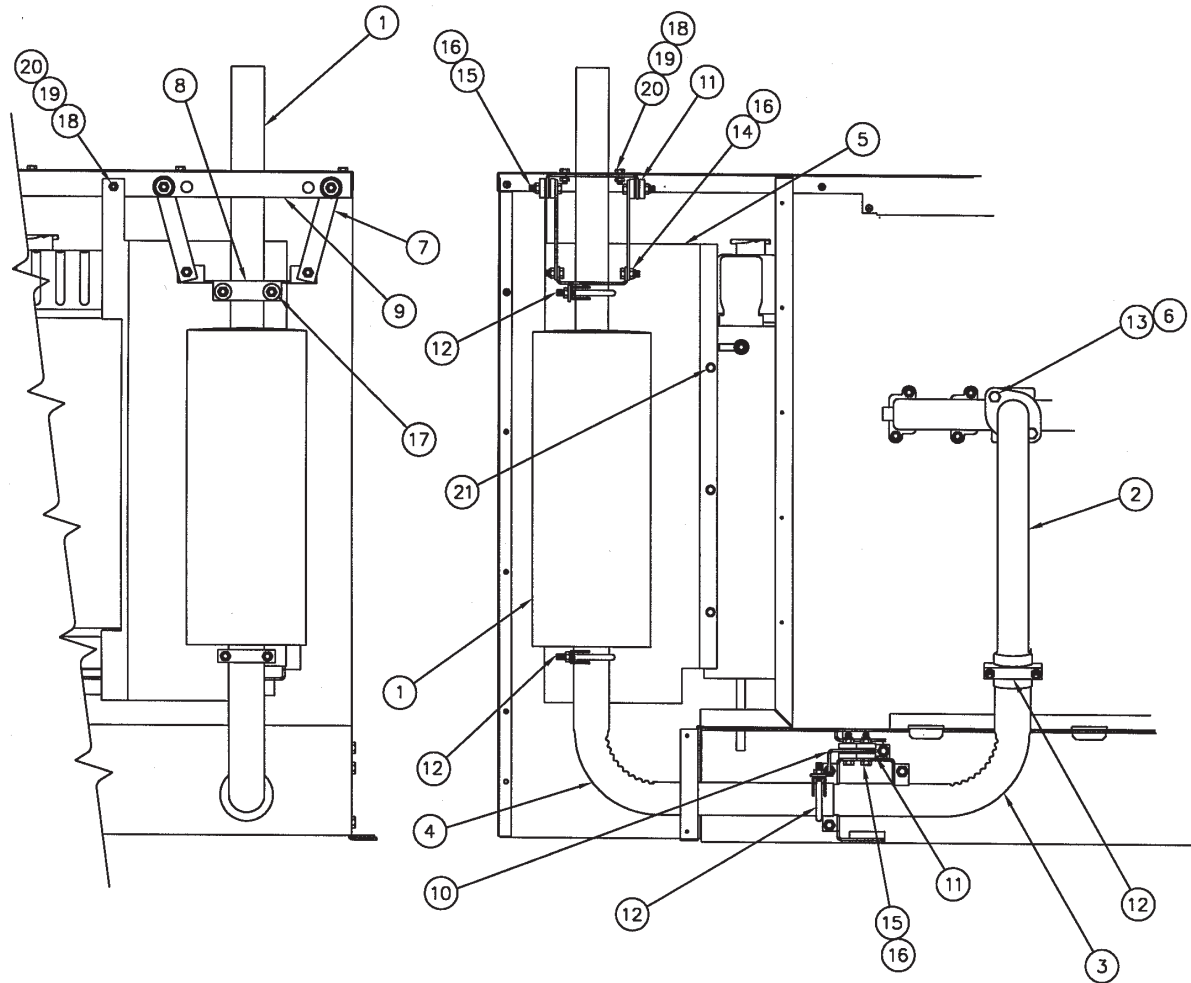


REF	PART NBR	QTY	DESCRIPTION	REF	PART NBR	QTY	DESCRIPTION
1	63803-004	1	Engine - Ford VSG411	15	464-000	3	3/8-16 x 3/4 Hex Head Bolt
2	64644-xxx	Ref	Generator Assembly	16	91658-003	4	3/8-16 x 1-1/2 Hex Head Bolt
3	63797-001	1	Engine Support Assy	17	96002-016	6	M8 x 1.25 x 16 MM Bolt
4	63793-001	1	Generator Support Brkt	18	480-001	6	M8 Split Lockwasher
5	99050-000	3	Shockmounts	19	94282-035	2	M10 x 1.50 x 35 MM Bolt
6	481-000	13	3/8 Split Lockwasher	20	93341-010	2	M10 Split Lockwasher
7	92914-000	4	3/8-16 Hex Nut	21	476-000	4	1/4-20 x 5/8 Hex Head Bolt
8	91658-001	12	3/8-16 x 1 Hex Hd Bolt	22	479-000	4	1/4 Split Lockwasher
9	526-000	4	3/8 Flat Washer	23	638-000	4	1/4-20 Hex Nut
10	1116-000	6	5/16-18 x 1 Hex Hd Bolt	24	64673-xxx	Ref	AC Power Leads
11	480-000	6	5/16 Split Lockwasher	NI	63666-003	1	Base Rail, Left
12	458-000	6	5/16-18 Hex Nut	NI	63666-004	1	Base Rail Right
13	526-000	10	3/8 Flat Washer	NI	63665-001	2	Base Cross Members
14	91658-002	1	3/8-16 x 1-1/4 Hex Head				



## RADIATOR & BAFFLE ASSEMBLY

REF	PART NBR	QTY	DESCRIPTION	REF	PART NBR	QTY	DESCRIPTION
1	61550-001	1	Radiator Support Bkt	17	Ford Part	2	5/16-18 Hex Nut
2	61551-001	1	Radiator Support Baffle	18	Ford Part	2	7/16 Carriage Bolt
3	476-000	10	1/4-20 X 5/8 Hex Hd Bolt	19	Ford Part	2	7/17-16 Hex Nut
4	479-000	10	1/4 Split Lockwasher	20	Ford Part	1	Radiator Pad
5	638-000	10	1/4-20 Hex Nut	21	526-000	2	3/8 Flat Washer
6	Ford Part	1	Radiator	22	Ford Part	2	Aluminum Spacer
7	Ford Part	1	Clamp	23	64606-001	1	Coolant Pipe
8	63823-000	1	Lower Radiator Hose	24	63822-000	1	Coolant Hose
9	81018-004	5	Hose Clamp	25	Ford Part	1	Upper Radiator Hose
10	64646-401	1	Acoustical Foam	26	512-000	1	1/4 Flat Washer
11	64646-402	1	Acoustical Foam	27	64646-404	1	Acoustical Foam
12	64646-403	1	Acoustical Foam	28	64646-405	1	Acoustical Foam
13	92421-000	52"	Acoustical Foam	29	64646-406	1	Acoustical Foam
14	92421-000	21"	Acoustical Foam	30	64646-407	1	Acoustical Foam
15	Ford Part	2	5/16 Carriage Bolt	31	64646-408	1	Acoustical Foam
16	Ford Part	2	5/16 Lockwasher	32	Ford Part	1	Petcock
				33	97391-008	1	Cushioned Hose Clamp

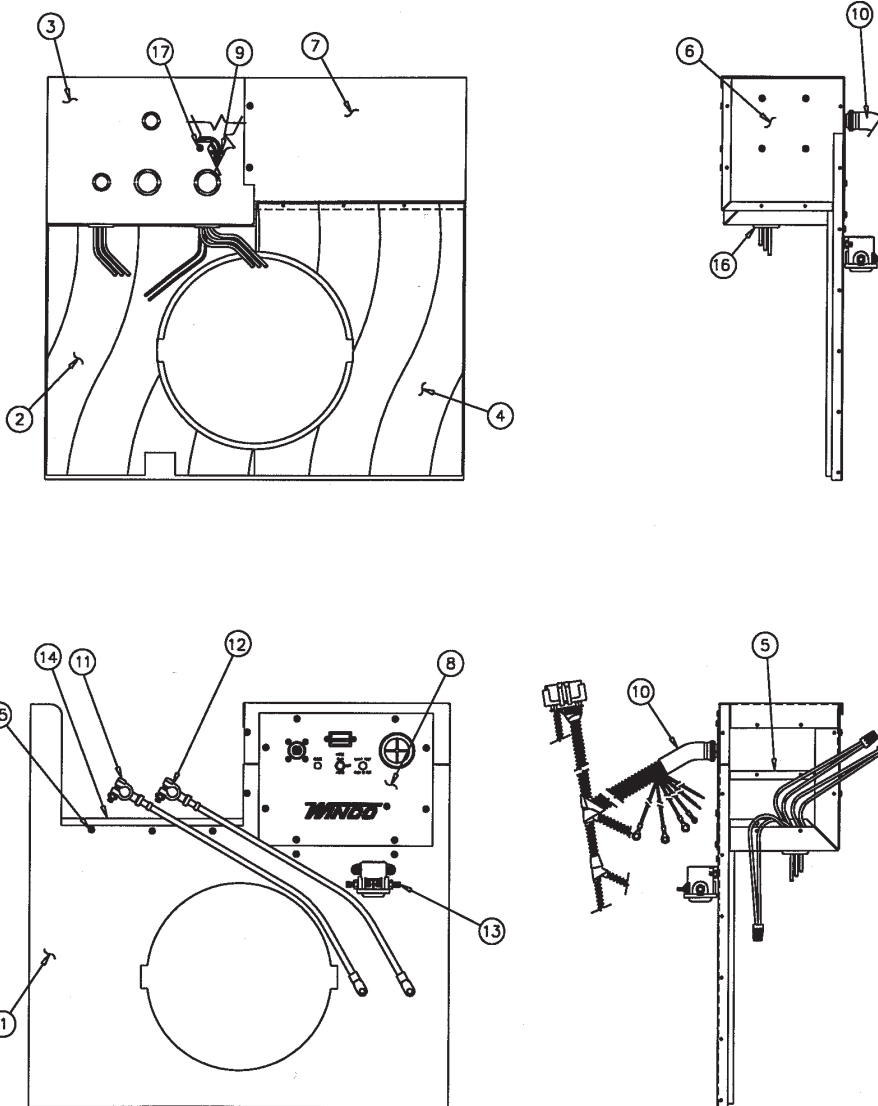


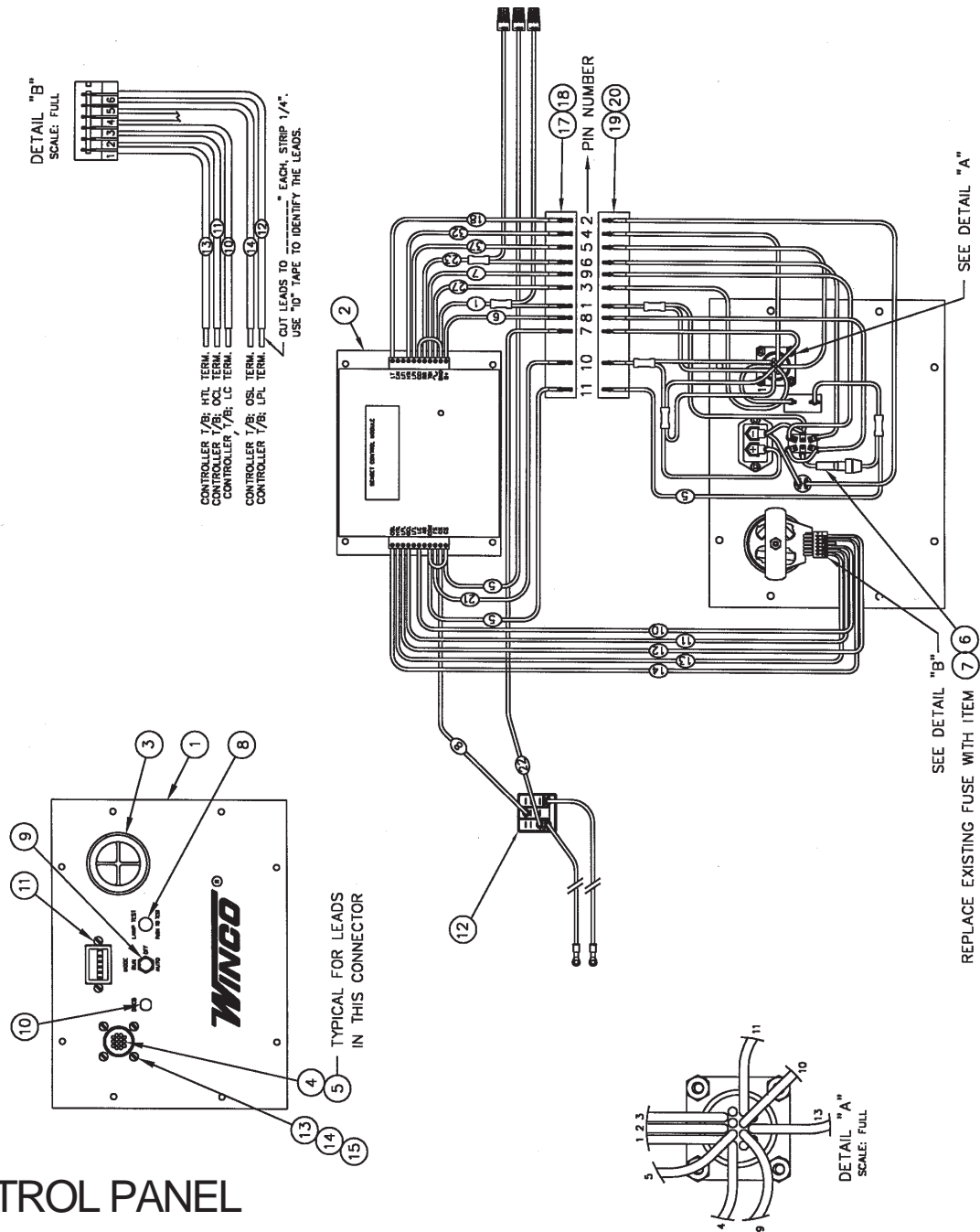
## MUFFLER INSTALLATION

REF	PART NBR	QTY	DESCRIPTION	REF	PART NBR	QTY	DESCRIPTION
1	61620-001	1	Muffler	11	64650-000	7	Exhaust Bracket Bushing
2	63825-004	1	Engine Header Exhaust Pipe	12	93489-003	4	2" Exhaust Clamp
3	63825-003	1	Intermediate Exhaust Elbow	13	96003-030	2	M10 x 1.50 x 30MM Bolt
4	63825-002	1	Muffler Inlet Exhaust Elbow	14	467-000	4	5/16-18 x .75 Hex HD Bolt
5	64501-001	1	Radiator Air Deflector	15	91546-005	7	5/16-18 x 1.75 Hex HD Bolt
6	64649-000	1	Engine Exhaust Gasket	16	47136-000	11	5/16-18 Self Locking Nut
7	63834-004	4	Exhaust Hanger Straps	17	526-000	2	5/16 Flat Washer
8	63834-003	1	Muffler Hanger Bracket	18	476-000	9	1/4-20 x .625 Hex HD Bolt
9	63834-002	1	Muffler Support Channel	19	479-000	9	1/4 Split Lockwasher
10	63834-001	1	Exhaust Pipe Support Brkt	20	638-000	9	1/4-20 Hex Nut
				21	55440-000	3	1/4-20 x 1/2 SelfTapping Screw

# CONTROL BOX ASSEMBLY

REF	PART NBR	QTY	DESCRIPTION
1	64545-002	1	Closure Panel
2	64666-403	1	Acoustical Foam
3	61294-002	1	Control Box
4	64666-404	1	Acoustical Foam
5	63742-001	1	Control Box Divider
6	61615-002	1	Battery Box End Panel
7	61615-001	1	Battery Box
8	63782-003	Ref	Control Panel Wiring
9	40730-000	1	Grommet
10	64613-002	Ref	Engine Wiring Harness
11	22097-001	1	Battery Cable
12	22097-006	1	Battery Cable
13	80890-000	1	Start Solenoid
14	58684-000	12"	Edge Trim
15	21698-001	9	#10 Black Sheet Metal Screws
16	23917-000	1	Grommet
17	21698-002	20	#10 Silver Sheet Metal Screws



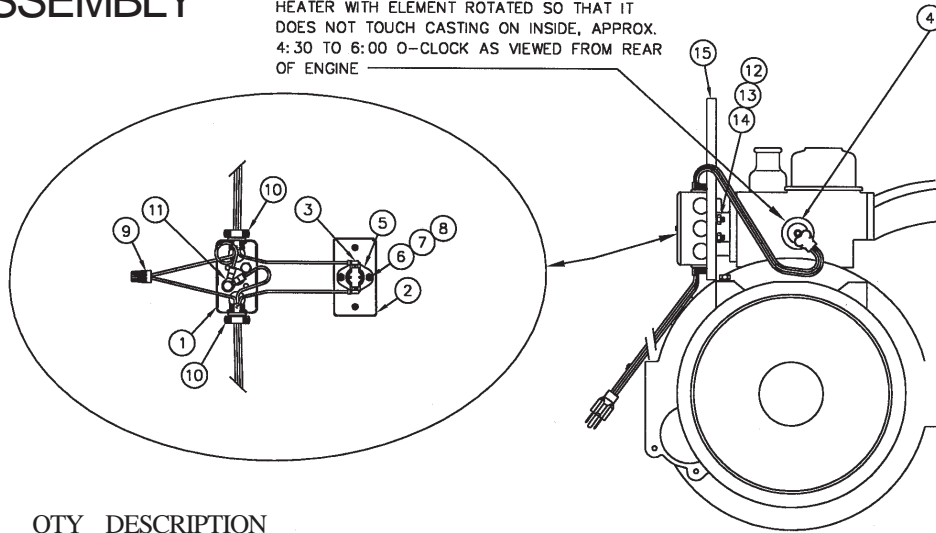


## CONTROL PANEL ASSEMBLY

REF	PART NBR	QTY	DESCRIPTION	REF	PART NBR	QTY	DESCRIPTION
1	63740-002	1	Control Panel	11	58166-006	1	Running Time Meter
2	72190-414	1	Engine Control	12	59944-001	1	SPDT 120 Volt Relay
3	98946-001	1	Light Cluster	13	6917-000	4	#6-32 X 3/8 Round HD Screw
4	96925-005	1	Connector Recpt	14	394-000	4	#6-32 Hex Nut
5	96923-001	1	Connector Pins	15	22989-000	4	#6 Lockwasher
6	95063-000	1	Fuse Holder	17	61640-002	1	Connector Receptacle
7	95064-002	1	3/4-Amp Fuse	18	61642-000	11	Female Connector Pin
8	71444-001	1	Push Button Switch	19	61641-002	1	Connector Plug
9	71216-001	1	DPDT Toggle Switch	20	61643-000	11	Male Connector Pin
10	91286-000	1	15-Amp Circuit Breaker				

# ENGINE BLOCK HEATER ASSEMBLY

REMOVE FREEZE PLUG AND INSTALL ENGINE HEATER WITH ELEMENT ROTATED SO THAT IT DOES NOT TOUCH CASTING ON INSIDE, APPROX. 4:30 TO 6:00 O-CLOCK AS VIEWED FROM REAR OF ENGINE



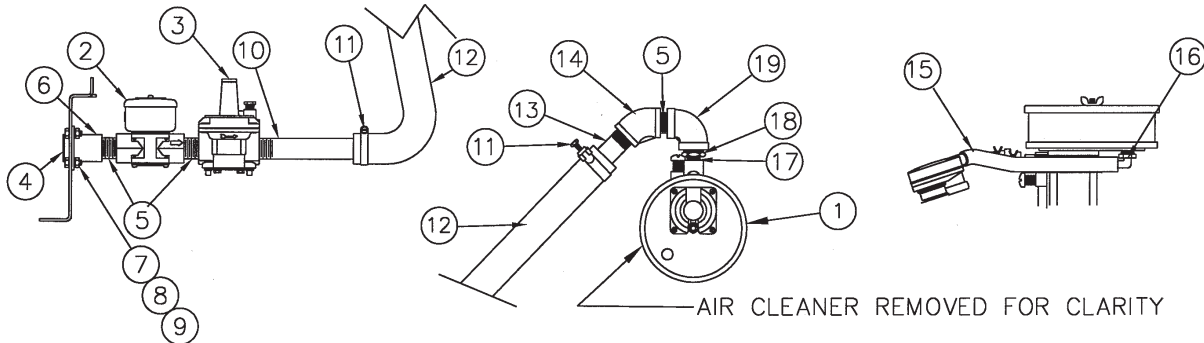
REF	PART NBR	QTY	DESCRIPTION
-----	----------	-----	-------------

1	92789-000	1	Conduit Box
2	15812-000	1	Box Cover
3	61898-000	1	Terminal Lug
4	82505-001	1	Engine Heater
5	15816-000	1	Temperature Sensor
6	6174-000	2	#8-32 x 3/8 Rd HD Screw
7	6376-000	2	#8 Split Lockwasher
8	5113-000	2	#8-32 Hex Nut
9	96936-003	1	Wire Connector
10	93073-000	2	Conduit Connector
11	4160-000	2	Terminal Lug
12	463-000	2	1/4-20 X 1/2 Hex HD Screw
13	479-000	2	1/4 Split Lockwasher
14	638-000	2	1/4-20 Hex Nut
15	63764-001	1	Mounting Bracket

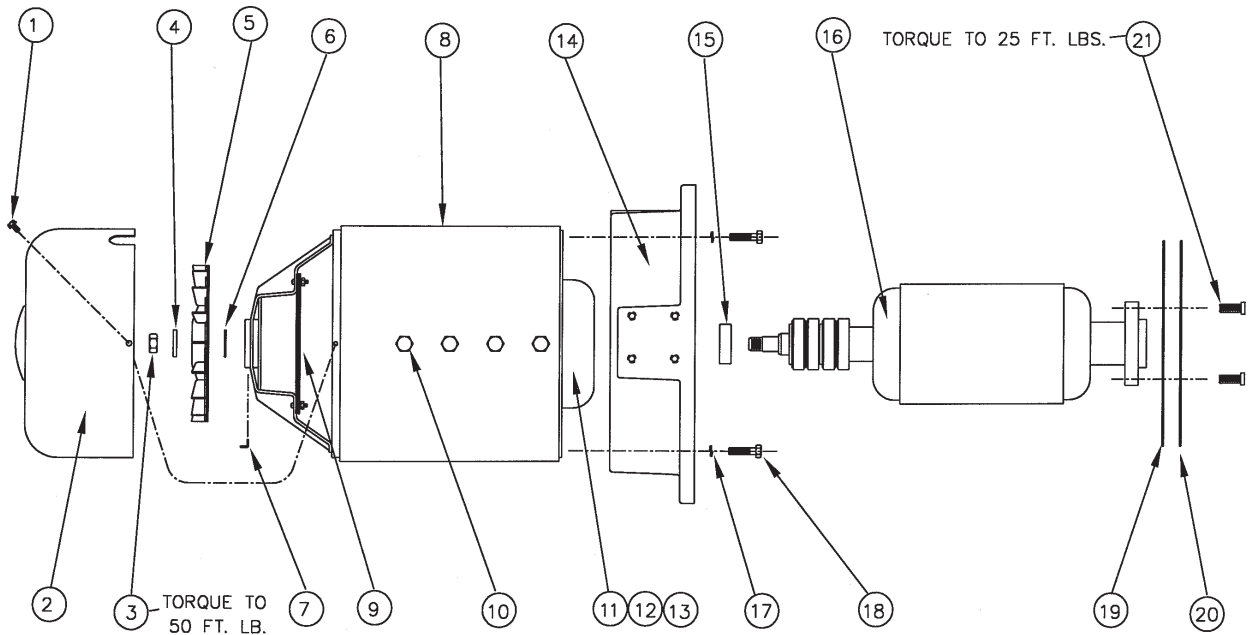
REF	PART NBR	QTY	DESCRIPTION
-----	----------	-----	-------------

1	63771-001	1	Carburetor
2	16134-000	1	Fuel Solenoid
3	50248-000	1	Demand Regulator
4	55365-000	1	Plug
5	22626-000	3	3/4" Pipe Nipple
6	55931-000	1	Bracket Assembly
7	466-000	2	1/4 -20 X 3/4 Hex HD Bolt
8	479-000	2	1/4 Lockwasher
9	639-000	2	1/4-20 Hex Nut
10	63772-000	1	3/4" Pipe Nipple
11	50245-000	2	Hose Clamp
12	49409-000	40"	Hose
13	81084-000	1	Pipe Nipple
14	56896-000	1	3/4" Elbow
15	62286-000	12"	Hose
16	63818-000	1	Nylon Male Elbow
17	53244-001	1	Close Nipple
18	63788-000	1	3/4 to 3/8 Hex Reducer
19	50244-000	1	3/4" Elbow

# LP/NG FUEL SYSTEM

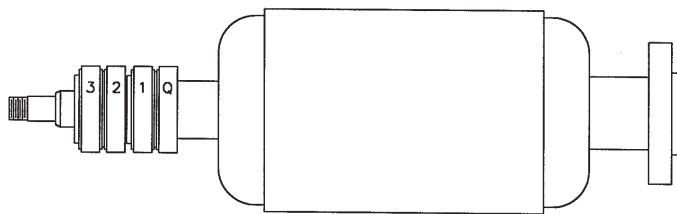
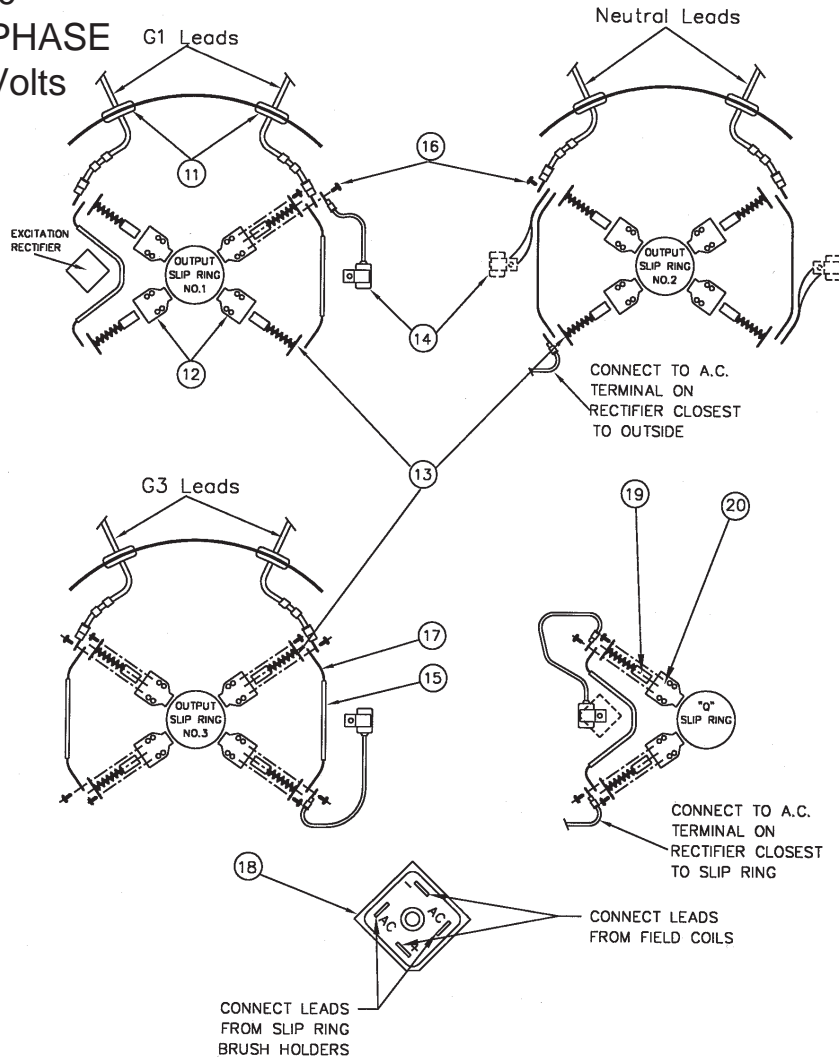


## GENERATOR UNASSEMBLED



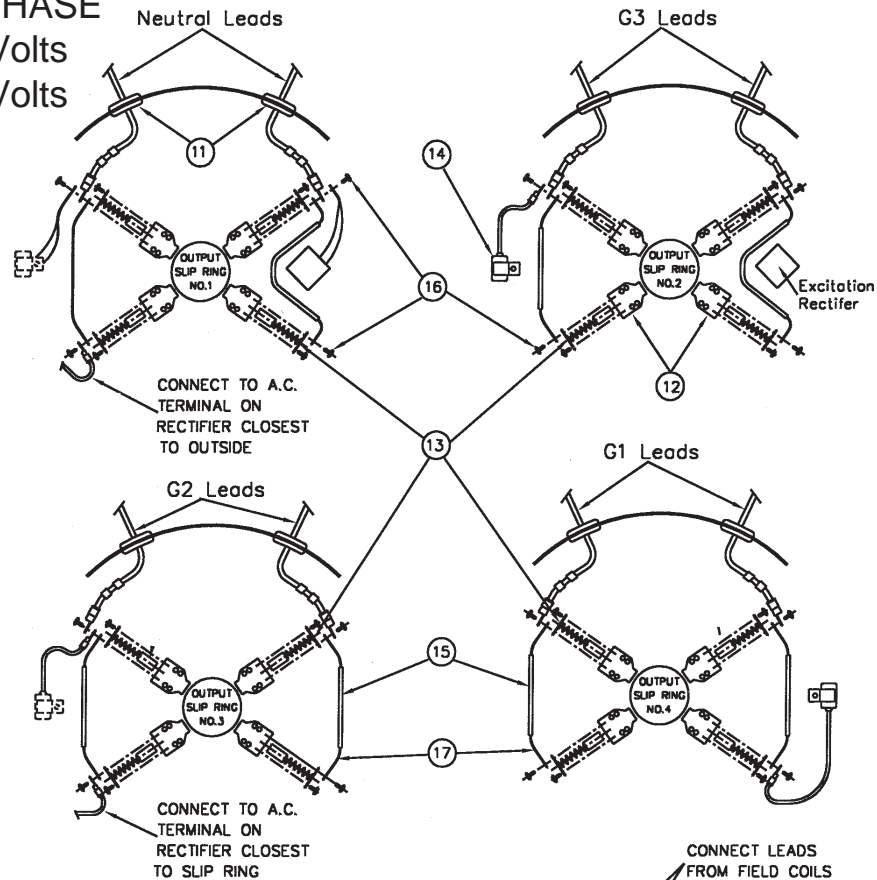
REF	PSS20000/B PART NBR	QTY	DESCRIPTION	PSS20000-4/B PART NBR	PSS20000-17/B PART NBR
1	53644-000	2	#10-24 X 3/8 Self Tapping Screw	53644-000	53644-000
2	55007-000	1	End Cover Assembly	55007-000	55007-000
3	9549-000	1	1/2-20 Hex Nut	9549-000	9549-000
4	97627-000	1	Flat Washer	97627-000	97627-000
5	23404-000	1	Fan Assembly	23404-000	23404-000
6	97627-001	1	Flat Washer	97627-001	97627-001
7	59063-000	1	Bearing Anti-Rotation Pin	59063-000	59063-000
8	97288-000	1	Machined Shell	97288-000	97288-000
9A	54242-000	1	Brushrack Assembly (RH)	63940-000	63940-000
9b	54242-001	1	Brushrack Assembly (LH)	63940-001	63940-001
10	43781-000	8	7/16 - 20 X 1.75 Hex Head Bolt	43781-000	43781-000
11A	52563-000	1	Field Coil (RH) Single Phase	63839-000	63938-000
11B	52563-001	1	Field Coil (LH) Single Phase	63938-001	63938-001
12	43473-000	2	Pole Shoe	43473-000	43473-000
13	63937-000	2	Pole Shoe Retainer	63937-000	63937-000
14	63886-000	1	Flywheel Housing Assembly	63886-000	63866-000
15	59062-000	1	Bearing	59062-000	59062-000
16	63802-001	1	Armature	63850-001	63850-002
17	480-001	4	Lockwasher	480-001	480-001
18	91546-003	4	5/16-18 X1.25 Hex Head Bolt	91546-003	91546-003
19	63861-000	1	Drive Disc	63861-000	63861-000
20	63861-000	1	Drive Disc	63861-000	63861-000
21	64647-001	6	3/8-16 X 1 Low Head Bolt	64647-001	64647-001

PSS20000  
SINGLE PHASE  
120/240 Volts



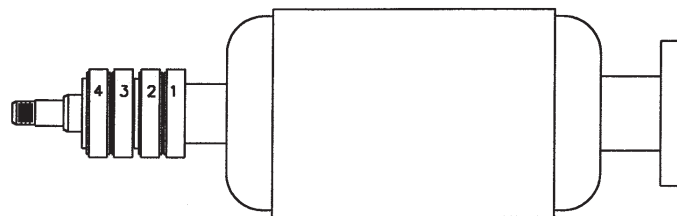
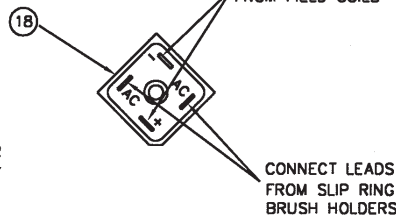
REF	PART NBR	QTY	DESCRIPTION
11	23917-000	2	Grommet
12	23500-002	12	AC Brushholder
13	24981-000	12	AC Brush
14	41221-000	3	Capacitor
15	41387-008	7	Copper Straps
16	40746-000	28	#8-32 X 5/16 Screw
17	46024-003	5	Insulation Tube
18	91452-000	1	Rectifier
19	53949-000	2	"Q" Brush
20	23500-000	2	"Q" Brushholder

PSS20000  
THREE PHASE  
120/240 Volts  
120/208 Volts



NOTES:

- 1 BRUSH HOLDER DETAILS ARE DRAWN LOOKING TOWARD MOUNTING PLATE, IN EACH CASE.
- 2 LEAD WIRES SHOWN EXITING FROM END COVER ARE ACCOUNTED FOR ON ANOTHER ASSEMBLY



REF	PART NBR	QTY	DESCRIPTION
11	23917-000	2	Grommet
12	23500-002	16	AC Brushholder
13	24981-000	16	AC Brush
14	41221-000	3	Capacitor
15	41387-008	8	Copper Straps
16	40746-000	32	#8-32 X 5/16 Screw
17	46024-003	7	Insulation Tube
18	91452-000	1	Rectifier

## ITEMS NOT ILLUSTRATED:

### Governor Assembly

99525-000	1	Electronic Governor
99526-000	1	Governor Actuator
99524-000	1	Mounting Bracket
99527-000	1	Mounting Kit

### Engine Wiring Harness

64613-002	1	Wiring Harness
-----------	---	----------------

### Decals

15209-000	1	Warning Decal Set
15750-001	1	Grounding Decal
53113-001	2	Winco Decal
97813-000	2	Auto Start Warning Decal

### Contactors Coils

Allen Bradley	Size	Part Number
	50 AMP	64586-400
	100 AMP	64585-400
	225 AMP	64585-410
	300 AMP	64585-430
	400 AMP	64585-430

### Telemecanique

60 AMP	80899-101
110 AMP	80899-101
150 AMP	80899-102
230 AMP	80899-102
300 AMP	80899-105
400 AMP	80899-105

## Generator Specifications

	PSS20000-3	PSS20000-4	PSS20000-17
Armature			
G1 to N	0.025 - 0.0275 OHMS	0.023 - 0.026 OHMS	0.076 - 0.084 OHMS
G2 to N	N/A	0.023 - 0.026 OHMS	0.076 - 0.084 OHMS
G3 to N	0.025 - 0.075 OHMS	0.023 - 0.026 OHMS	0.065 - 0.071 OHMS
Q to N	0.100 - 0.110 OHMS	N/A	N/A
Field Coils	20.2 - 22.4 OHMS	25.0 - 27.9 OHMS	25.0 - 27.9 OHMS
AC Residual Voltage	7 VAC	7 VAC	7 VAC
Winding Spec.	SS1510	SS1511	SS1512
AC Connection	AC383	AC133	AC362

**WINCO INC**<sup>®</sup>

A Division of **DTE** Dyna Technology Inc

225 South Cordova Ave

Le Center MN 56057

507-357-6831