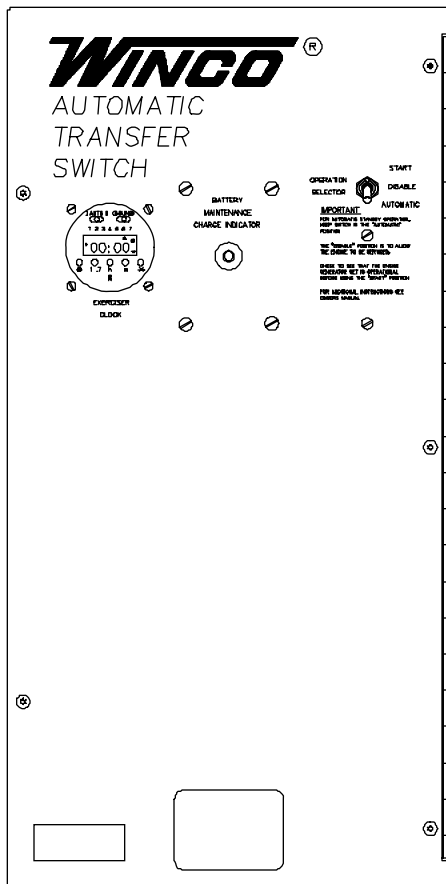
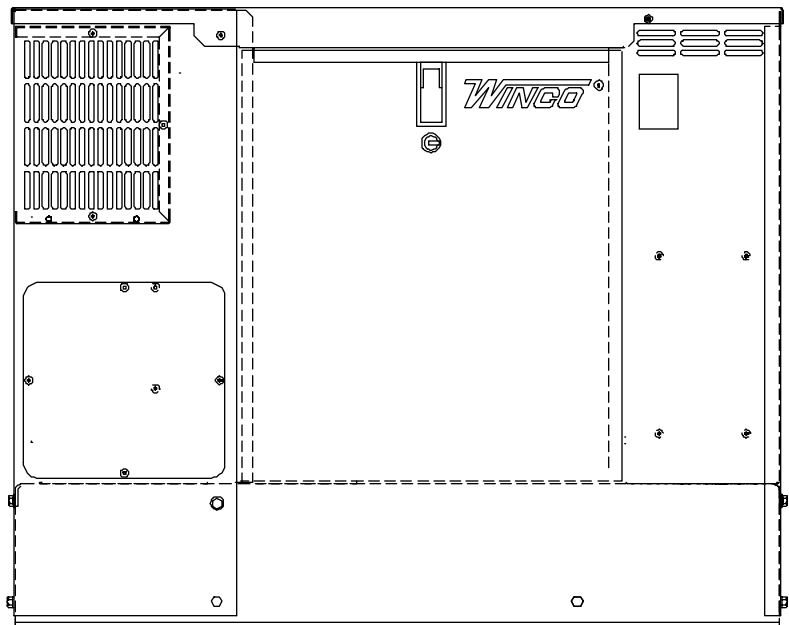


## PSS8000B/N



100/50 Amp Automatic  
Transfer Switch



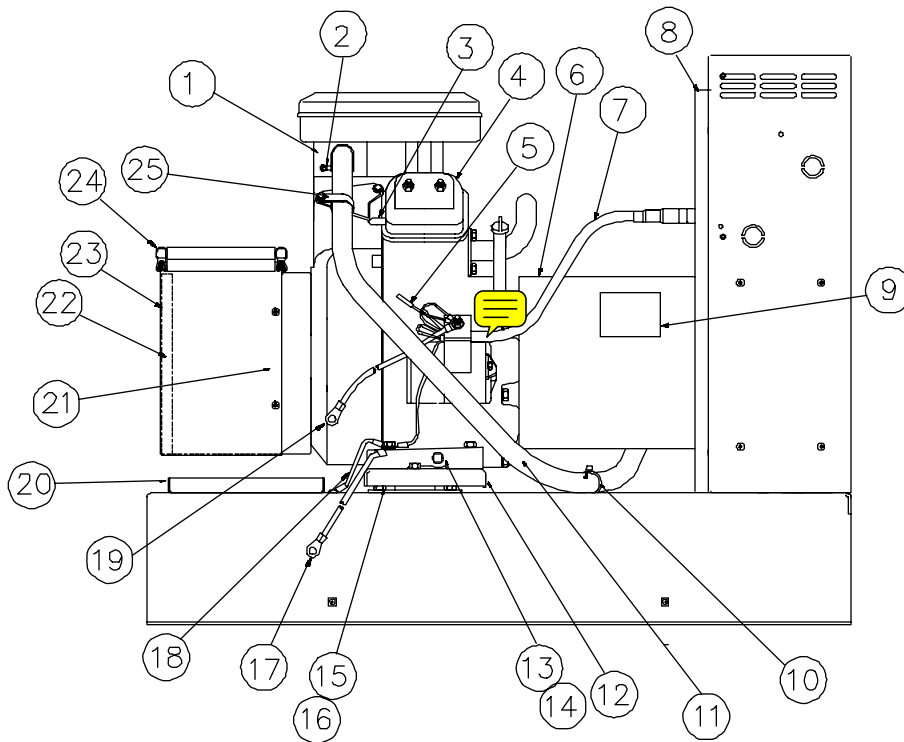
Engine Generator Set

Parts Lists, Wiring Diagrams  
and Schematic

**WINGCO INC**  
A Division of **DTE** Dyna Technology Inc

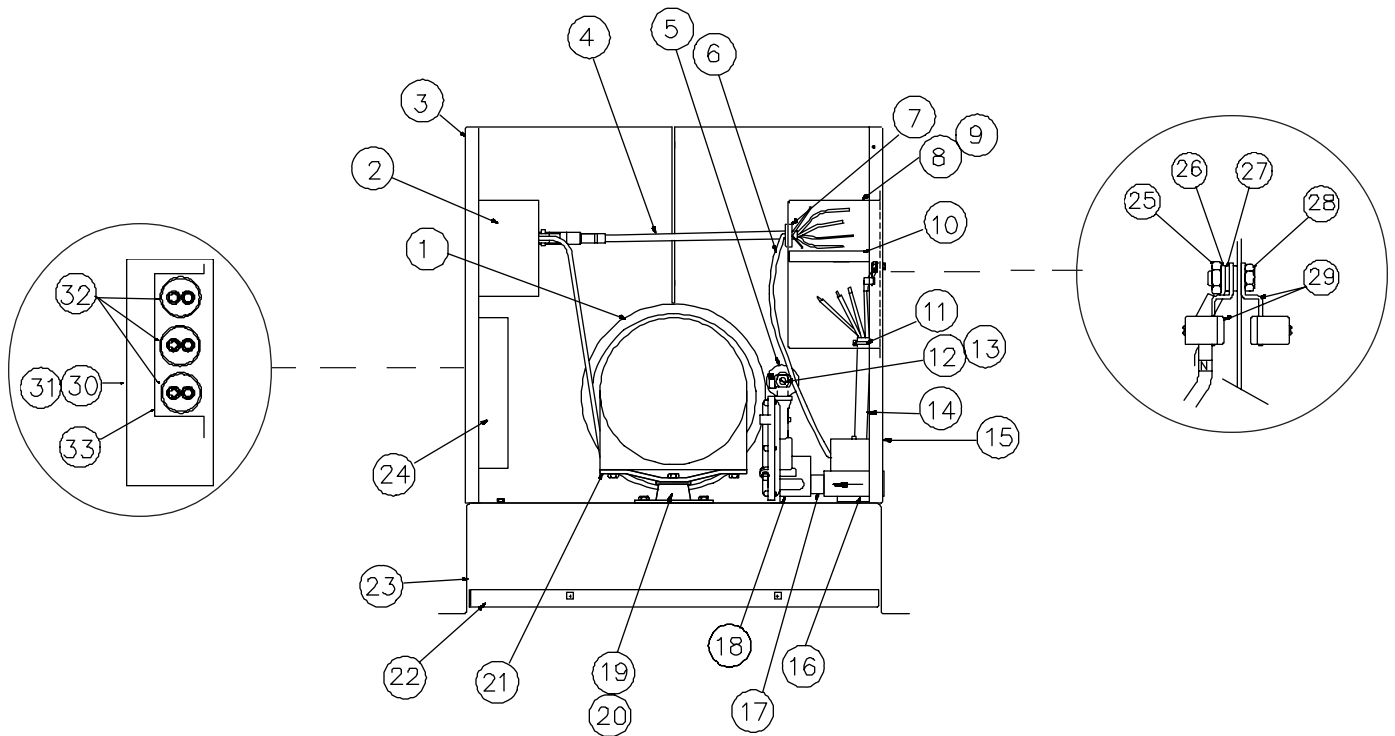
225 South Cordova Ave  
Le Center MN 56057  
507-357-6831

# Engine Generator Assembly



REF	PART #	QTY	DESCRIPTION
01	15758-000	1	Carburetor Modification
02	81018-005	1	Clamp
03	15765-000	1	Cap, Vacuum
04	16034-000	1	Engine (B&S 303447-1194-E1)
05	52134-019	1	Lead Wire (to ALT. VR)
06	15041-020	REF	Generator Assembly (ref only)
07	15757-000	1	Wire Harness Kit
08	15681-000	2	Door Stop
09	63996-000	2	Nameplate
10	49975-001	4	Cable Tie
11	23048-000	4.2'	Fuel Hose
12	15636-000	1	Engine Support Bracket
13	53244-009	1	3/8" x 5" Pipe Nipple
14	21857-000	1	3/8" Pipe Coupling
15	98807-000	2	Shock Mount
16	98806-000	2	Flat Washer
17	15767-002	1	Battery Cable (-)
18	9769-145	1	Ground Wire
19	15767-002	1	Battery Cable (+)
20	15676-000	1	Battery Tray
21	15658-000	1	Engine Air Duct
22	15763-001	1	Foam, Air Inlet
23	15659-000	1	Air Duct Cover
24	15287-000	30"	Air Seal
25	97391-004	1	Clamp

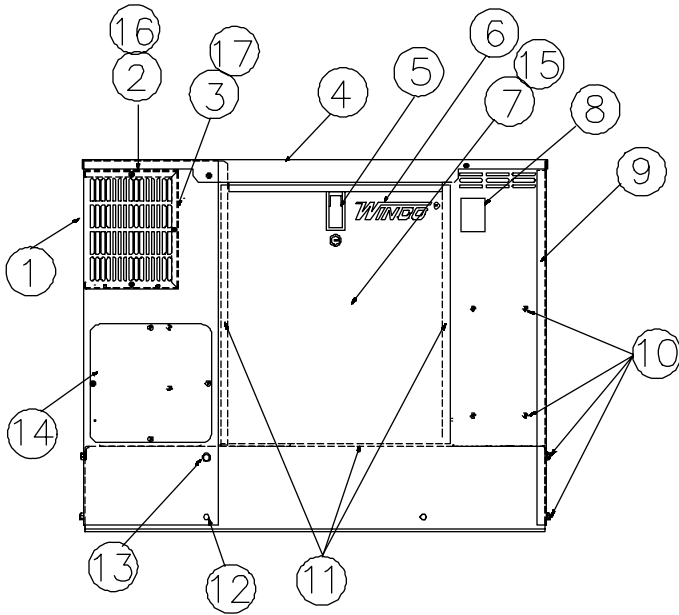
# Generator Control Cabinet



REF	PART #	QTY	DESCRIPTION	REF	PART #	QTY	DESCRIPTION
01	15287-000	32"	Air Seal	18	55559-000	1	Gas Regulator
02	15764-400	1	Engine Control Assembly	19	98807-000	1	Shockmount
03	15664-000	1	Air Baffle (left)	20	98806-000	2	Washer
04	15757-000	1	Wire Harness Kit	21	15039-001	1	Generator Support Brkt
05	62486-000	1	Grommet	22	15637-000	1	Base Channel
06	45956-000	15"	Sleeving	23	15634-000	1	Base
07	23917-000	1	Grommet	24	15759-000	1	Capacitor Box Assembly
08	15709-000	1	Terminal Box	25	638-000	1	1/4-20 Hex Nut
09	15711-000	1	Terminal Box Cover	26	479-000	1	1/4 Lockwasher
10	15710-000	1	Terminal Box Divider	27	4516-000	2	Ext. Tooth Lockwasher
11	49975-011	2	Cable Tie	28	476-000	1	1/4-20 x 5/8 Cap Screw
12	55560-000	1	Load Block	29	48042-000	2	Ground Lug
13	81018-005	1	Clamp	30	15224-000	1	Capacitor Box
14	15757-000	1	Wire Harness Kit	31	15167-000	8"	Foam
15	15665-000	1	Air Baffle (right)	32	15051-000	3	Capacitor
16	42942-000	1	Fuel Solenoid	33	15226-000	1	Capacitor Clamp
17	22626-000	1	3/4" Close Nipple				



# HOUSING ASSEMBLY

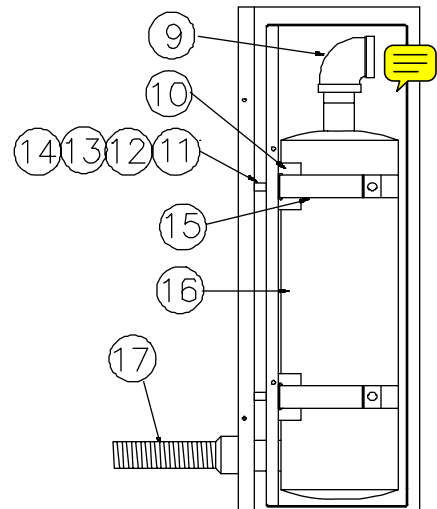
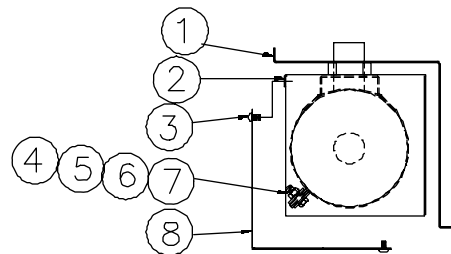


REF	PART #	QTY	DESCRIPTION
01	15670-000	1	Housing, Front
02	15752-000	1	Air Duct End Plate
03	15703-000	1	Engine Air Duct
04	15677-000	1	Roof
05	95229-004	2	Door Latch
06	53113-000	2	Decal
07	15680-007	2	Door
08	97813-000	2	Warning Decal
09	15671-000	1	Housing, Rear
10	21698-001	25	#10 x 3/8 Machine Screw
11	62912-000	12.3'	Door Gasket
12	463-000	4	1/4-20 x 1/2 Cap Screw
13	55440-000	6	1/4-20 x 1/2 Self Tapping
14	15746-000	1	Battery Access Door
15	15762-000	2	Foam, Door
16	15763-003	1	Foam, Air Duct End Plate
17	15763-002	1	Foam, Engine Air Duct

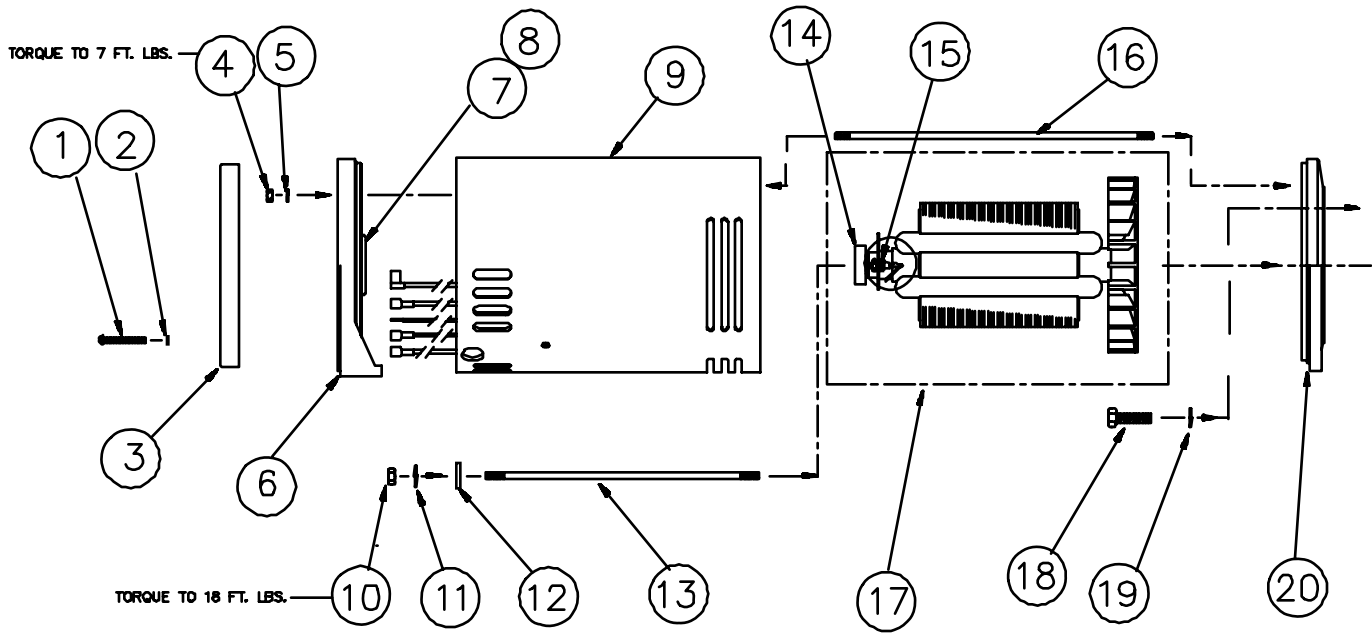
# MUFFLER ASSEMBLY

## REF PART # QTY DESCRIPTION

01	15705-000	1	Muffler Support
02	15687-000	1	Heat Shield
03	21698-001	6	#10 Self Tapping Screw
04	1116-000	2	5/16-18 x 1 Cap Screw
05	458-000	2	5/16-18 Hex Nut
06	480-000	2	5/16 Lockwasher
07	526-000	2	5/16 Flat Washer
08	15749-000	1	Heat Shield Cover
09	24363-000	1	Elbow
10	99015-000	2	Muffler Mounting Bracket
11	62825-006	4	1/4 x 1/2 Spacer
12	439-000	4	1/4-20 x 1 Cap Screw
13	638-000	4	1/4-20 Hex Nut
14	479-000	4	1/4 Lockwasher
15	99014-000	2	Muffler Mounting Strap
16	97408-704	1	Muffler, Critical
17	15755-000	1	Flex Exhaust Weldment

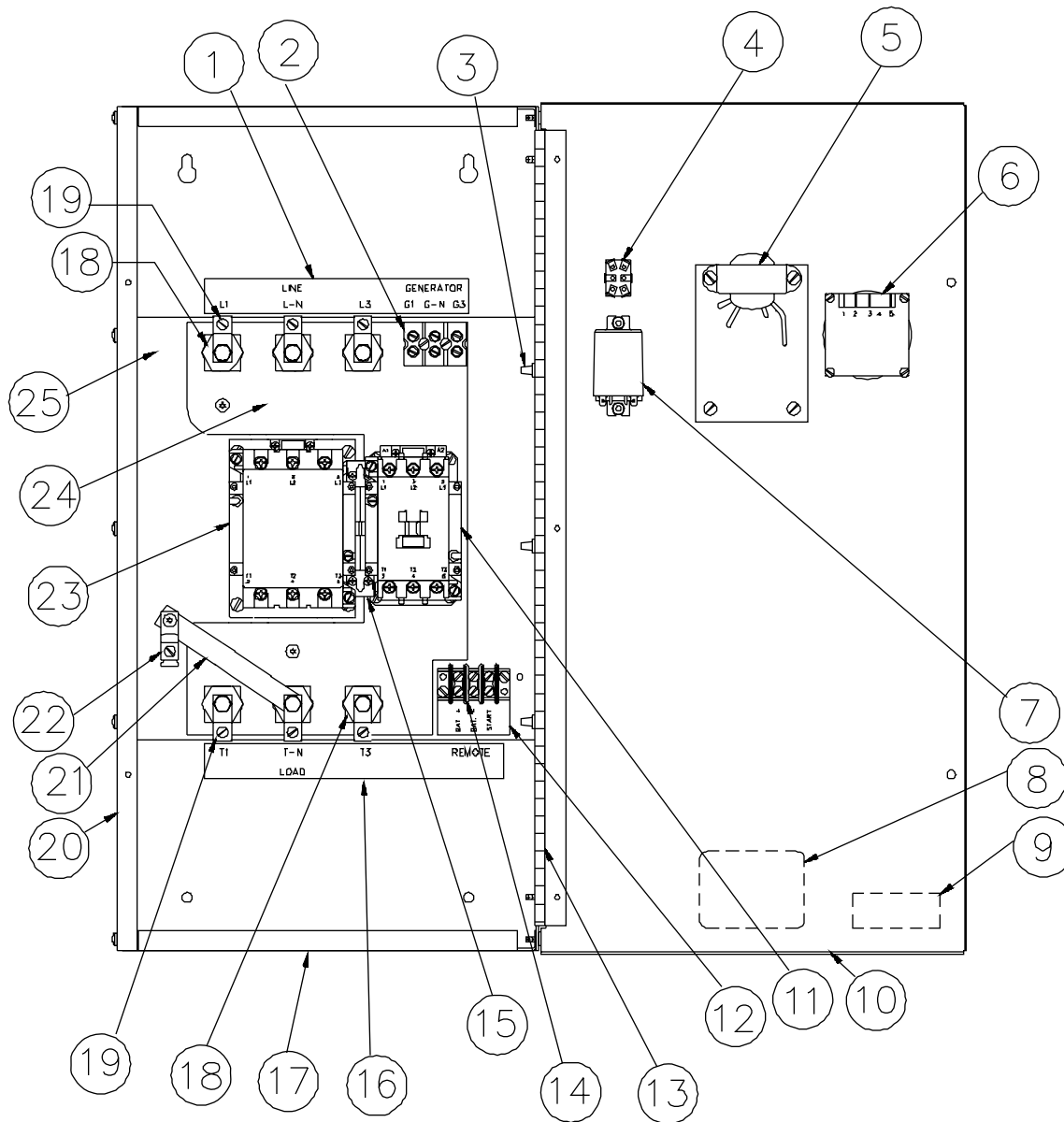


# Generator Assembly



REF	PART #	QTY	DESCRIPTION
01	15013-001	4	#10-32 x 1.75 Cap Screw
02	21975-000	4	#10 Lockwasher
03	15085-000	1	End Cover
04	15192-000	4	1/4-20 Hex Nut
05	479-000	4	1/4 Lockwasher
06	15156-003	1	Machined End Brkt
07	15122-003	1	Tolerance Ring
08	15688-000	1	Shim
09	15857-001	1	Stator Assembly
10	15193-000	1	5/16-24 Hex Nut
11	480-001	1	5/16 Lockwasher
12	23558-000	1	Flat Washer
13	23197-028	1	Special Stud
14	50215-000	1	Bearing
15	15255-001	1	Diode (STD)
	15255-002	1	Diode (REV)
16	15068-010	4	Stud
17	15045-009	1	Rotor Assembly
18	91658-003	4	3/8-16 x 1.5 Cap Screw
19	481-000	4	3/8 Lockwasher
20	15008-000	4	Engine Mounting Brkt

# Automatic Transfer Switch



REF	PART #	QTY	DESCRIPTION	REF	PART #	QTY	DESCRIPTION
01	64601-000	1	Line Terminal Decal	14	64598-000	1	Terminal Block
02	51795-000	1	Terminal Block	15	64587-000	1	Mech. & Electrical Interlock
03	92267-001	6	Cap Plug	16	64602-000	1	Load Terminal Decal
04	71216-001	1	DPDT Toggle Switch	17	64589-000	2	Cabinet Top & Bottom Panels
05	61222-000	1	Tickle Charger	18	94378-000	6	Insulated Standoff
06	64600-000	1	Exerciser Clock	19	63708-000	6	Terminal Lug
07	59944-014	1	3PDT Relay	20	64588-000	1	Cabinet Rear & Side Panel
08	63966-000	2	Nameplate	21	52789-006	1	Copper Strap
09	64604-000	1	Warning Decal	22	48042-000	1	Ground Lug
10	64591-000	1	Cabinet Door	23	64585-000	1	Line Side Contactor
11	64586-000	1	Generator Side Contactor	24	64596-000	1	Contactor Space
12	64599-000	1	Terminal Block Decal	25	64592-000	1	Contactor Mounting Bracket
13	64597-000	1	Hinge				



# Automatic Transfer Switch Wiring Diagram

