

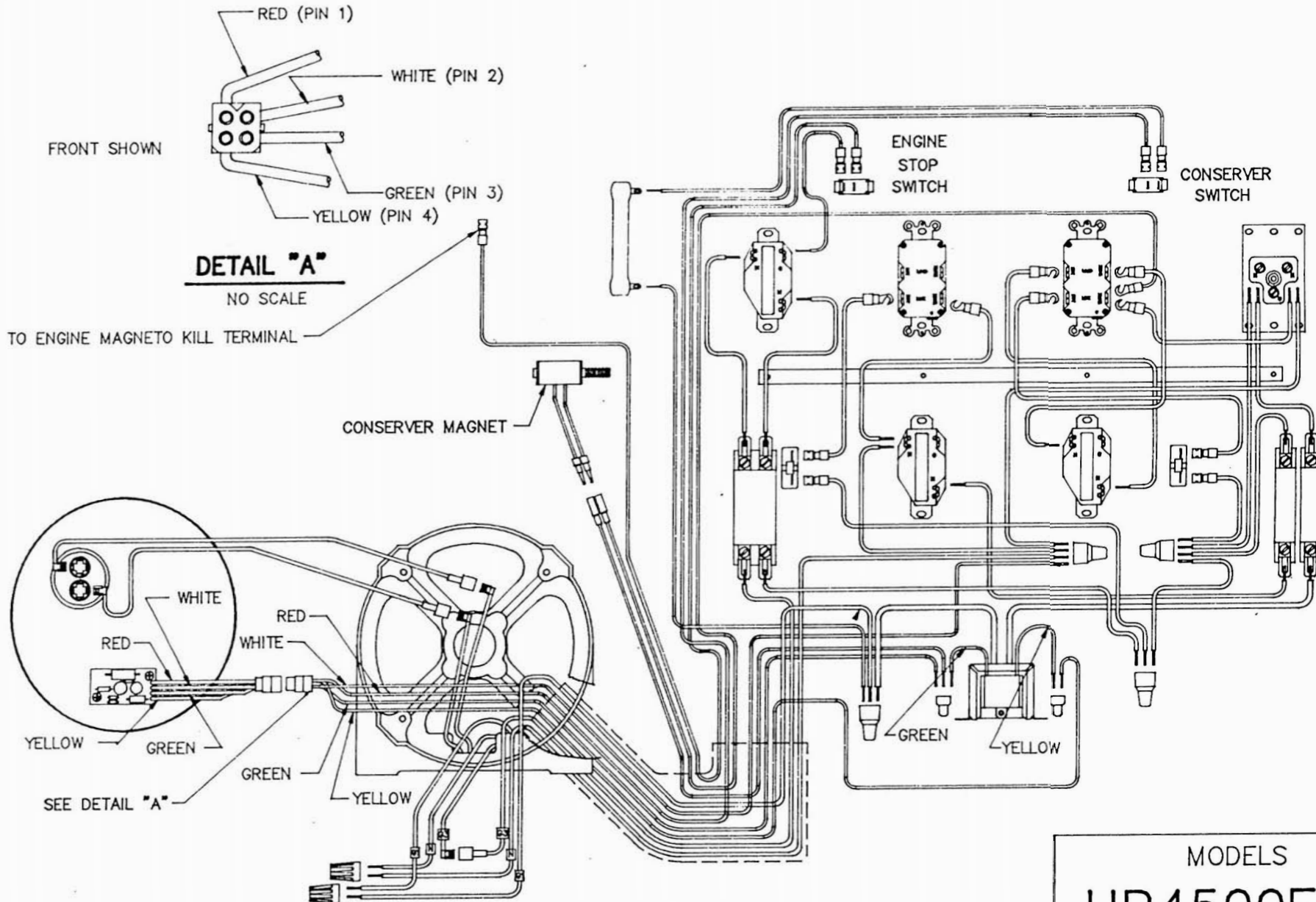
REF #	DESCRIPTION	PART #	4500/L /M		4500E 6000E	
			QTY	QTY	QTY	QTY
100	ENGINE - B&S 195432-0840	64090-000	1	1	--	--
	ENGINE - B&S 195432-0841	64092-000	--	--	1	--
	ENGINE - B&S 254427-0520	64128-000	--	--	--	1
105	AIR-CLEANER BRACE	15058-000	1	1	1	--
112	BRACKET, CONSERVER	44927-000	1	1	1	--
	BRACKET, CONSERVER	61096-000	--	--	--	1
114	LEVER, CONSERVER	44892-000--	1	1	1	--
223	START SWITCH	2210-000	--	--	1	1
294	SWITCH, STOP/CONSRV-SPST	64089-000	2	2	2	2
240	AC PANEL ASSY-HP4500/L	15101-000	1	--	--	--
	AC PANEL ASSY-HP4500/M	15159-002	--	1	1	--
	AC PANEL ASSY-HP6000E/L	15159-001	--	--	--	1
241	ELECTRO-MAGNET, CONSERVER	<sup>15182-000</sup> <del>58683-000</del>	1	1	1	1
243	RESISTOR, CONS. 150/50W	48583-000	1	1	1	1
244	TRANSFORMER, CONSERVER	54196-000	1	1	1	1
245	RECEPT. - 240V L6-20R	56281-000	1	1	1	1
246	RECEPT. - 120V 5-50R	54545-000	1	1	1	1
247	RECEPT. - 120V L5-30R	56359-000	1	1	1	1
248	RECEPT. - 240V 6-20R	56279-000	1	1	1	1
249	GFCI RECEPT.- 120V 5-15R	15147-000 <sup>Q</sup>	2	2	2	2
250	FRONT PANEL ONLY	15115-000	1	--	--	--
	FRONT PANEL ONLY	64464-000	--	1	1	1
251	CONSERVER MODULE	15110-000	1	1	1	1
258	CIRCUIT BREAKER - 15A 1P	64230-000	2	2	2	2
259	CIRCUIT BREAKER - 20A 2P	57030-001	1	1	1	1
260	CIRCUIT BREAKER - 30A 1P	91977-005	1	1	1	1
261	CIRCUIT BREAKER - 35A 1P	91977-008	1	1	1	--
262	CIRCUIT BREAKER - 45A 1P	91977-006	--	--	--	1
280	CAPACITOR (40mfd/370V)	15051-000	2	2	2	3
290	END COVER ASSY	15114-000	1	1	1	--
	END COVER ASSY	15089-000	--	--	--	1
291	END COVER (BARE)	15106-000	1	1	1	--
	END COVER (BARE)	15085-000	--	--	--	1
502	THRU-BOLT	23197-009	1	1	1	--
	THRU-BOLT	23197-026	--	--	--	1
511	END BRACKET - ENG END	15008-001	1	1	1	1
512	END BRACKET - BRG END	15015-001	1	1	1	1

*Bearing Bracket 15156-001  
Tolerance Ring 15122-0*

REF #	HP4500/L, /M, HP4500E/L, HP6000E/L DESCRIPTION	PART #	4500/L QTY	/M QTY	4500E QTY	6000E QTY
514	STATOR ASSEMBLY- 4500/L,M	15091-005	1	1	1	--
	STATOR ASSEMBLY- 6000E/L	15091-007	--	--	--	1
530	ROTOR ASSY W/BRG & FAN	15045-005	1	1	1	--
	ROTOR ASSY W/BRG & FAN	15045-006	--	--	--	1
532	BEARING	55223-000	1	1	1	1
601	CRADLE	15074-000	1	--	--	--
	CRADLE	15178-000	--	1	1	1
602	GENERATOR SUPPORT BKT.	15039-000	1	1	1	--
	GENERATOR SUPPORT BKT.	15084-000	--	--	--	1
603	SHOCK MOUNT	64062-000	3	3	3	3
610	UNIT TOP COVER, FORMED	64039-000	1	--	--	--
	UNIT TOP COVER, FORMED	15177-001	--	1	1	1
811	FUEL VALVE PANEL	15132-000	1	1	1	1
815	FUEL VALVE	64091-000	1	1	1	1
817	FUEL TANK- 4.5 GALLON	64024-000	1	1	1	1
820	FUEL CAP/GAUGE	62396-003	1	1	1	1
821	BATTERY RACK KIT	15063-004	--	--	1	1
825	BAFFLE	15095-000	1	1	1	1
831	FOAM STRIP- 0.8" X 3ft	64101-000	1	1	1	1
901	DECAL - WARNING	63888-000	1	1	1	1
902	DECAL - HP4500	64214-009	1	1	--	--
902	DECAL - HP4500E	64214-022	--	--	1	--
902	DECAL - HP6000E	64214-010	--	--	--	1
906	NAMEPLATE	63966-000	1	1	1	1
910	PACK GROUP	64206-013	1	1	1	--
998	OPERATORS MANUAL	60706-065	1	1	1	1
	REPAIR PARTS LIST	60701-065	1	1	1	1
999	SCHEMATIC DIAGRAM	XXXXX-000	1	1	1	1

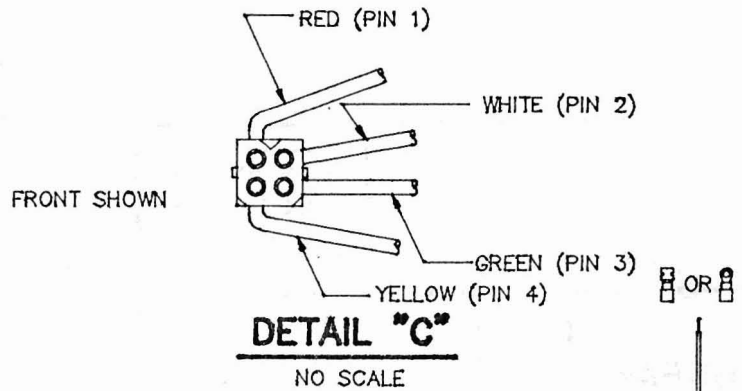
## FOLLOWING INFORMATION IS FOR REFERENCE ONLY

000	COMPLETE UNIT ASSEMBLY	15097-004	#	--	--	--
	COMPLETE UNIT ASSEMBLY	15097-007	--	#	--	--
	COMPLETE UNIT ASSEMBLY	15097-008	--	--	#	--
	COMPLETE UNIT ASSEMBLY	15098-003	--	--	--	#



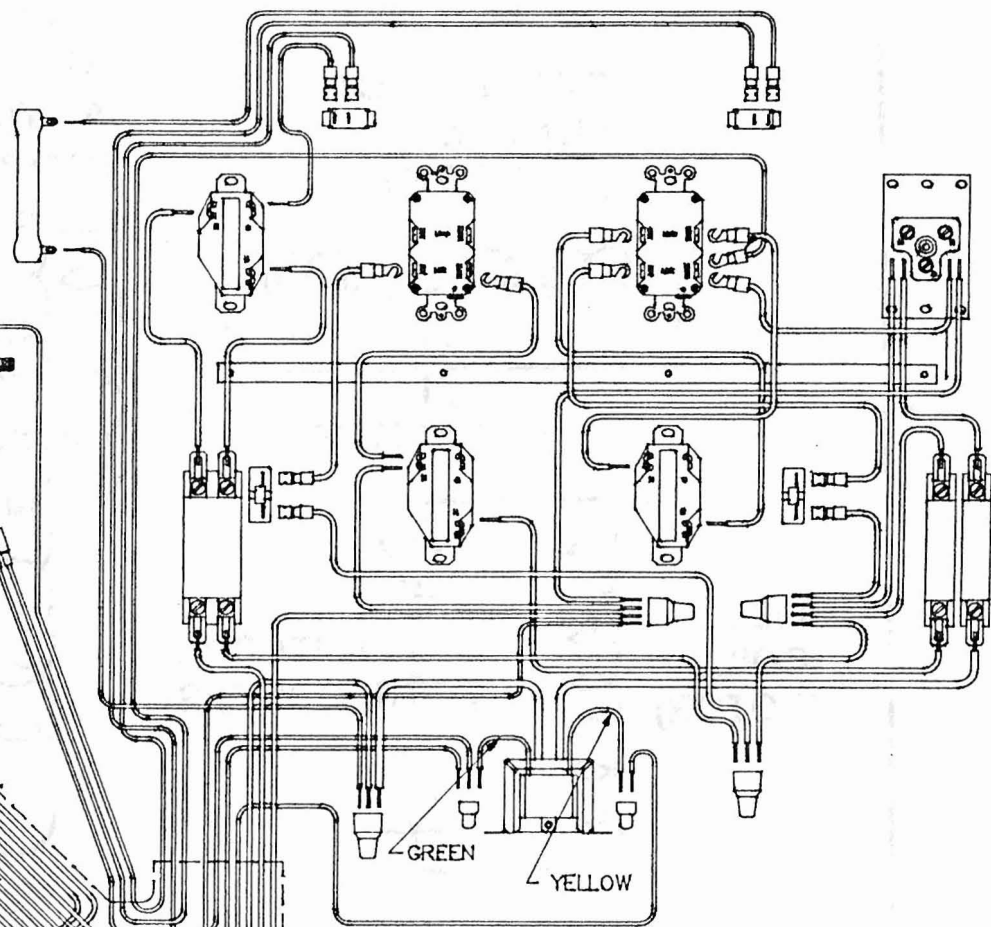
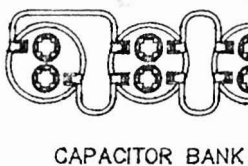
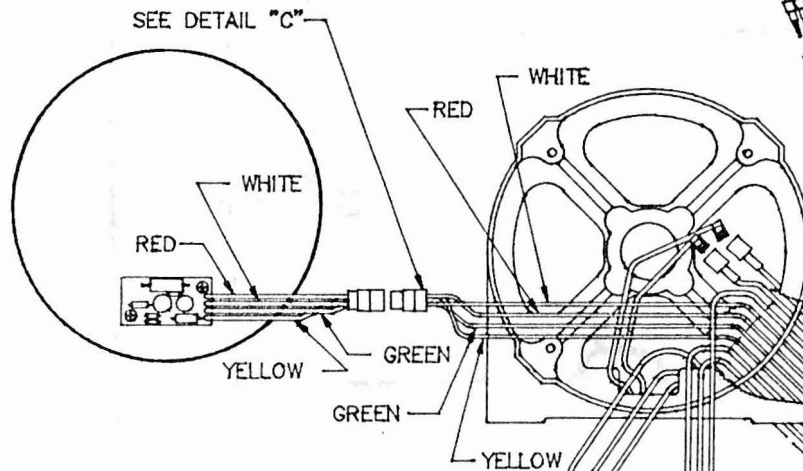
WIRING DIAGRAM

MODELS  
 HP4500E/L  
 HP4500/M  
 SD-15159-002



TO ENGINE MAGNETO KILL TERMINAL

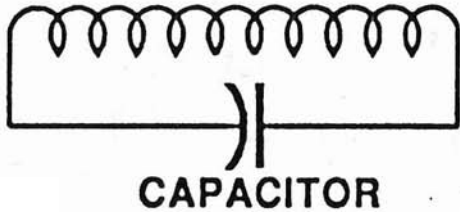
CONSERVER MAGNET



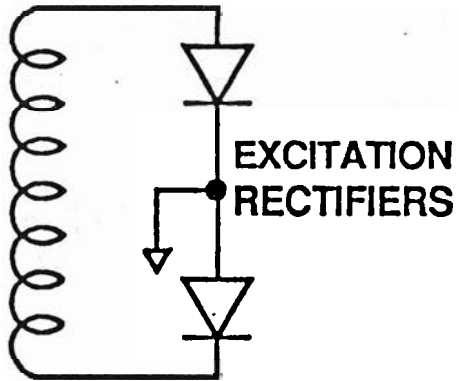
**WIRING DIAGRAM**

MODEL **HP6000E/L**  
SD-15159-001

EXCITATION  
WINDING  
(STATOR)



FIELD  
COILS  
(ROTOR)



MAIN  
STATOR  
AC WINDING

