

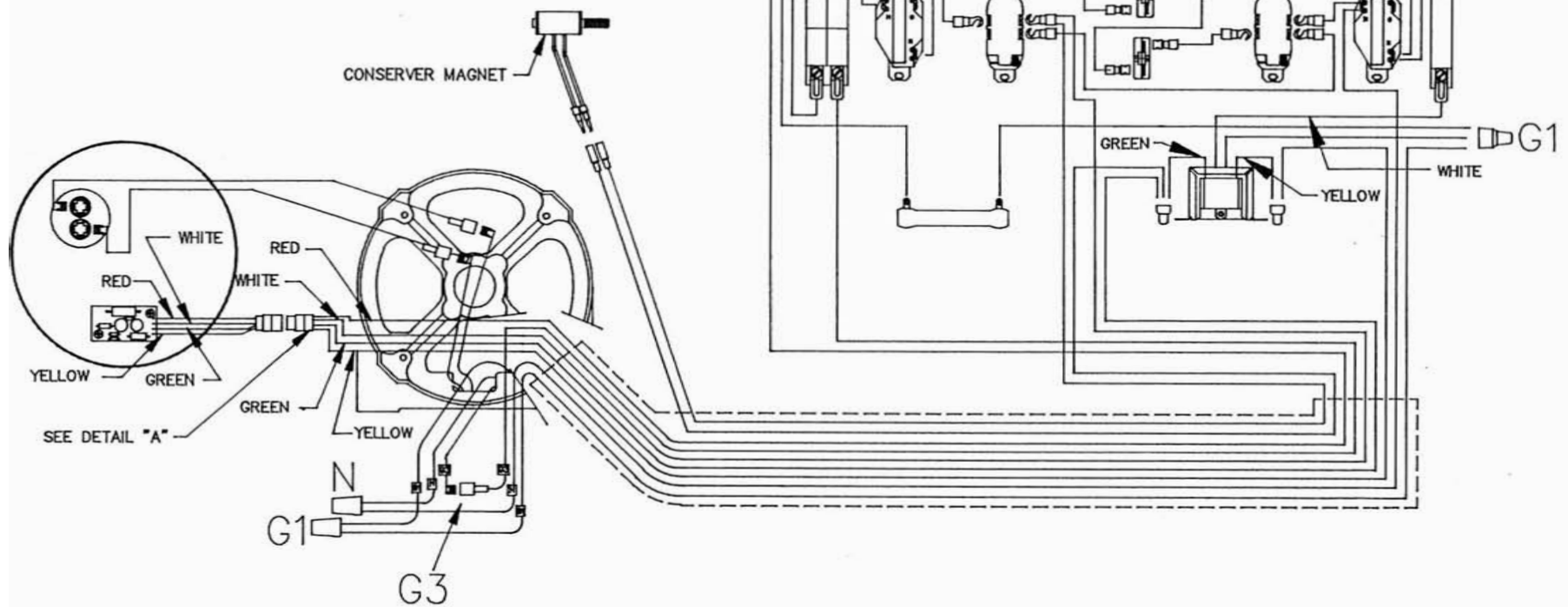
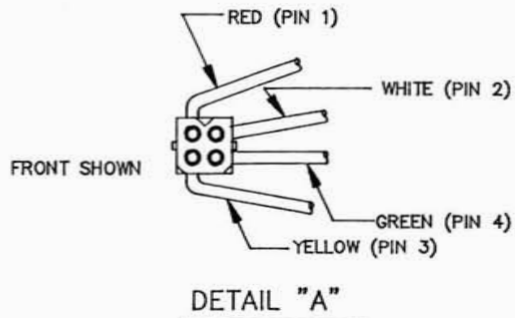
REF #	EC4500E/L DESCRIPTION	PART #	4500/L QTY
100	ENGINE - B&S 190437-5506	15191-000	1
105	AIR-CLEANER BRACE	15058-000	1
106	MUFFLER	64478-000	1
107	SPARK ARRESTOR	64159-000	1
112	BRACKET, CONSERVER	44927-000	1
114	LEVER, CONSERVER	44892-000	1
141	ELECTRO-MAGNET, CONSERVER	15182-000	1
142	COVER, ELECTRO-MAGNET	44891-000	1
240	AC PANEL ASSY-EC4500E/L	15536-000 15356-000	1
→ 241	BATTERY 'QUICK' CONNECTOR	43659-000	2
243	RESISTOR, CONS. 150/50W	48583-000	1
244	TRANSFORMER, CONSERVER	54196-000	1
245	RECEPT. - 240V L6-20R	56281-000	1
246	RECEPT. - 240V 6-20R	56279-000	1
247	DUPLEX RECP.- 120V L5-15R	49475-000	1
249	DUPLEX RECP.- 120V 5-15R	24749-000	1
250	FRONT PANEL ONLY	15354-000	1
251	COVER, CONTROL BOX	15355-000	1
255	CONSERVER MODULE	15110-400	1
258	CIRCUIT BREAKER - 20A 1P	64230-001	2
259	CIRCUIT BREAKER - 20A 2P	57030-001	1
261	CIRCUIT BREAKER - 35A 1P	91977-008	1
280	CAPACITOR (40mfd/370V)	15051-000	2
290	END COVER ASSY	15114-000	1
291	END COVER (BARE)	15106-000	1
502	THRU-BOLT - 5/16-24	23197-009	1
511	END BRACKET - ENG END	15008-001	1
512	END BRACKET - BRG END	15015-001	1
513	BOLT, STATOR - 1/4-20	15068-008	1
514	STATOR ASSEMBLY- 4500/L	15091-005	1
530	ROTOR ASSY W/BRG & FAN	15045-005	1
532	BEARING	55223-000	1
601	CRADLE	15351-000	1
602	GENERATOR SUPPORT BKT.	15084-000	1
603	SHOCK MOUNT	64062-000	3

REF #	EC4500E/L DESCRIPTION	PART #	4500/L QTY
901	DECAL SET, WARNING	15209-000	1
902	DECAL - EC4500	64214-037	1
906	NAMEPLATE	63966-000	1
910	PACK GROUP	64206-027	1
998	OPERATORS MANUAL	60706-063	1
	REPAIR PARTS LIST	60701-063	1
999	SCHEMATIC DIAGRAM	15266-002	1

FOLLOWING INFORMATION IS FOR REFERENCE ONLY

000	COMPLETE UNIT ASSEMBLY	15358-000	#
110	CONSERVER ASSEMBLY	15184-000	1
111	CONSERVER PLUG/CORD ASSY	15110-001	1
500	GEN. ASSY. - COMPLETE	15041-012	1
535	FAN	15136-001	1
566	RECTIFIER - STD POLARITY	15047-001	1
567	RECTIFIER - REV POLARITY	15047-002	1
998	POLY BAG 7 X 14	100054-629	1

UNIT MODEL SERIES	EC4500/L
AC RESIDUAL VOLTS	7.0 VAC L-L
FIELD RESISTANCE	1.0 OHMS
WINDING SPEC. (SS#)	1531
ARM. CONNECTION (AC#)	367



WIRING DIAGRAM

MODEL EC4500E/L	
SD-15356A	ISSUE 1