



## ILLUSTRATED PARTS LIST

**PSS20LS-3/A**

**PSS20LS-4/A**

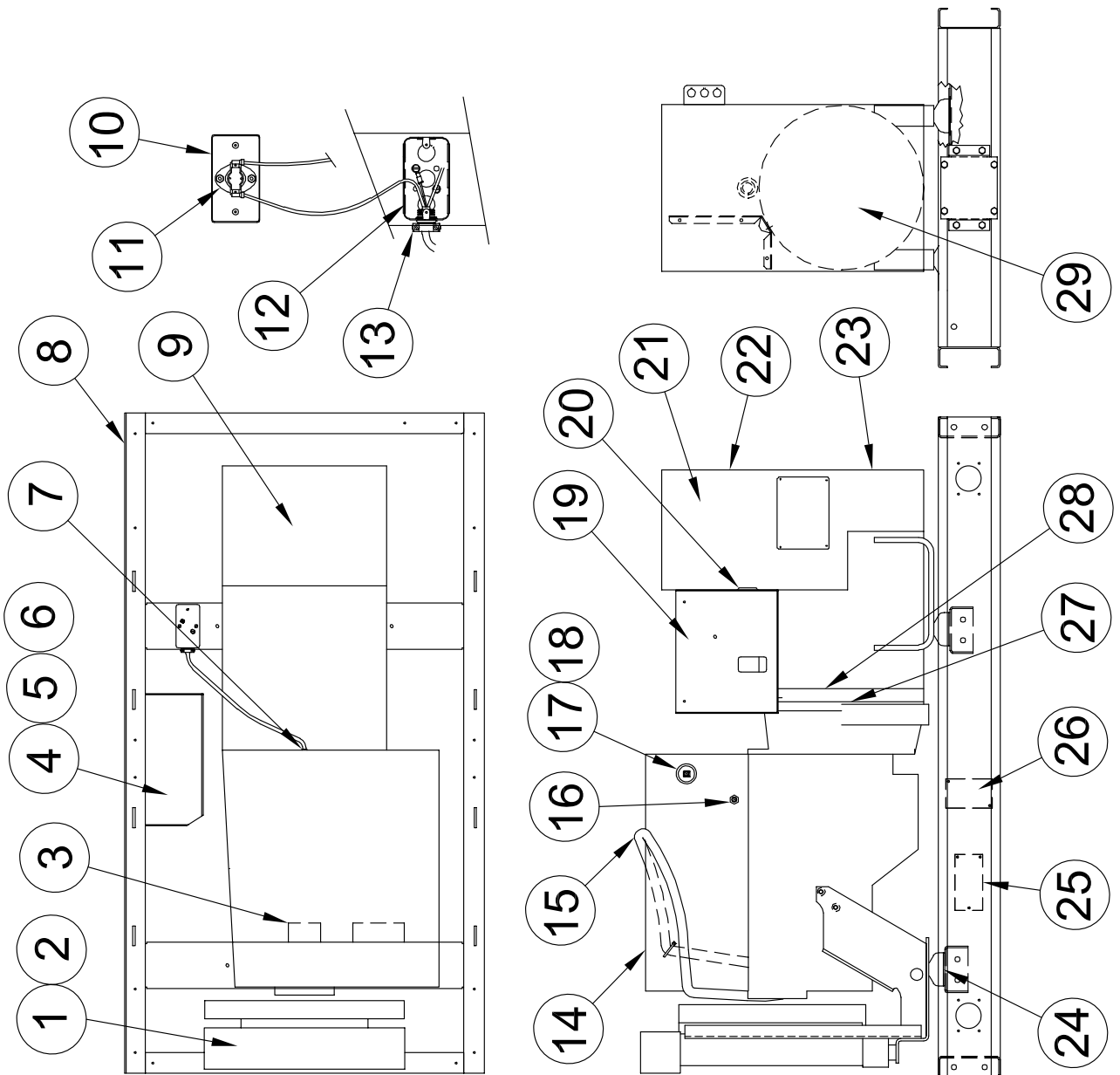
**PSS20LS-17/A**

**PSS20LS18/A**



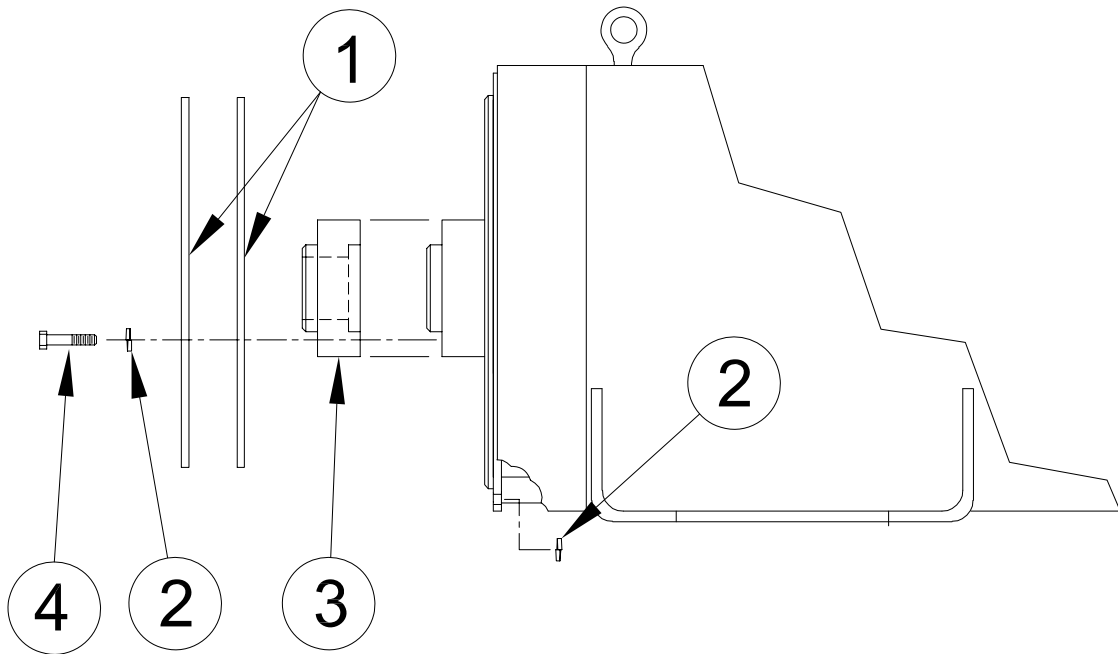
225 S. CORDOVA AVE.  
LECENTER, MN 56057  
507-357-6821  
SERVICE DEPT.  
507-357-6831

# GENERATOR ASSEMBLY



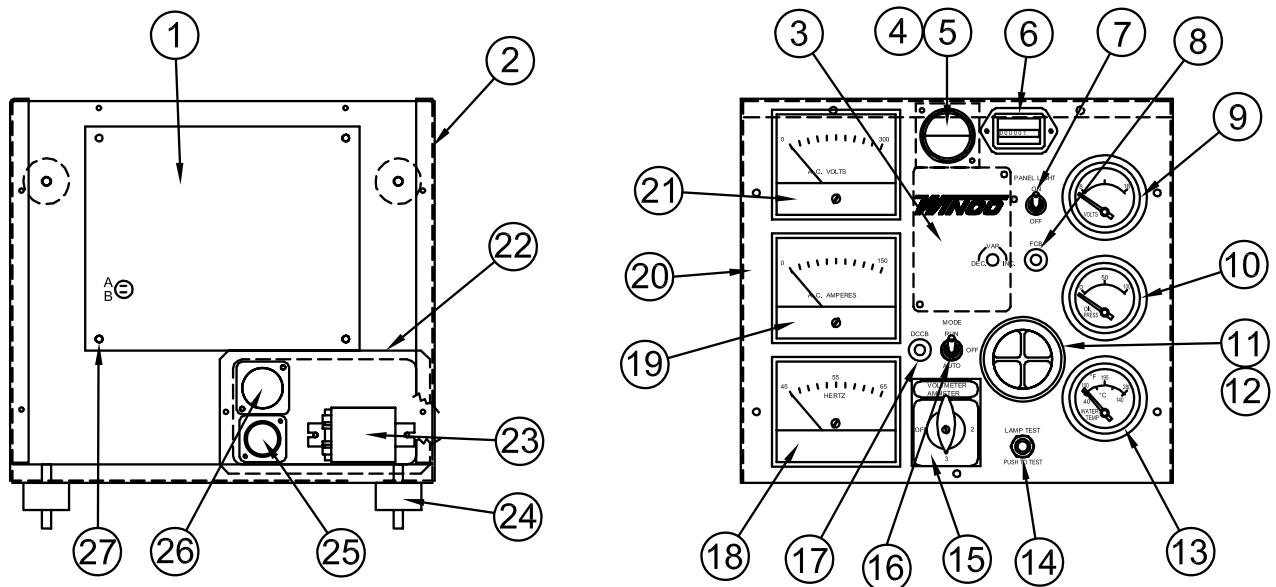
REF #	PART NUMBER	QTY	DESCRIPTION
1	Ford Part	1	Radiator
2	99363-000	1	Fan Guard
3	80980-000	1	Start Solenoid
4	93569-001	1	Battery Rack
5	53220-057	1	Negative (-) Battery Cable
6	53220-056	1	Positive (+) Battery Cable
7	82505-002	1	Block Heater
8	99059-000	1	Base Assembly
9	92469-001	1	Top Cover
10	15812-000	1	Conduit Box Cover
11	15816-000	1	Temperature Sensor
12	92789-000	2	Conduit Box
13	93073-000	2	Conduit Connector
14	99372-002	1	Ford Engine 2.3 Liter LSG423I-6005
15	93689-001	3.75 FT	5/8" Hose
16	99265-000	1	Water Temperature Sender
17	99267-001	1	Oil Pressure Sender
18	80951-000	1	1/4" X 1/8" Reducer
19	99057-000	1	Control Support
20	62486-000	1	Grommet
21	91642-001	1	Welded Box Assembly
22	92470-000	1	Upper Front Cover
23	91640-001	1	Lower Front Panel
24	98956-001	4	Shock Mounts
25	Reference	1	Ignition Module
26	Reference	1	Alternator Voltage Regulator
27	96000-004	12	3/8"-16 X 1.5" Bolt
28	91337-005	1	Formed Cover
29	92467-019	1	Generator Assembly
NI	PH8A	1*	Oil Filter
NI	RS12YC	4**	Spark Plug
NI	AF1-8	1***	Air Cleaner
NI	Not Illustrated		
*	Fram Part #		
**	Champion part #		
***	IMPCO part #		

# GENERATOR ADAPTER ASSEMBLY



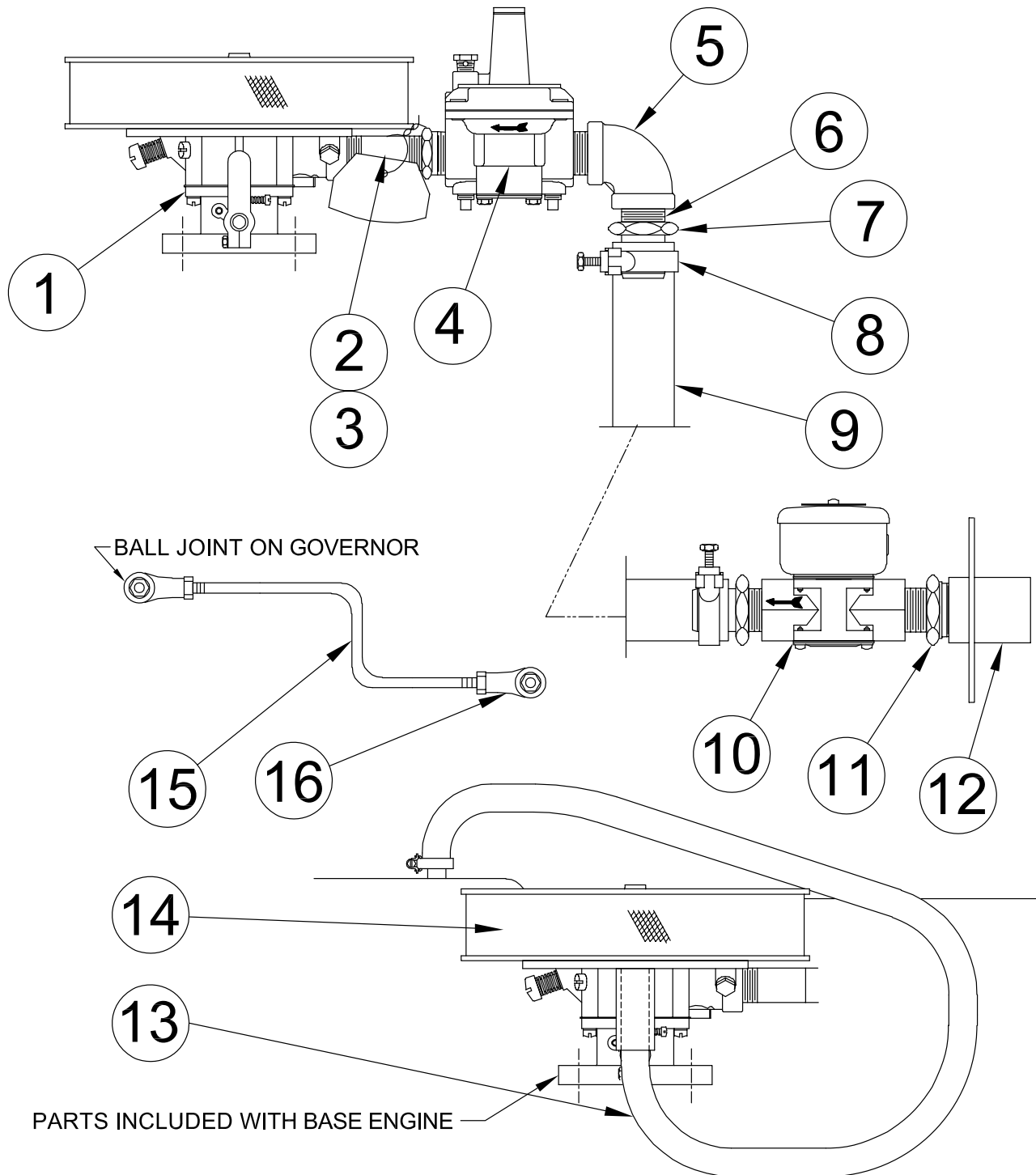
REF #	PART NUMBER	QTY	DESCRIPTION
1	91564-000	2	Drive Disk
2	481-001	18	Split Lock Washer
3	91524-000	1	Drive Disk Spacer
4	96000-007	6	3/8"-16 X 2.25" Bolt

# CONTROL CABINET ASSEMBLY



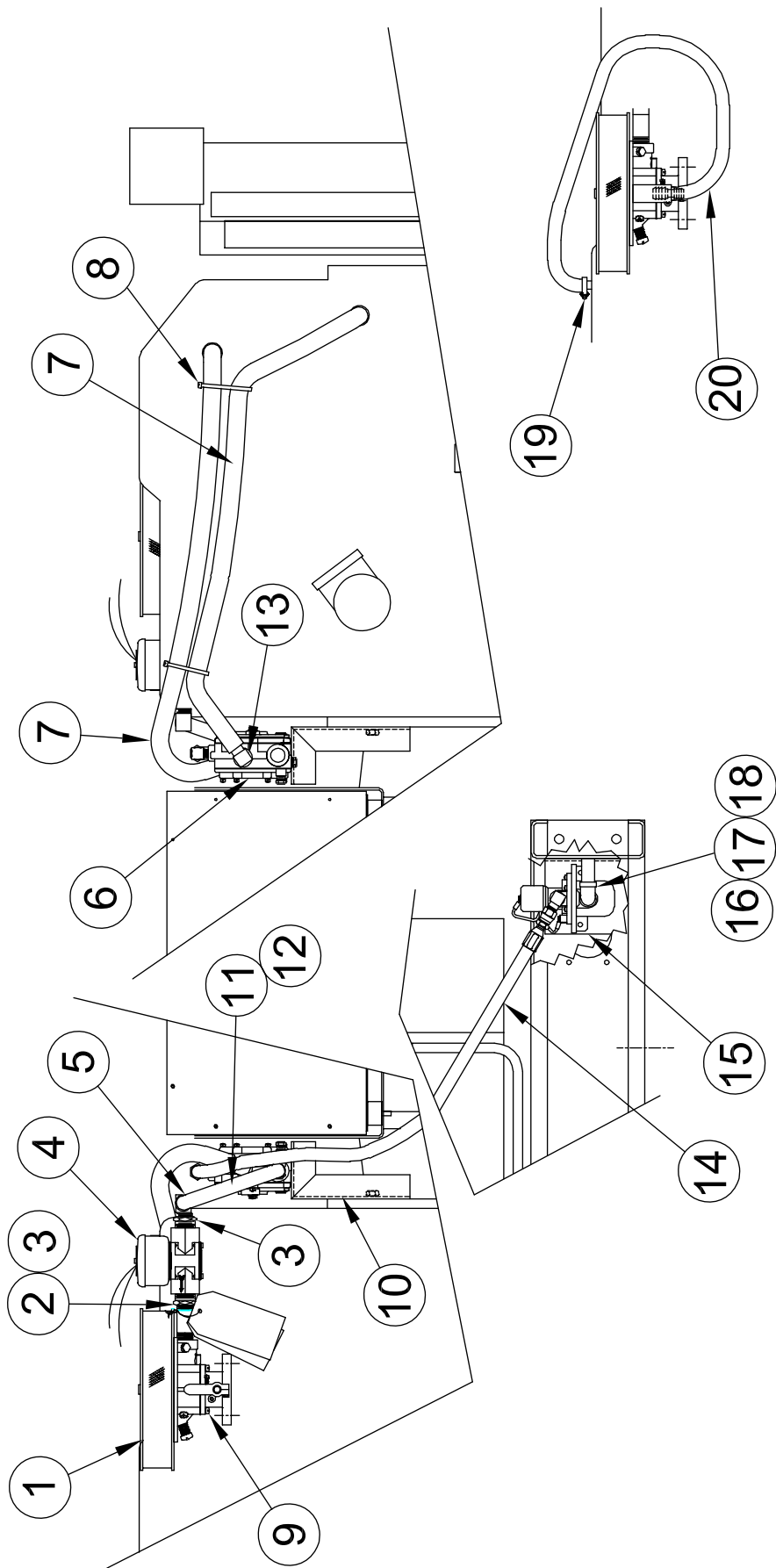
REF #	PART NUMBER	QTY	DESCRIPTION
1	72190-416	1	Engine Control Module
2	99056-000	1	Control Cabinet Back
3	98884-000	1	Voltage Regulator
4	99297-000	1	Light Backing Plate
5	95807-000	1	Panel Light
6	58166-006	1	Running Time Meter
7	71215-001	1	Toggle Switch
8	91286-007	1	5 Amp Circuit Breaker
9	99268-000	1	DC Voltage Gauge
10	99266-000	1	Oil Pressure Gauge
11	98946-001	1	Light Cluster
12	98947-000	1	Light Cluster Harness
13	99264-000	1	Water Temperature Gauge
14	71444-001	1	Push Button Switch
15	99003-001	1	Selector Switch -3 models
15	99003-000	1	Selector Switch -4, -17, -18
16	71216-001	1	Toggle Switch
17	91286-000	1	15 Amp Circuit Breaker
18	99272-002	1	Frequency Meter
19	99271-003	1	Ammeter -3 model
19	99271-006	1	Ammeter -4, -17 models
19	99271-008	1	Ammeter -18 model
20	99055-000	1	Control Cabinet Front
21	99270-003	1	Voltmeter -3, -4, -17 models
21	99270-002	1	Voltmeter -18 model
22	99343-000	1	Connector Mounting Plate
23	59944-006	1	Relay
24	71605-003	4	Shock Mount
25	96925-005	1	9 Pin Connector
26	96925-002	1	14 Pin Connector
27	91454-003	1	Spacer
NI	71234-003	2	Current Transformer -3 model
NI	71234-002	3	Current Transformer -4, -17
NI	71234-013	3	Current Transformer -18 model
NI	Not Illustrated		

# FUEL SYSTEM ASSEMBLY NATURAL GAS & LP VAPOR



REF #	PART NUMBER	QTY	DESCRIPTION
1	93413-000	1	Carburetor Modification
2	22399-000	1	Pipe Nipple
3	81075-000	1	Pipe Bushing 1/2" M, 3/4" F
4	50248-000	1	Regulator
5	50244-000	1	90° Elbow
6	22626-000	2	Pipe Nipple
7	92388-004	2	3/4" to 1" Hose Fitting
8	50245-000	2	Clamp
9	49409-000	4 FT	Hose
10	42942-000	1	Solenoid Valve
11	81077-000	1	Bushing
12	99065-000	1	Fuel Cover Weldment
13	94058-000	2.3 FT	Hose
14	F1-8	1*	Air Filter
15	63334-000	1	Governor Rod
16	63650-000	1	Ball Joint
NI	Reference	1**	Mechanical Governor
NI	Not Illustrated		
*	IMPCO Part #		
**	Provided by Ford		

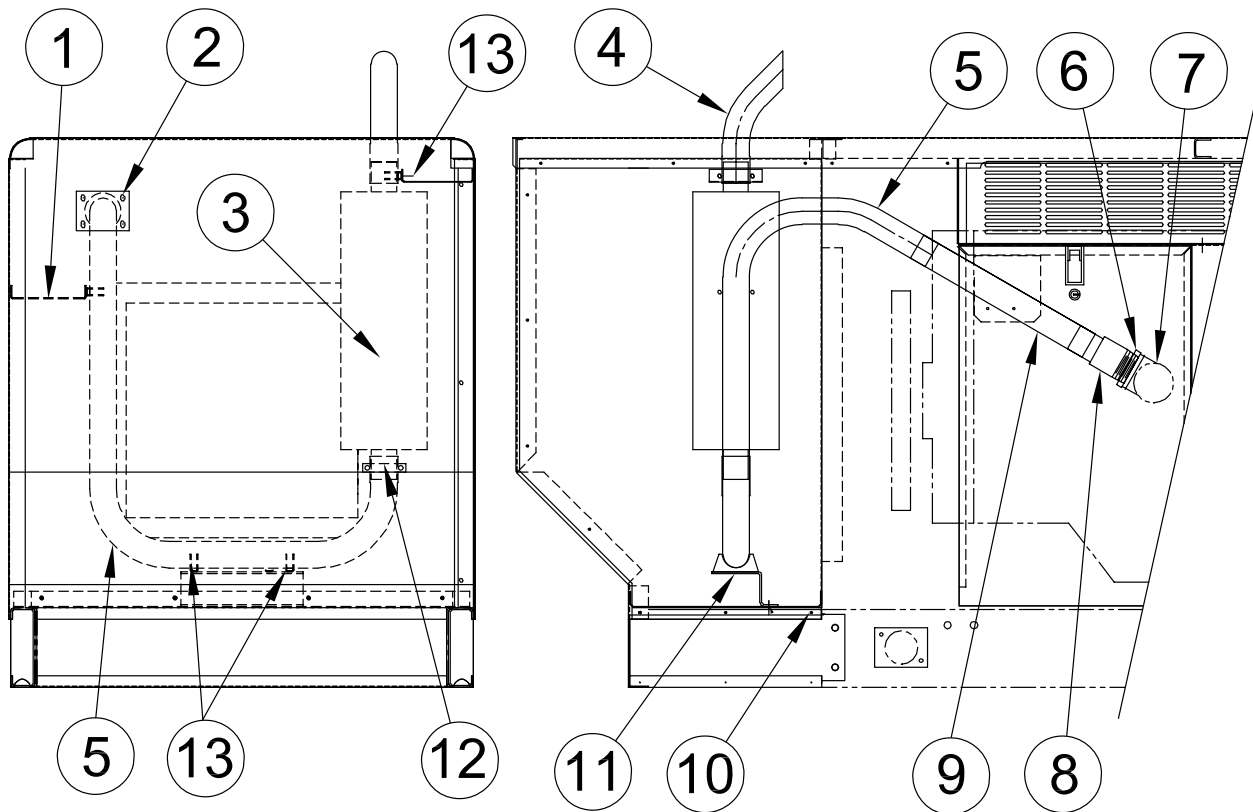
# LP LIQUID WITHDRAWAL ASSEMBLY



REF #	PART NUMBER	QTY	DESCRIPTION
1	F1-8	1*	Air Cleaner
2	22399-000	1	Pipe Nipple
3	81075-000	2	Pipe Bushing ½" F ¾" M
4	42942-000	1	Solenoid
5	92382-001	1	90° Reducer Elbow
6	81636-000	1	Converter - Regulator
7	93689-001	5 FT	Hose
8	49975-011	6	Tie Wrap
9	93413-000	1	Carburetor Modification
10	99364-000	1	Mounting Bracket
11	56107-000	1 FT	Hose
12	92388-001	1	Brass Hose Fitting
13	92382-000	2	90° Brass Elbow
14	92940-006	1	Hose Assembly
15	99085-001	1	Fuel Cover Plate
16	23691-000	2	¼" Pipe Nipple
17	92533-000	1	¼" 90° Elbow
18	22597-000	1	¼" Coupling
19	81018-008	1	Clamp
20	62286-000	2 FT	Hose

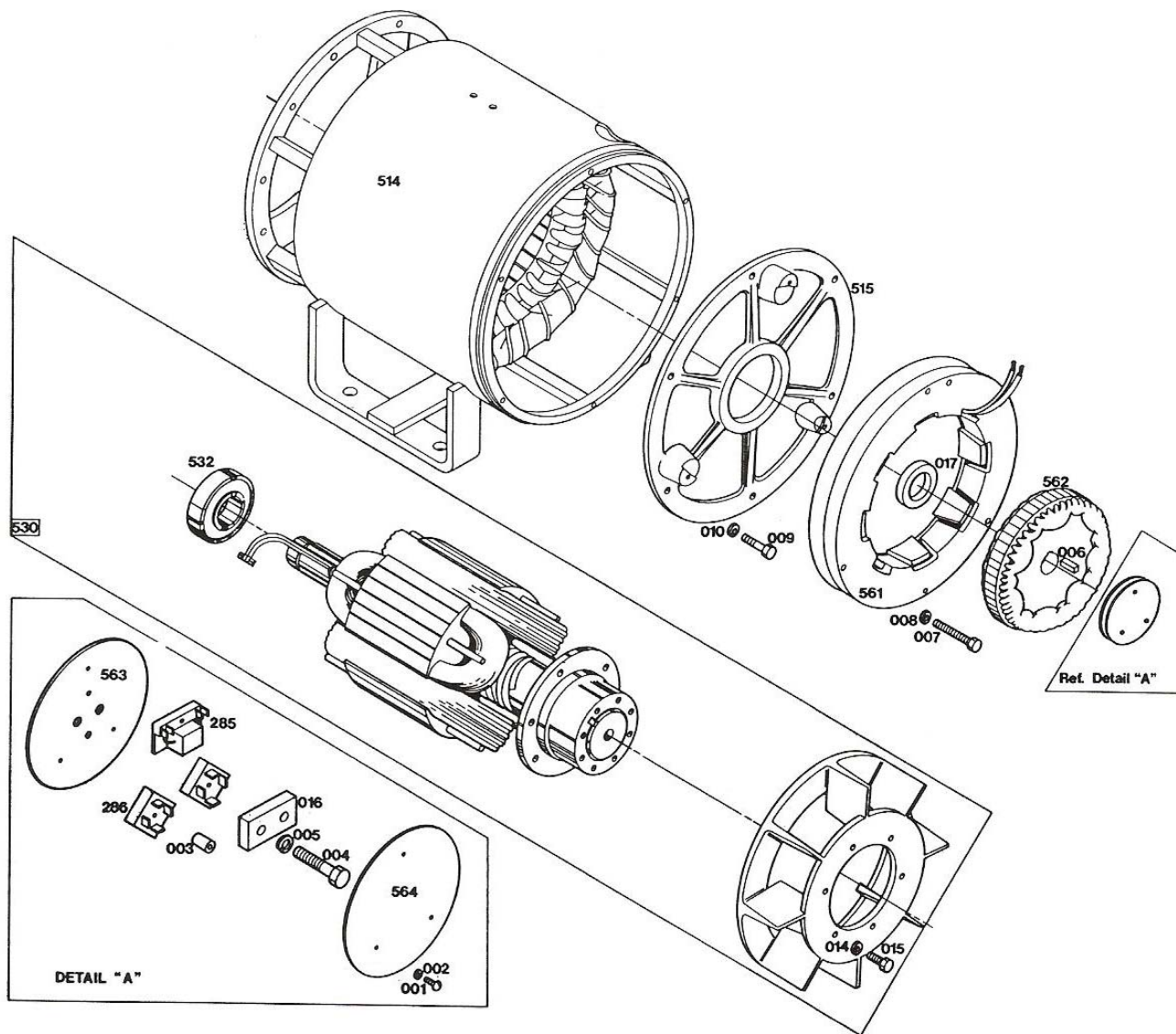
\* IMPCO Part #

# EXHAUST ASSEMBLY



REF #	PART NUMBER	QTY	DESCRIPTION
1	99291-000	1	Exhaust Support
2	99060-001	1	Cover Plate
3	80519-001	1	Muffler
4	99299-000	1	Tail Pipe
5	99298-000	1	Exhaust Pipe
6	63274-000	1	Flange Adapter
7	92042-002	1	90° Elbow
8	99294-000	1	Exhaust Adapter
9	98412-002	1	Flex Exhaust Pipe
10	99223-000	1	Air Chamber Floor
11	99234-000	1	Exhaust Support
12	93489-003	7	Muffler Clamp
13	99292-000	1	Exhaust Pipe Support

# GENERATOR ASSEMBLY



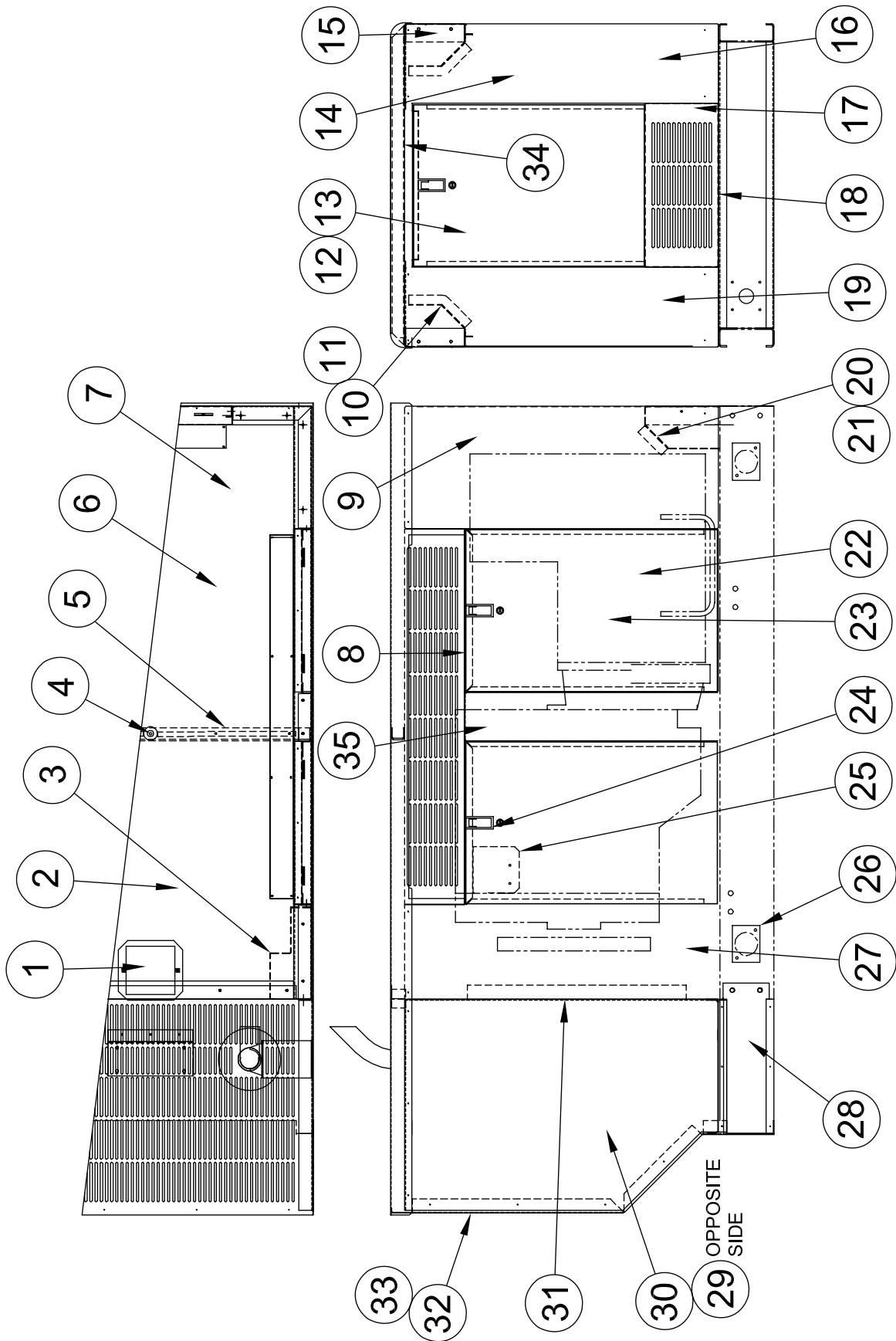
REF #	PART NUMBER	QTY	DESCRIPTION
001	91410-000	3	10-32 X 7/8" Threaded Stud
003	91454-001	3	10-32 X 3/4" Spacer
004	93617-005	2	7/16-14 X 1.5" Bolt
005	90570-001	2	Lock Washer
006	93622-000	1	Key
007	91431-000	3	1/4-28 X 2.75" Bolt
008	479-000	3	Split Lock Washer
009	91256-000	6	7/16-14 X 1.75" Bolt
010	90570-000	6	Split Lock Washer
016	93616-000	1	Exciter Retainer Bar

REF #	PART NUMBER	QTY	DESCRIPTION
017	93615-000	1	Exciter Support Collar
285	91455-000	1	Surge Suppressor
286	91452-000	2	Bridge Rectifier
514	91613-001	1	Stator Assembly
515	91620-000	1	End Bracket
530	91654-001	1	Rotor Assembly
532	91627-000	1*	Bearing
561	91665-000	1	Exciter Stator
562	91442-000	1	Exciter Rotor
563	91411-000	1	Retainer
564	91491-000	1	Insulator
DETAIL "A"	91413-000	1	Complete Retainer Assembly
*			Comes with rotor assy.

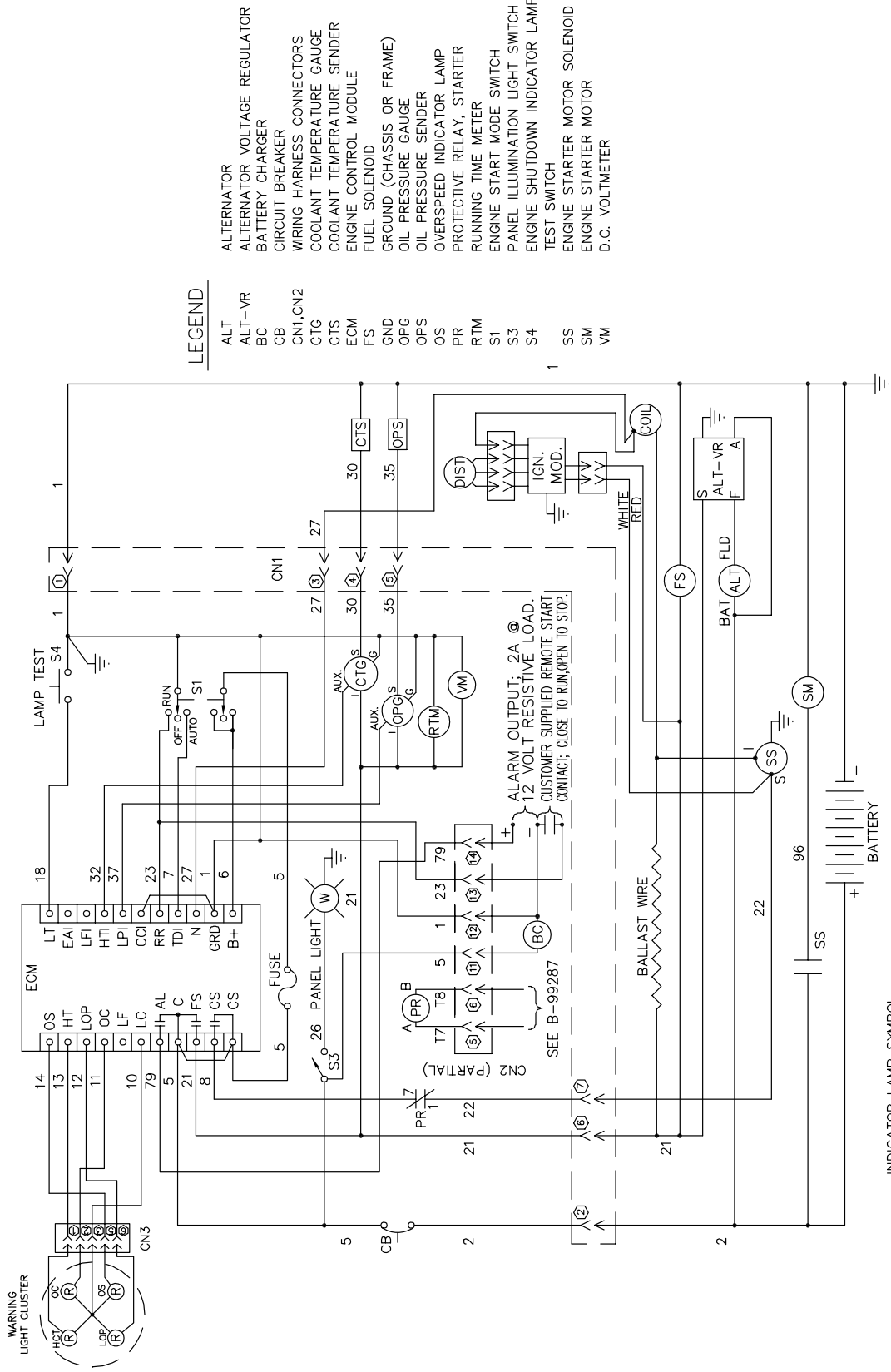
## DECALS

REF #	PART NUMBER	QTY	DESCRIPTION
NI	15750-001	1	Ground Decal
NI	97813-000	3	Auto Start Warning
NI	15209-000	1	Warning Decal
NI	56596-000	1	Fuel Decal
NI	56597-000	1	Fuel Decal
NI	63941-001	1	Hot Surface Decal
NI	64891-001	1	Electrical Code Decal
NI	63941-003	1	Battery Warning Decal
NI	Not Illustrated		

# HOUSING ASSEMBLY

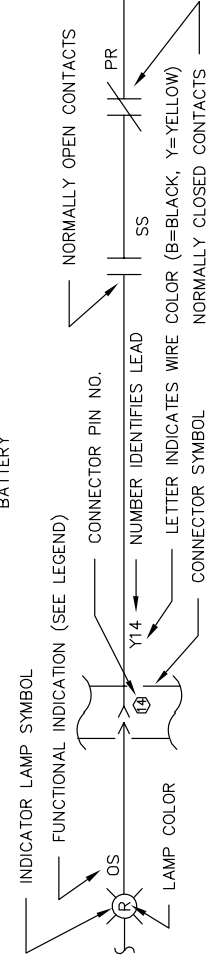


REF #	PART NUMBER	QTY	DESCRIPTION
1	62026-003	1	Cover Plate
2	99095-402	1	Foam Piece
3	99378-001	2	Front Housing Baffle
4	62825-011	1	Spacer
5	99225-000	1	Roof Support
6	99095-405	1	Foam Piece
7	99086-000	1	Roof
8	99224-000	4	Door Jam
9	99095-411	2	Foam Piece
10	99103-001	2	Backing Plate
11	99095-408	4	Foam Piece
12	99095-413	1	Door Foam
13	15680-013	1	Rear Door
14	99095-410	2	Foam Piece
15	99098-000	2	Sill
16	99067-001	1	Right Rear Corner Post
17	99100-000	1	Rear Sill
18	466-000	4	1/4"-20 X 3/4" Bolt
19	99067-000	1	Left Rear Corner Post
20	99095-404	1	Foam Piece
21	99103-000	1	Backing Plate
22	99095-412	4	Door Foam
23	15680-009	4	Side Door
24	95229-004	5	Door Latch
25	99500-000	1*	Heat Shield
26	99060-000	4	Cover Plate
27	99071-000	1	Housing Front
28	99079-000	2	Base Extension
29	99082-001	1	Right Side Extension
30	99082-000	1	Left Side Extension
31	92421-000	8 FT	Foam
32	99083-000	1	Front Extension Panel
33	99095-406	1	Foam Piece
34	99408-001	1	Roof End
35	99066-000	2	Mullion
NI	62912-000	40 FT	Foam Strip
*	Not used on this Model		
NI	Not Illustrated		



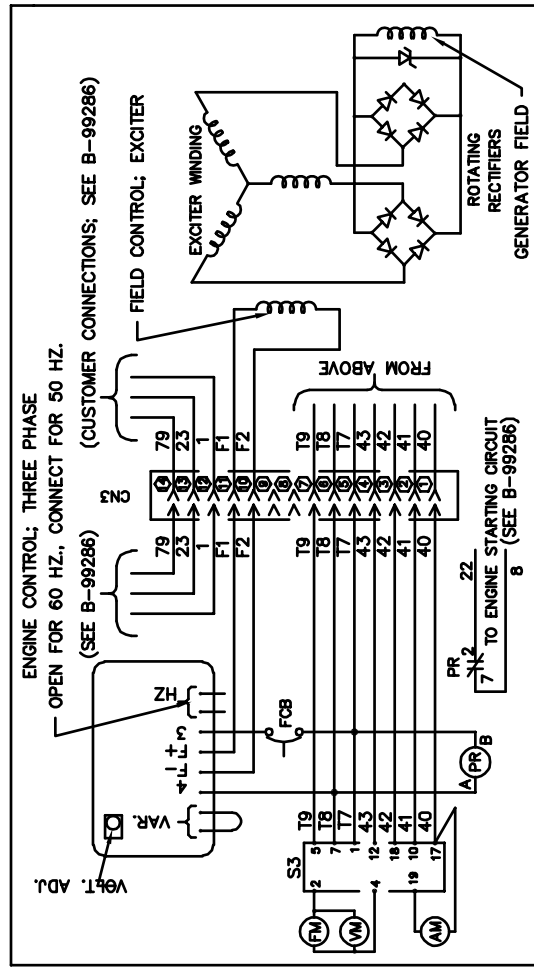
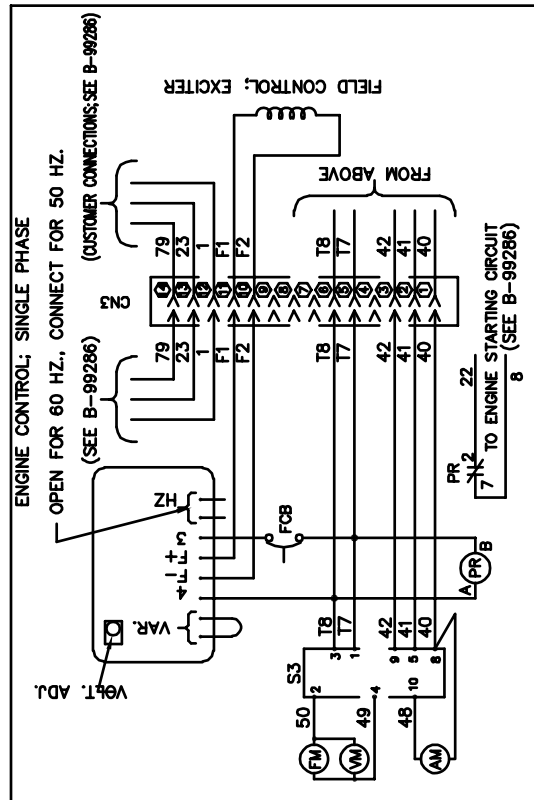
**LEGEND**

- ALT ALTERNATOR
- ALT-VR ALTERNATOR VOLTAGE REGULATOR
- BC BATTERY CHARGER
- CB CIRCUIT BREAKER
- CN1, CN2 WIRING HARNESS CONNECTORS
- CTG COOLANT TEMPERATURE GAUGE
- CTS COOLANT TEMPERATURE SENDER
- ECM ENGINE CONTROL MODULE
- FS FUEL SOLENOID
- GND GROUND (CHASSIS OR FRAME)
- OPG OIL PRESSURE GAUGE
- OPS OIL PRESSURE SENDER
- OS OIL PRESSURE SENDER
- PR OVERSPEED INDICATOR LAMP
- RTM RUNNING TIME METER
- S1 ENGINE START MODE SWITCH
- S3 ENGINE ILLUMINATION LIGHT SWITCH
- S4 ENGINE SHUTDOWN INDICATOR LAMP
- SS TEST SWITCH
- SM ENGINE STARTER MOTOR SOLENOID
- SM ENGINE STARTER MOTOR
- VM D.C. VOLTMETER

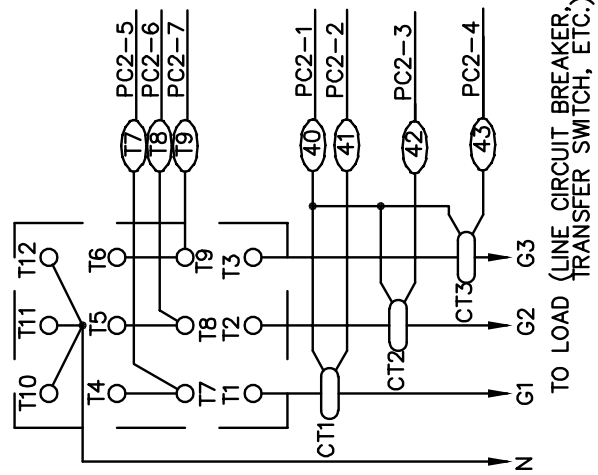
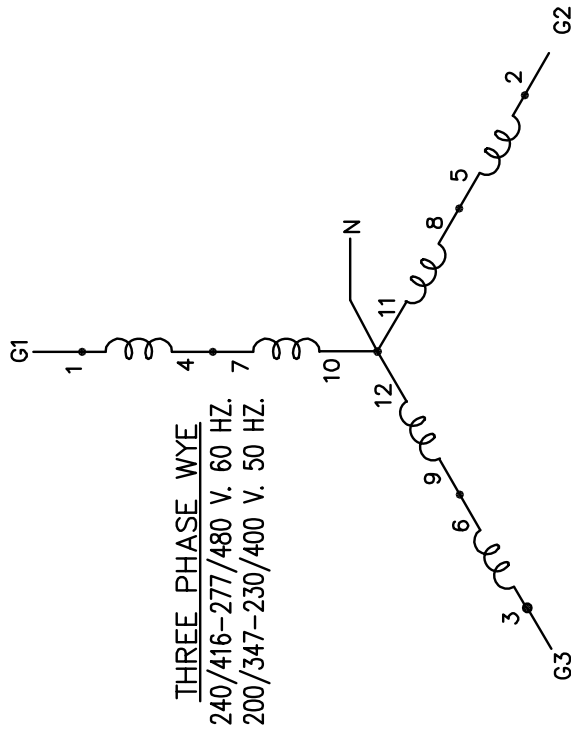


**DC WIRING SCHEMATIC**

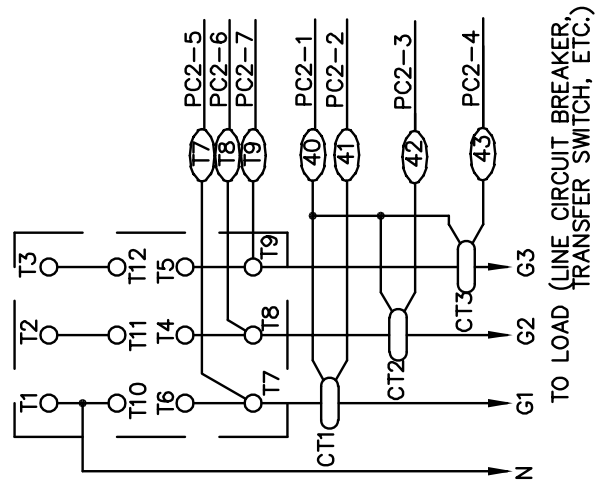
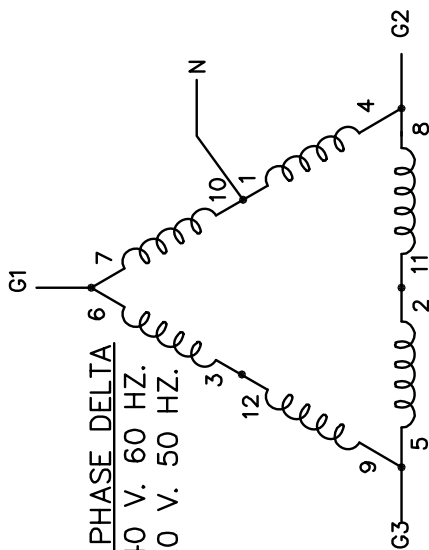
# ENGINE CONTROL SCHEMATICS



# AC WIRING SCHEMATIC



**PSS20LS-17/A**



**PSS20LS-18/A**

