



ILLUSTRATED PARTS LIST

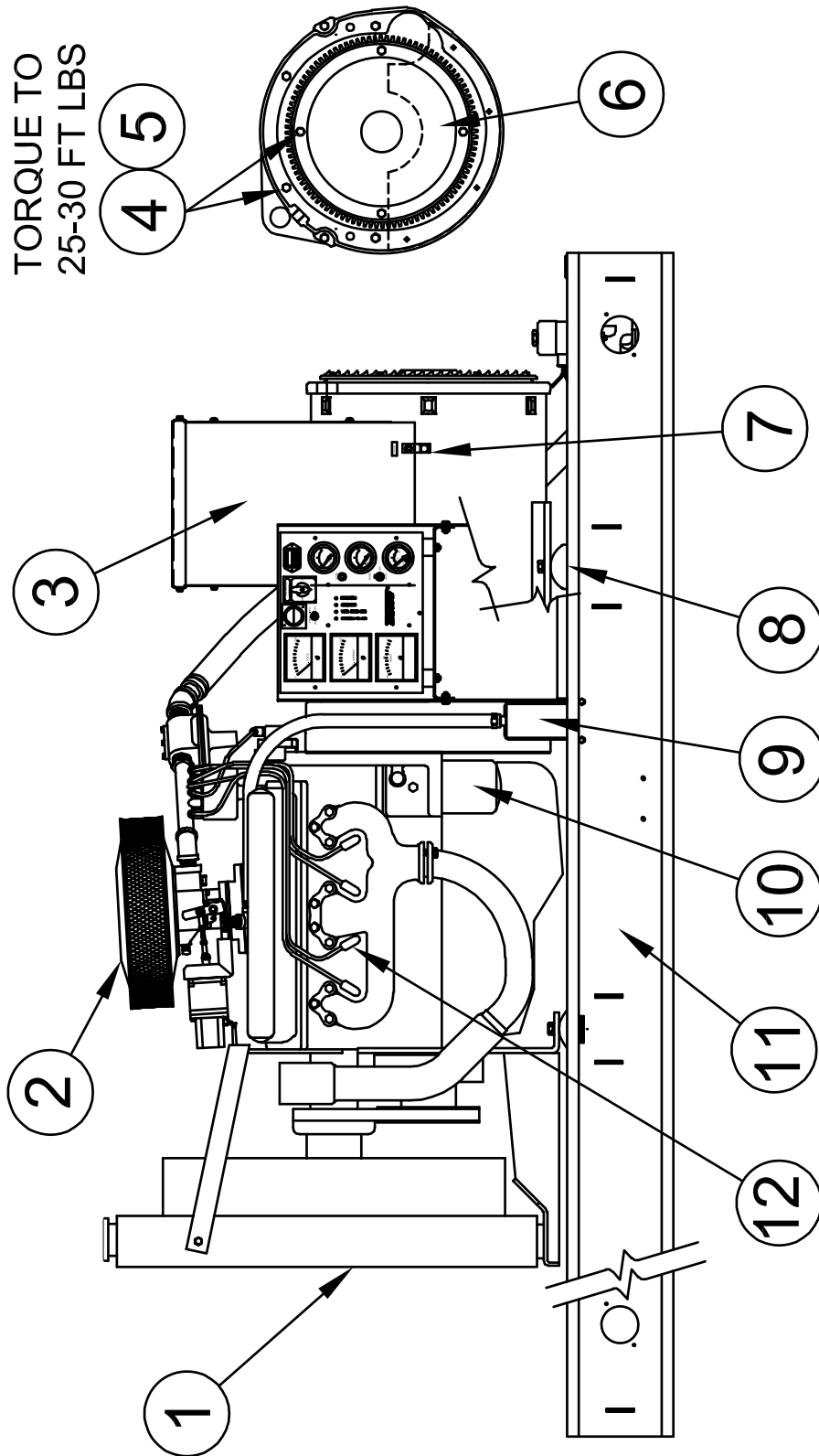
PSS50LS-3/A
PSS50LS-4/A
PSS50LS-17/A
PSS50LS-18/A
PSS50LS-3/B
PSS50LS-4/B
PSS50LS-17/B
PSS50LS-18/B



2001-2003

225 S. CORDOVA AVE.
LECENTER, MN 56057
507-357-6821
SERVICE DEPT.
507-357-6831

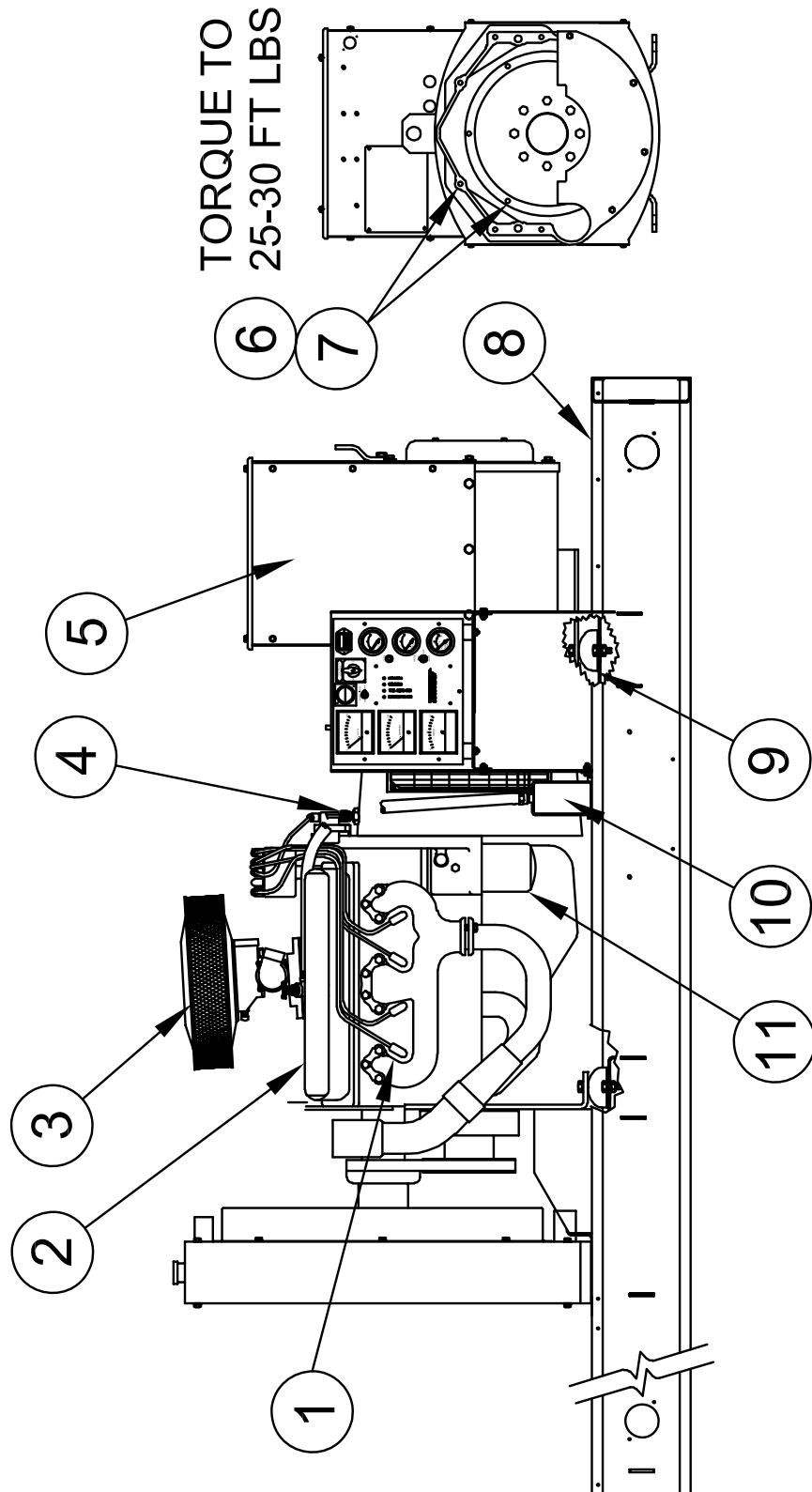
GENERATOR ASSEMBLY PSS50LS/A



REF #	PART NUMBER	QTY	DESCRIPTION
1	350002-9	1	Engine, GM 5.7 Liter
2	F1-9	1*	Air Filter
3	SEE TABLE	1	Generator, Marathon
4	96000-004	12	3/8"-16 X 1 1/2" Bolt
5	481-001	12	3/8" Split Lock Washer
6	350553	1	Flywheel Cover Plate
7	48042-000	1	Ground Lug
8	98956-001	4	Shock Mount
9	350087-2	1	1000W 120V Heater
10	PF1218	1**	Oil Filter
11	99381-002	1	Base Assembly
12	41-932	8**	Spark Plug
*	Impco Part #		
**	AC Delco Part #		

MODEL #	MARATHON MODEL #	WINCO PART #
PSS50LS-3/A	361PSL1612	350498-721
PSS50LS-4/A PSS50LS-17/A	361PSL1601	350498-702
PSS50LS-18/A	361PSL1600	350498-701

GENERATOR ASSEMBLY PSS50LS/B

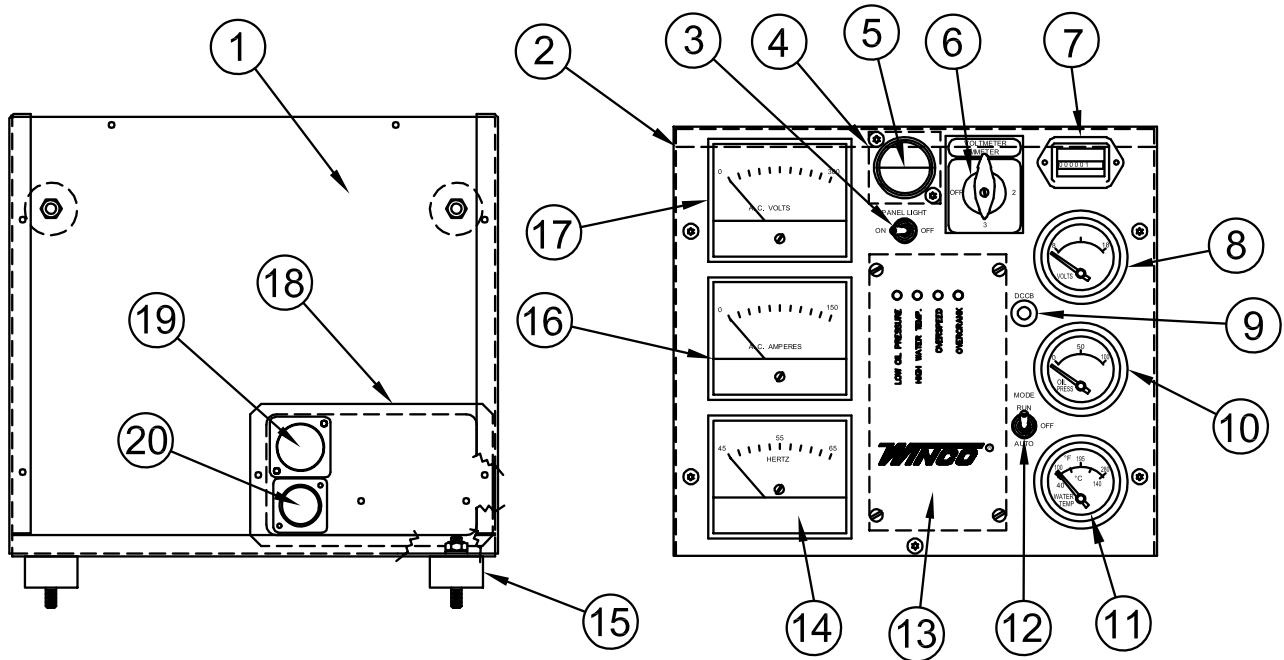


REF #	PART NUMBER	QTY	DESCRIPTION
1	41-932	8*	Spark Plug
2	SEE TABLE	1	Engine GM 5.7 Liter
3	F1-9	1**	Air Filter
4	350101-1	1	Magnetic Pick-up
5	SEE TABLE	1	Generator
6	96000-004	12	3/8"-16 X 1 1/2" Bolt
7	481-001	12	3/8" Split Lock Washer
8	99381-012	1	Base Assembly
9	98956-001	4	Shock Mount
10	350087-2	1	Heater 1000W 120V
11	PF1218	1*	Oil Filter
NI	93689-001	6.9 FT	5/8" I.D. Heater Hose
NI	Not Illustrated		
*	AC Delco Part #		
**	Impco Part #		

MODEL #	PART #
PSS50LS/BNG	350775-7
PSS50LS/BLPG	350775-9
PSS50LS/BLP	350775-8

MODEL #	STAMFORD NEWAGE MODEL #	WINCO PART #
PSS50LS-3/B	UCI224D 4-LEAD	350685-21
PSS50LS-4/B PSS50LS-17/B PSS50LS-18/B	UCI224D 12-LEAD	350685-2

CONTROL BOX ASSEMBLY



REF #	PART NUMBER	QTY	DESCRIPTION
1	99056-000	1	Rear Panel
2	99055-001	1	Front Panel
3	71215-001	1	SPST Toggle Switch
4	95807-000	1	License Light
5	99297-000	1	Backing Plate
6	SEE TABLE	1	Voltmeter, Ammeter Switch
7	58166-006	1	Running Time Meter
8	99268-000	1	DC Voltmeter
9	91286-000	1	15 Amp Breaker
10	99266-000	1	Oil Pressure Gauge
11	99264-000	1	Temperature Gauge
12	71216-001	1	DPDT Toggle Switch
13	64813-400	1	Engine Control Module
14	99272-002	1	Frequency Meter
15	71605-003	4	Shock Mount
16	SEE TABLE	1	Ammeter
17	SEE TABLE	1	Voltmeter
18	99343-000	1	Connector Backing Plate
19	96925-002	1	Connector
20	96925-005	1	Connector

NI
NI

SEE TABLE
Not Illustrated

2 or 3

Current Transformer

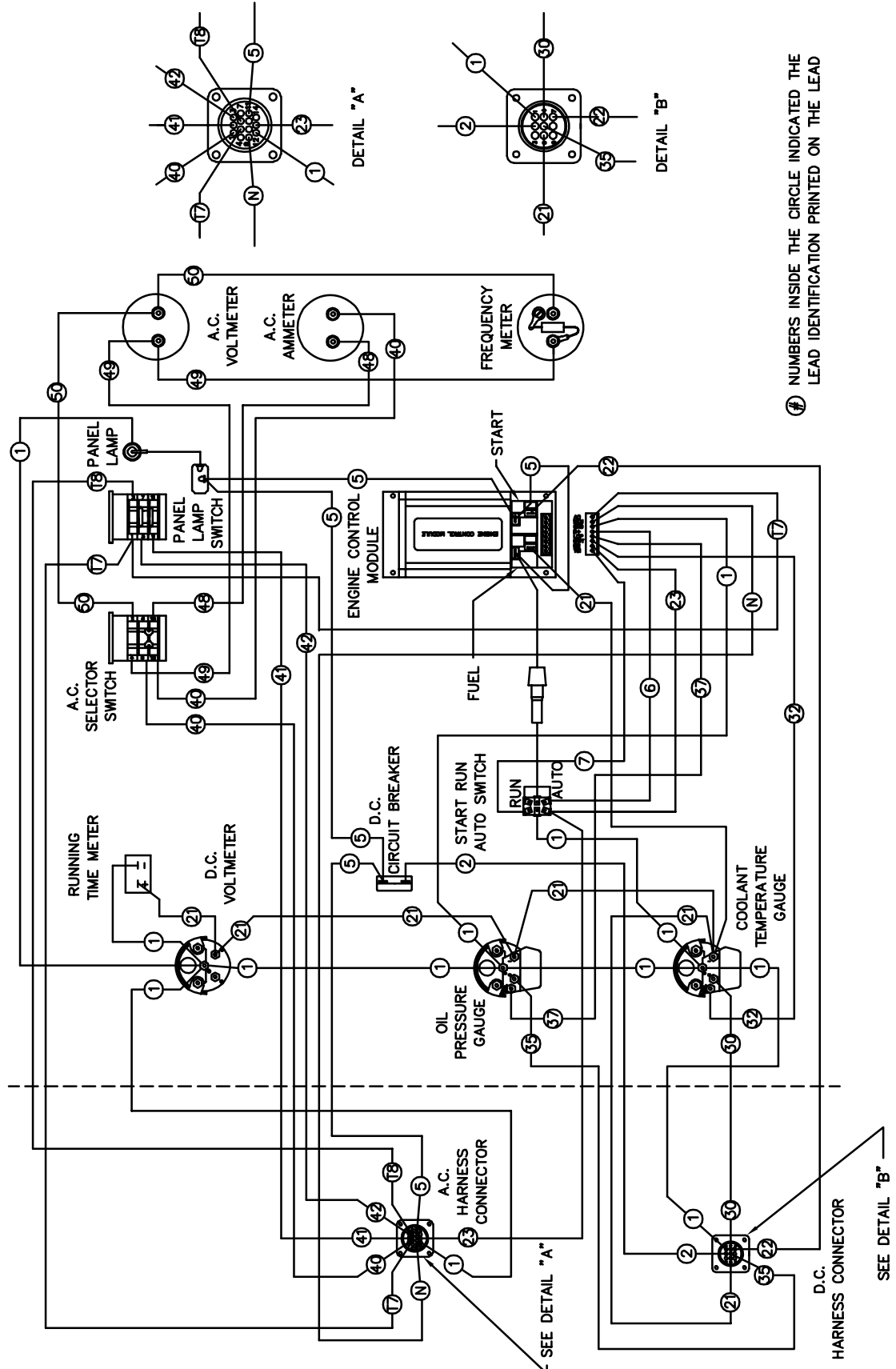
MODEL #	PART NUMBER	DESCRIPTION
PSS50LS-3/A & B	99003-001	VOLTMETER, AMMETER SWITCH
PSS50LS-4/A & B PSS50LS-17/A & B PSS50LS-18/A & B	99003-000	VOLTMETER, AMMETER SWITCH

MODEL #	PART NUMBER	DESCRIPTION
PSS50LS-3/A & B	99271-005	AMMETER
PSS50LS-4/A & B PSS50LS-17/A & B	99271-004	AMMETER
PSS50LS-18/A & B	99271-002	AMMETER

MODEL #	PART NUMBER	DESCRIPTION
PSS50LS-18/A & B	99270-002	VOLTMETER
PSS50LS-3/A & B PSS50LS-4/A & B PSS50LS-17/A & B	99270-003	VOLMETER

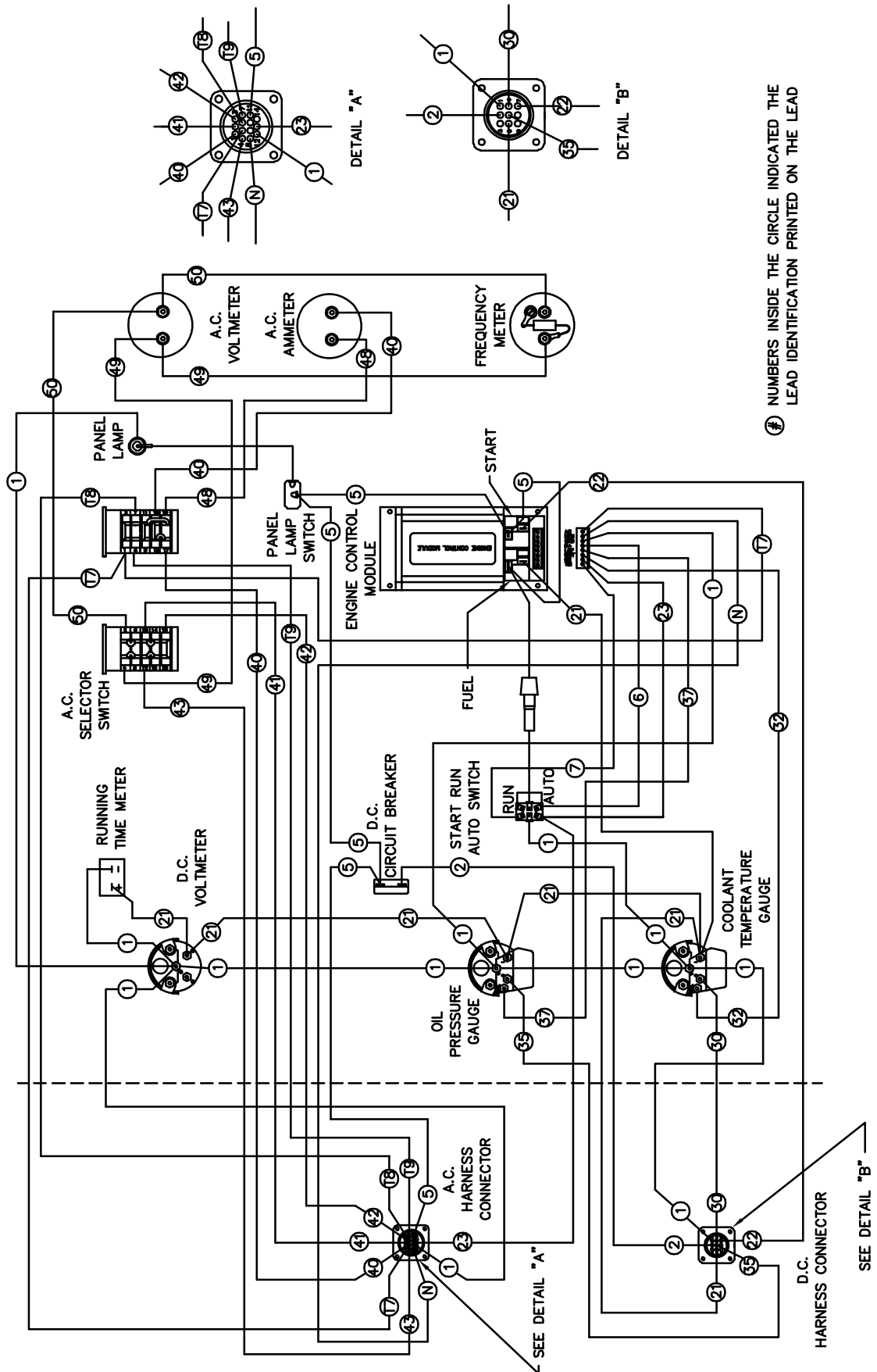
MODEL #	PART NUMBER	DESCRIPTION	QTY
PSS50LS-3/A & B	71234-006	CURRENT TRANSFORMER	2
PSS50LS-4/A & B PSS50LS-17/A & B	71234-001	CURRENT TRANSFORMER	3
PSS50LS-18/A & B	71234-004	CURRENT TRANSFORMER	3

CONTROL PANEL WIRING DIAGRAM SINGLE PHASE

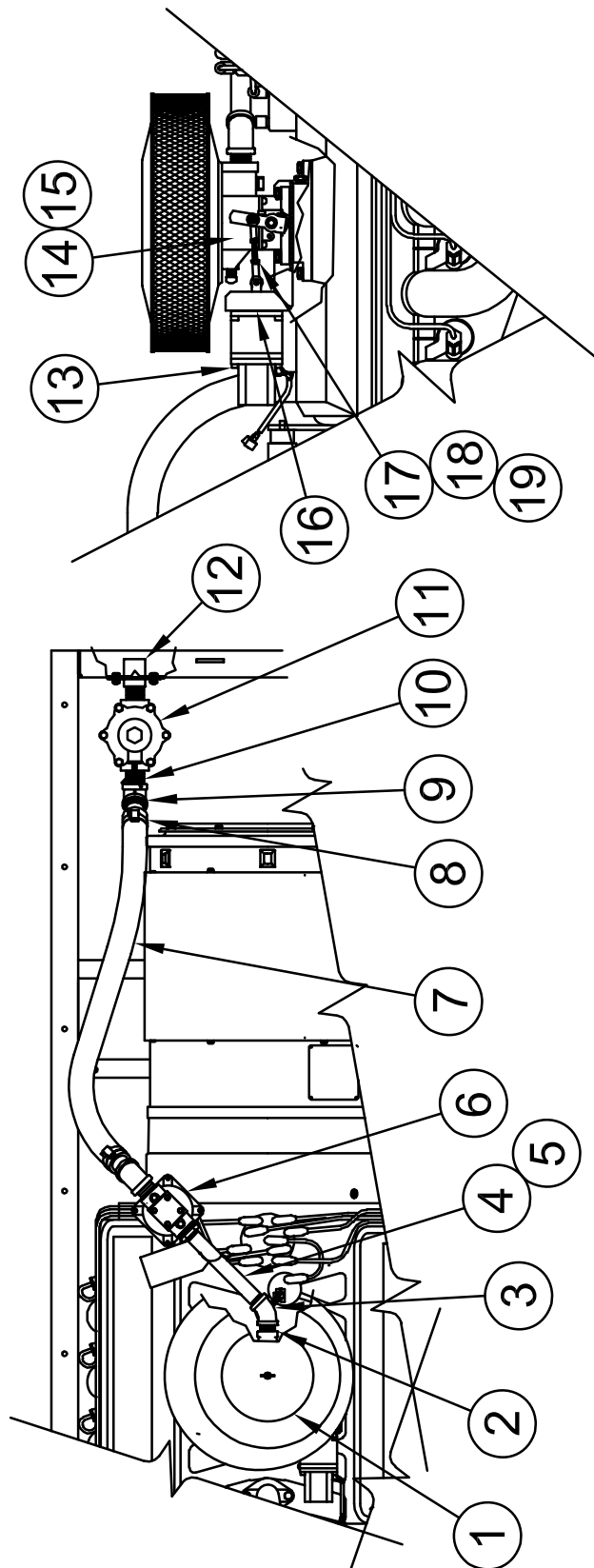


NUMBERS INSIDE THE CIRCLE INDICATED THE LEAD IDENTIFICATION PRINTED ON THE LEAD

CONTROL PANEL WIRING DIAGRAM THREE PHASE



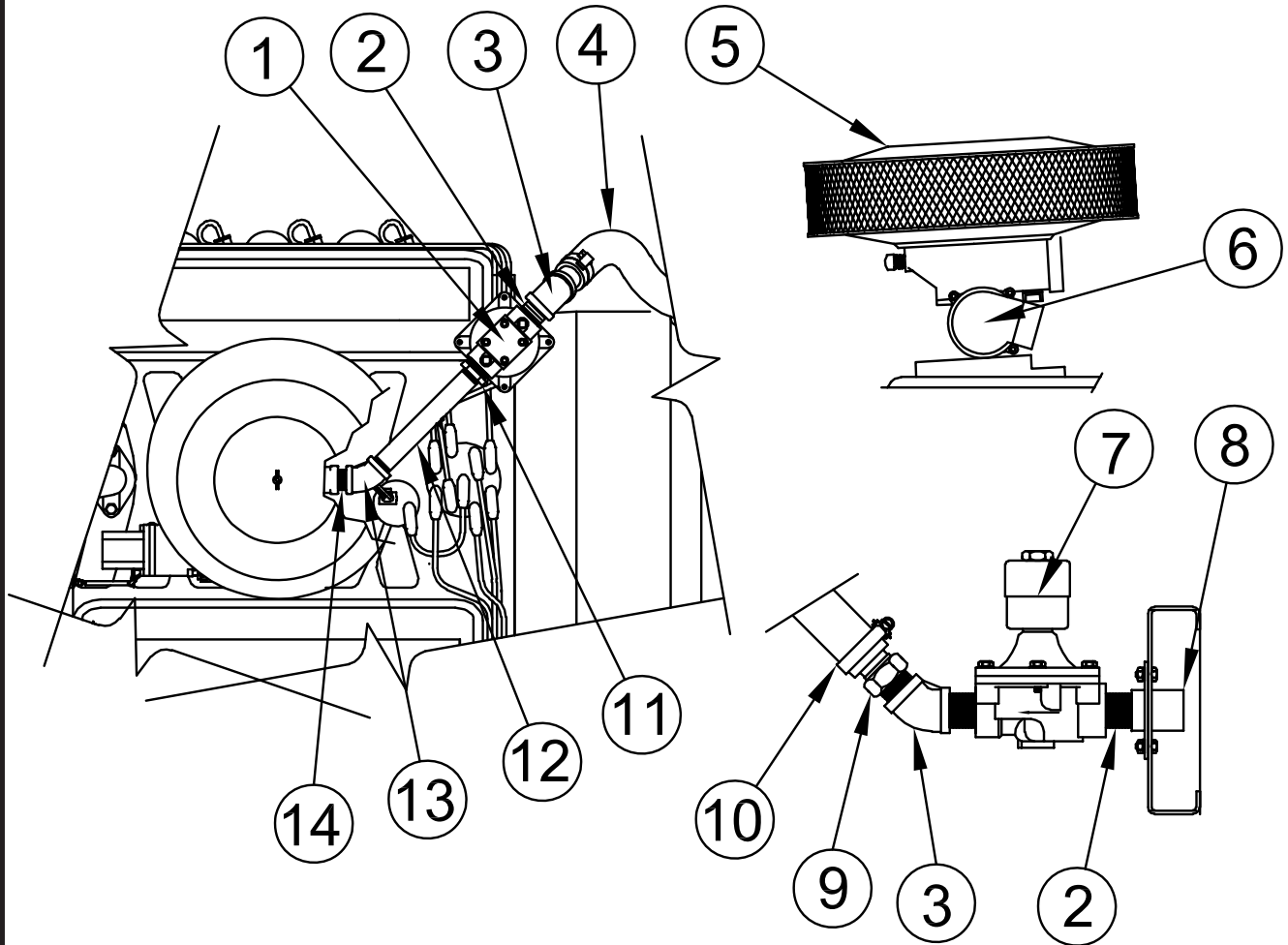
VAPOR FUEL SYSTEM ASSEMBLY PSS50LS/A



REF #	PART NUMBER	QTY	DESCRIPTION
1	F1-9	1*	Air Cleaner
2	22626-000	1	3/4" X 1-3/8" Pipe Nipple
3	56896-000	1	3/4" 45° Elbow
4	54074-007	1	3/4" X 8" Pipe Nipple
5	81077-000	1	3/4" to 1" Reducer
6	81017-000	1	Regulator
7	81103-000	4 FT	1-1/4" I.D. Hose
8	81018-001	2	Hose Clamp
9	23996-000	2	1" 45° Elbow
10	81079-000	3	1" X 1-3/8" Pipe Nipple
11	42942-001	1	Solenoid
12	99065-000	1	Fuel Cover Weldment
13	99526-001	1	Governor Actuator
14	SEE TABLE	1	Carburetor
15	99366-000	1	Intake Manifold Adapter
16	350133-3	1	Actuator Mounting Bracket
17	DYNK 218-2	1**	Clevis
18	AKKH 175	2**	Rod Bearing
19	DYNK 21-16	1**	Threaded Rod
NI	99673-000	1	Governor Control
NI	Not Illustrated		
*	Impco Part #		
**	Barber Colman Part #		

TYPE OF FUEL	PART NUMBER
NATURAL GAS	92260-003
LIQUID PROPANE (L.P.)	92260-002

VAPOR FUEL SYSTEM ASSEMBLY PSS50LS/B



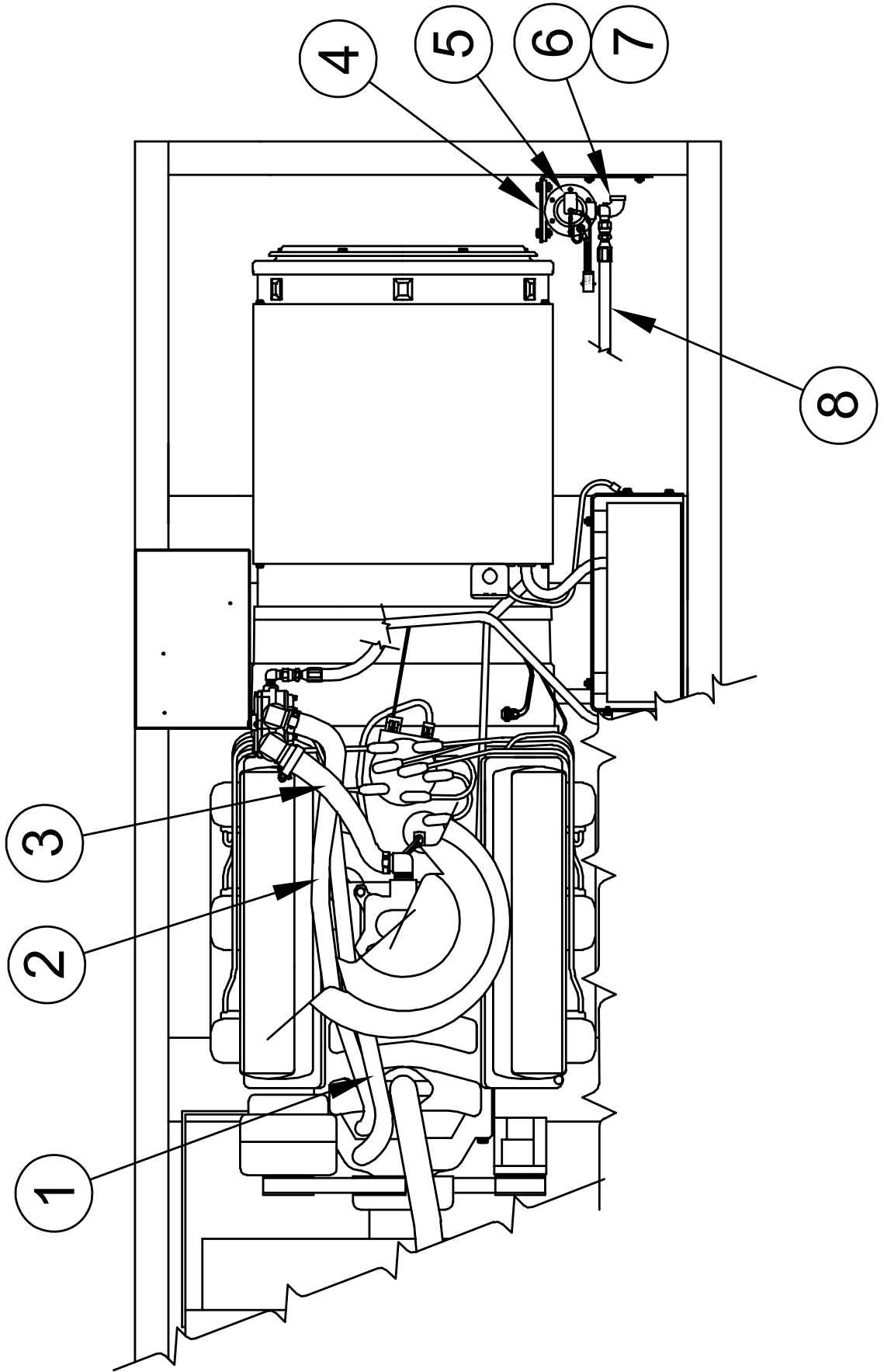
REF #	PART NUMBER	QTY	DESCRIPTION
1	81017-000	1	Regulator
2	81079-000	3	1" Pipe Nipple
3	23996-000	2	1" X 45° Pipe Elbow
4	81103-000	4 FT	1-1/4" I.D. Hose
5	F1-9	1*	Air Filter
6	38900362	1**	"L" Series Governor
7	42942-001	1	Solenoid
8	99065-000	1	Fuel Inlet Weldment
9	92388-006	2	Hose Fitting
10	81018-001	2	Hose Clamp
11	81077-000	1	3/4" to 1" Reducer
12	54074-007	1	3/4" X 8" Pipe Nipple
13	56896-000	1	3/4" X 45° Pipe Elbow
14	22626-000	1	3/4" Pipe Nipple

* Impco Part #

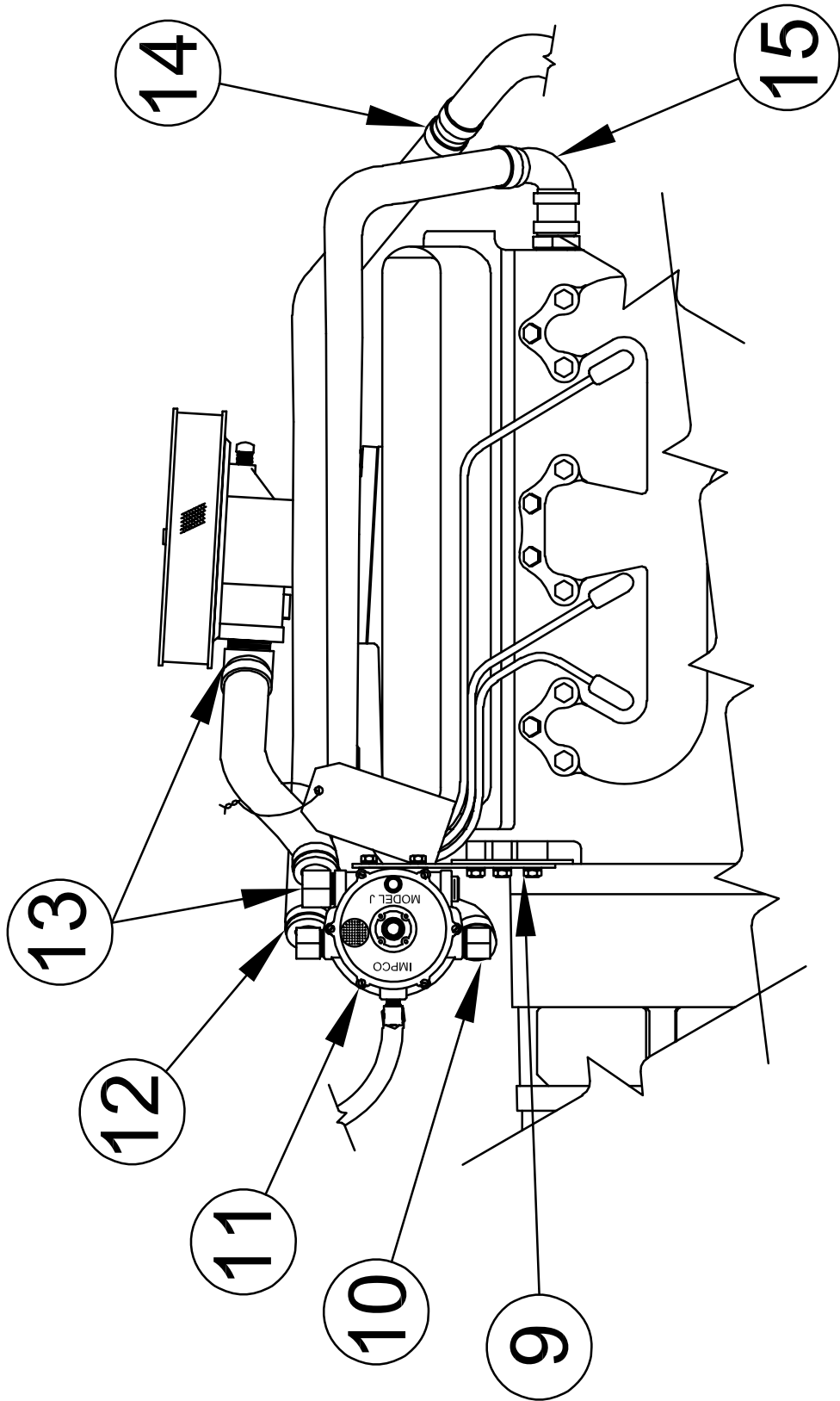
** PSI Part Number

PSI (Power Solutions Inc.) Phone: (630)-350-9400

LP LIQUID WITHDRAWAL ASSEMBLY

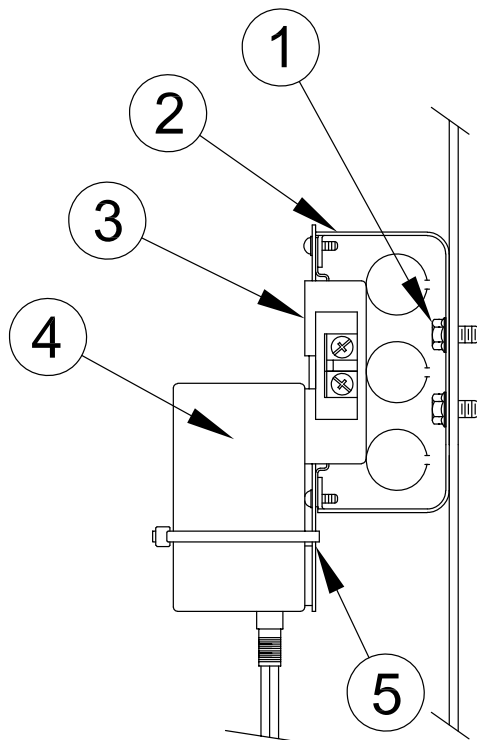


LP LIQUID WITHDRAWAL ASSEMBLY



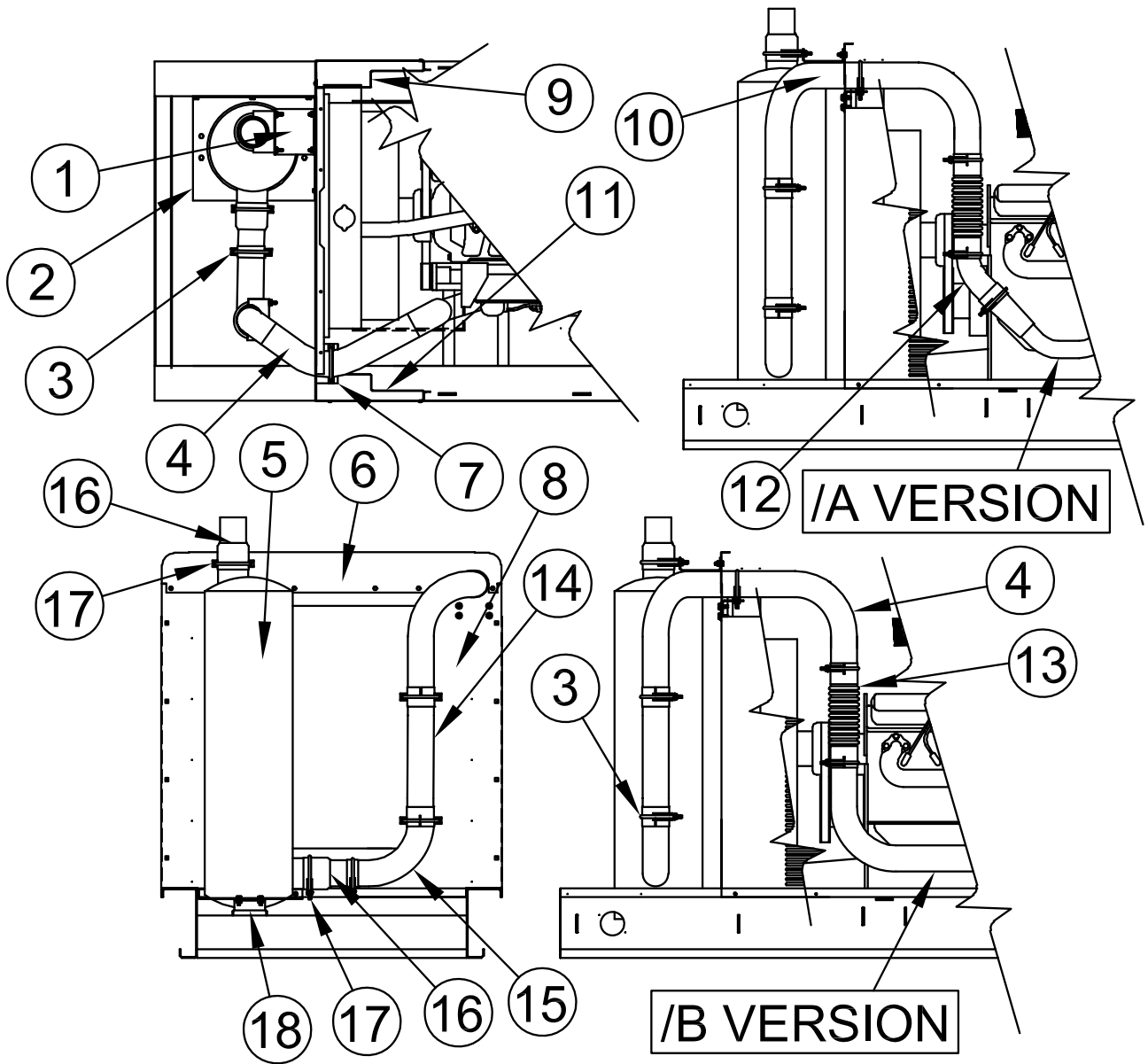
REF #	PART NUMBER	QTY	DESCRIPTION
1	93689-001	23"	5/8" Hose
2	93689-001	23"	5/8" Hose
3	93689-001	11"	5/8" Hose
4	99085-001	1	Fuel Cover Plate
5	99475-000	1	Solenoid
6	92533-000	1	1/4" 90° Elbow
7	81375-003	1	1/4" X 1 1/2" Pipe Nipple
8	92940-007	1	Hose Assembly
9	350217	1	Converter Mounting Bracket
10	92382-000	2	3/8" X 5/8" 90° Elbow
11	81636-000	1	Converter-Regulator
12	81018-005	8	Hose Clamp
13	92382-001	2	1/2" X 5/8" 90° Elbow
14	62274-001	1	5/8" Hose Coupler
15	62274-002	1	5/8" 90° Hose Coupler

BATTERY TENDER ASSEMBLY



REF #	PART NUMBER	QTY	DESCRIPTION
1	52644-000	2	Self-tapping Screw
2	92789-000	1	Conduit Box
3	24749-000	1	Duplex Receptacle
4	16287-000	1	Battery Tender
5	59026-001	1	Recpt. Cover Plate

EXHAUST ASSEMBLY



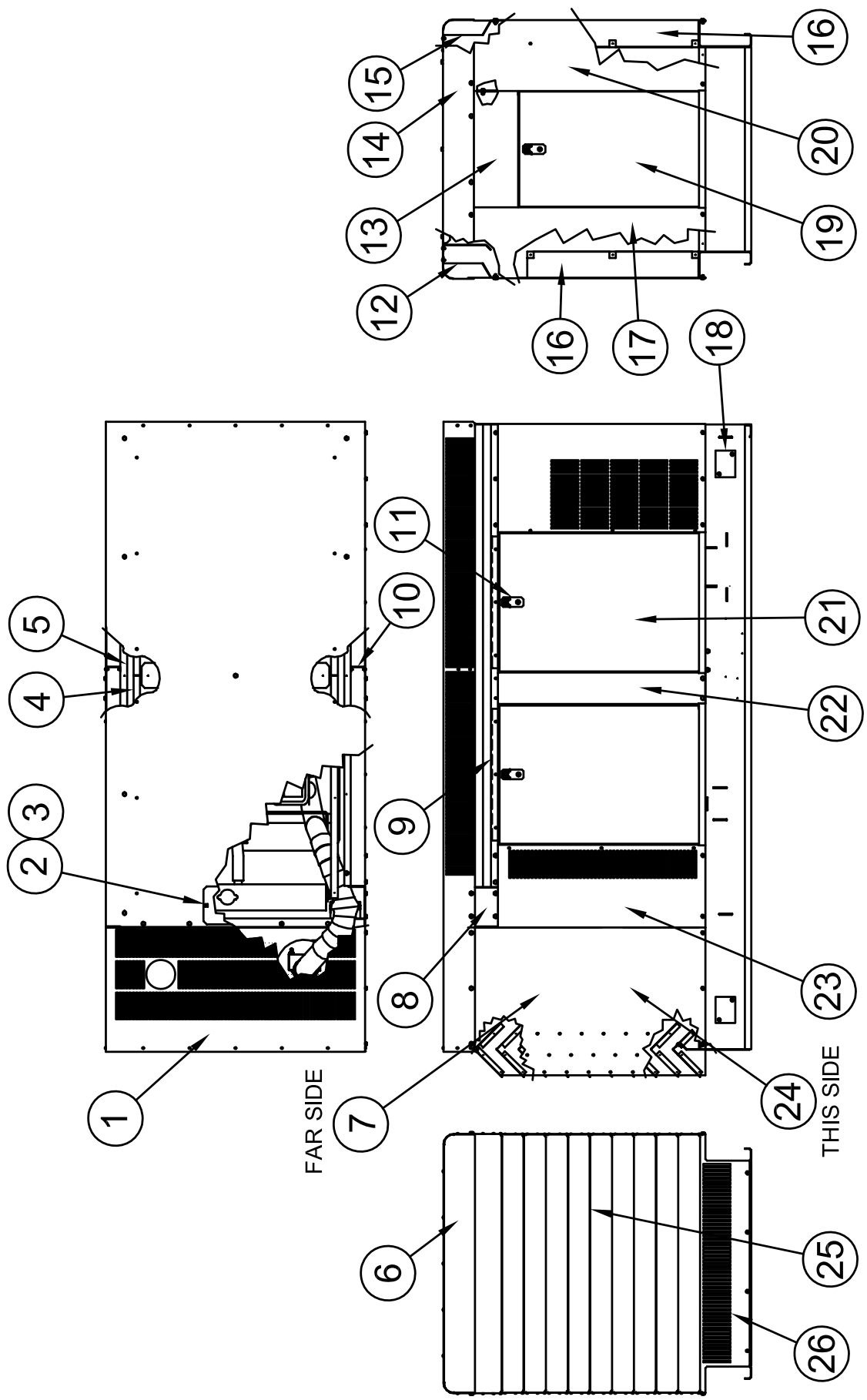
REF #	PART NUMBER	QTY	DESCRIPTION
1	99336-001	1	Top Muffler Support
2	99336-002	1	Muffler Support Tray
3	93489-001	6*	3" Muffler Clamp
4	99677-000	1	Formed Exhaust Pipe
5	97409-002	1	Muffler
6	99334-002	1	Top Housing Front
7	99335-003	1	Muffler Support
8	99324-002	1	Housing Front
9	99378-003	1	Front Housing Baffle
10	99518-000	20 FT**	High Temperature Silica Tape
11	99378-000	1	Front Housing Baffle
12	99502-004	1	3" Dia. 45° Elbow
13	16016-004	1***	Flex Exhaust
14	99677-001	1	3" Pipe Coupling
15	99502-003	1	3" 90° Elbow
16	97759-007	2	3.5" to 3" Reducer
17	93489-000	2	3.5" Muffler Clamp
18	99337-002	1	Muffler Support Bracket

* Quantity 7 on the /A version.

** Part # 97274-000 used on the /B version.

*** Part # 16016-002 used on the /B version.

HOUSING ASSEMBLY

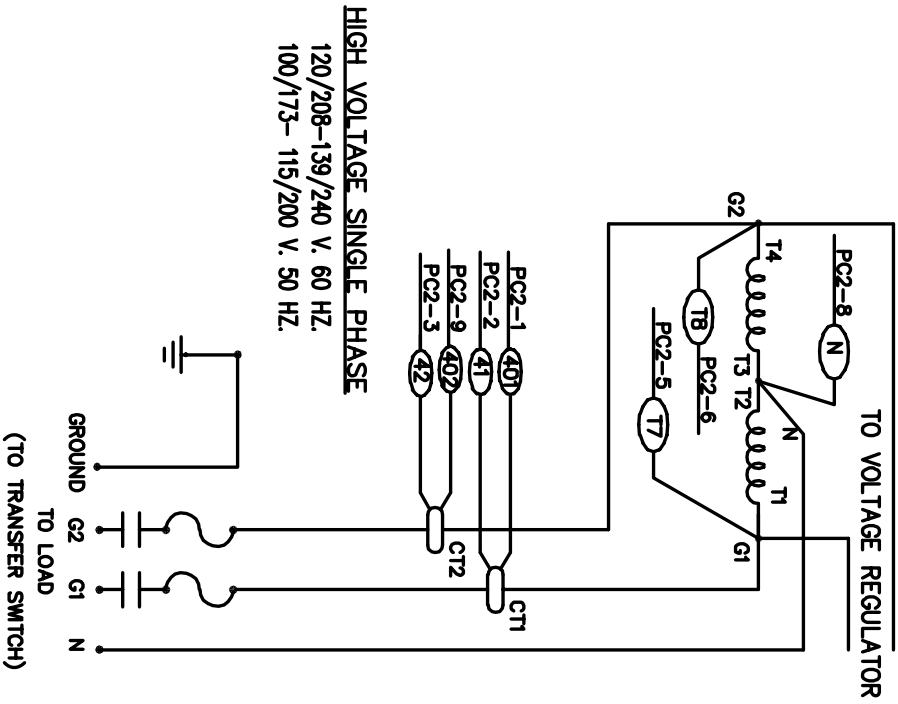


REF #	PART NUMBER	QTY	DESCRIPTION
1	99341-001	1	Roof
2	62912-000	33 FT	Neoprene Strip
3	62026-003	1	Radiator Cap Cover Plate
4	99327-004	1	Side Sill Baffle
5	99327-001	2	Side Sill Baffle
6	99368-001	1	Roof End Panel
7	99329-004	1	Right Extension Panel
8	99325-005	1	Side Sill Extension
9	99333-001	4	Door Jam
10	99339-000	2	Roof Brace
11	95229-004	5	Door Latch
12	99325-004	1	Left Side Sill
13	99326-001	1	Top Rear Sill
14	99368-000	1	Roof End Panel
15	99325-002	1	Right Side Sill
16	99320-001	2	Corner Post Baffle
17	99319-002	1	Left Rear Corner Post
18	99060-000	1	Cover Plate
19	15680-009	1	Rear Door
20	99319-003	1	Right Rear Corner Post
21	15680-015	4	Side Door
22	99323-001	2	Mullion
23	99324-002	1	Housing Front
24	99329-005	1	Left Extension Panel
25	99631-001	8	Louver
26	99331-001	1	Front Extension Panel

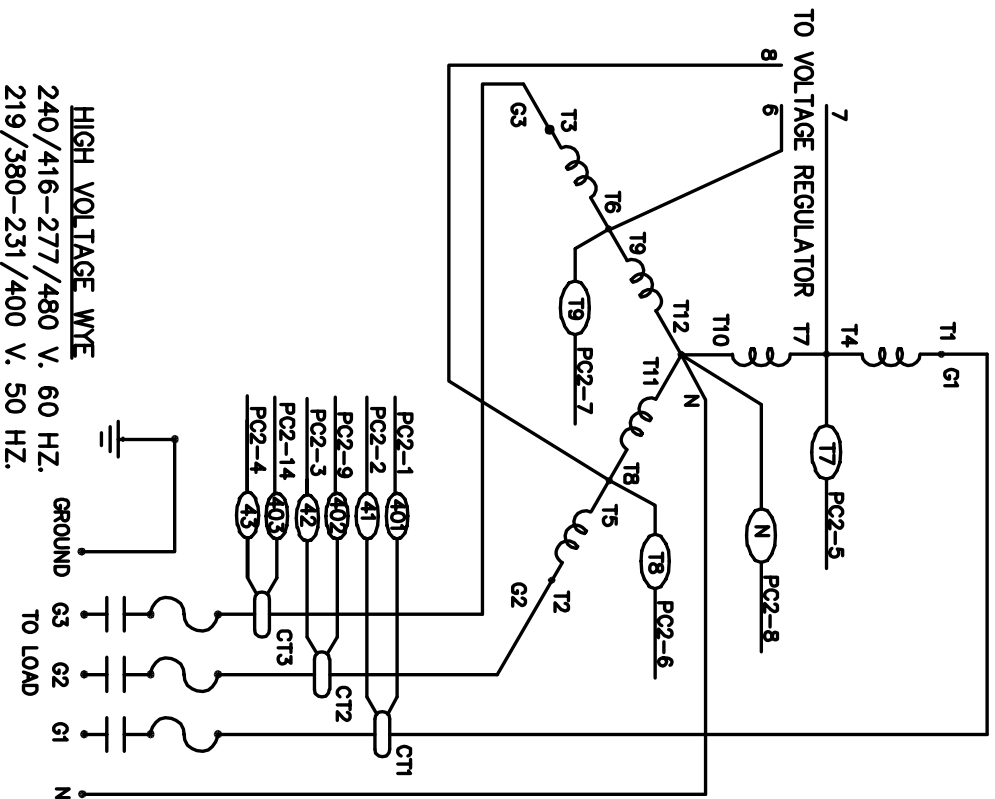
DECALS

REF #	PART NUMBER	QTY	DESCRIPTION
NI	15750-001	1	Ground Decal
NI	97813-000	3	Auto Start Warning
NI	15209-000	1	Warning Decal
NI	56596-000	1	Fuel Decal
NI	56597-000	1	Fuel Decal
NI	63941-001	1	Hot Surface Decal
NI	64891-001	1	Electrical Code Decal
NI	63941-003	1	Battery Warning Decal
NI	Not Illustrated		

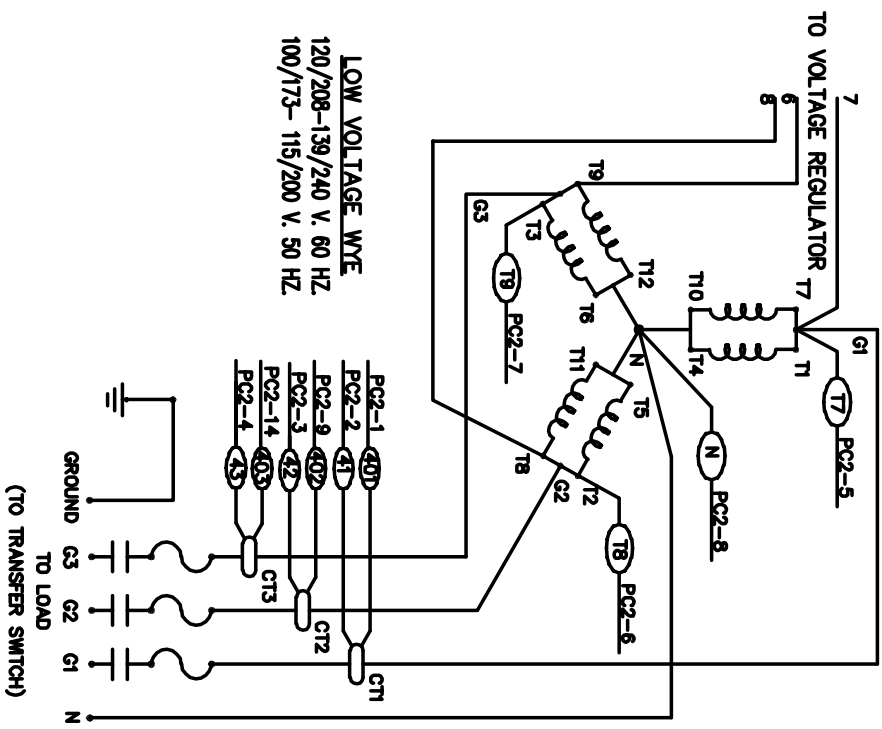
PSS50LS-3/B



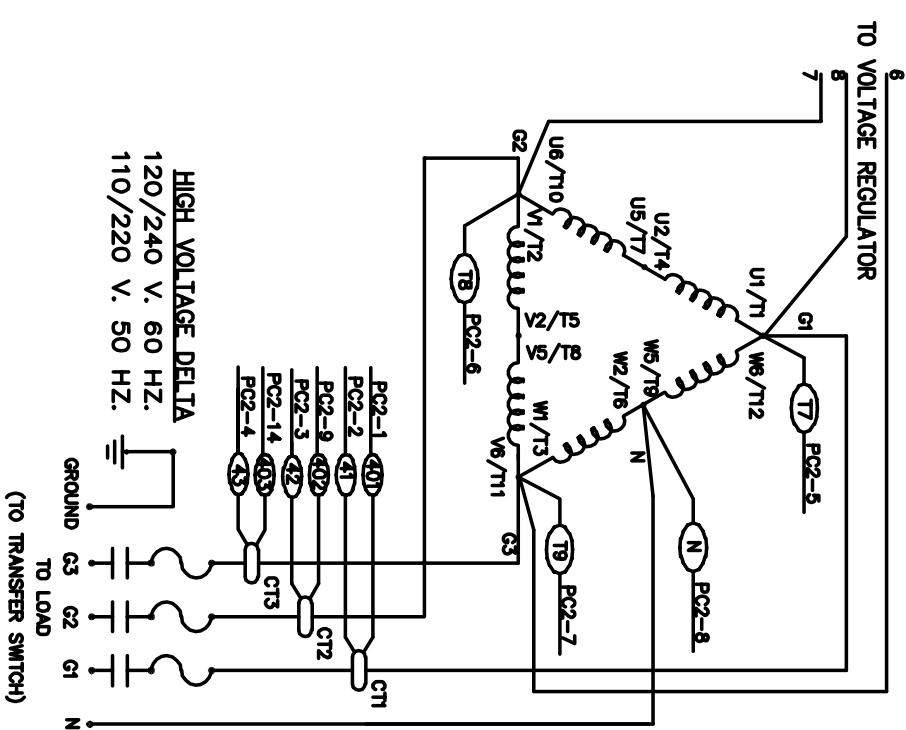
PSS50LS-18/B



PSS50LS-4/B

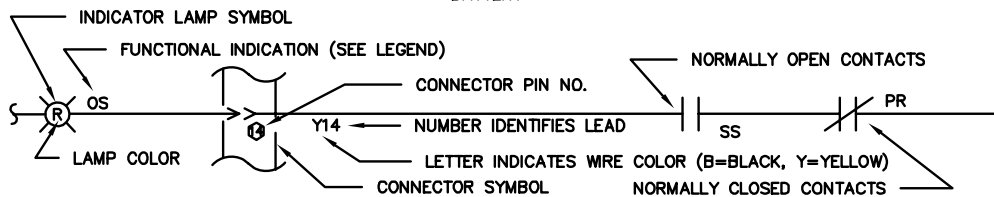
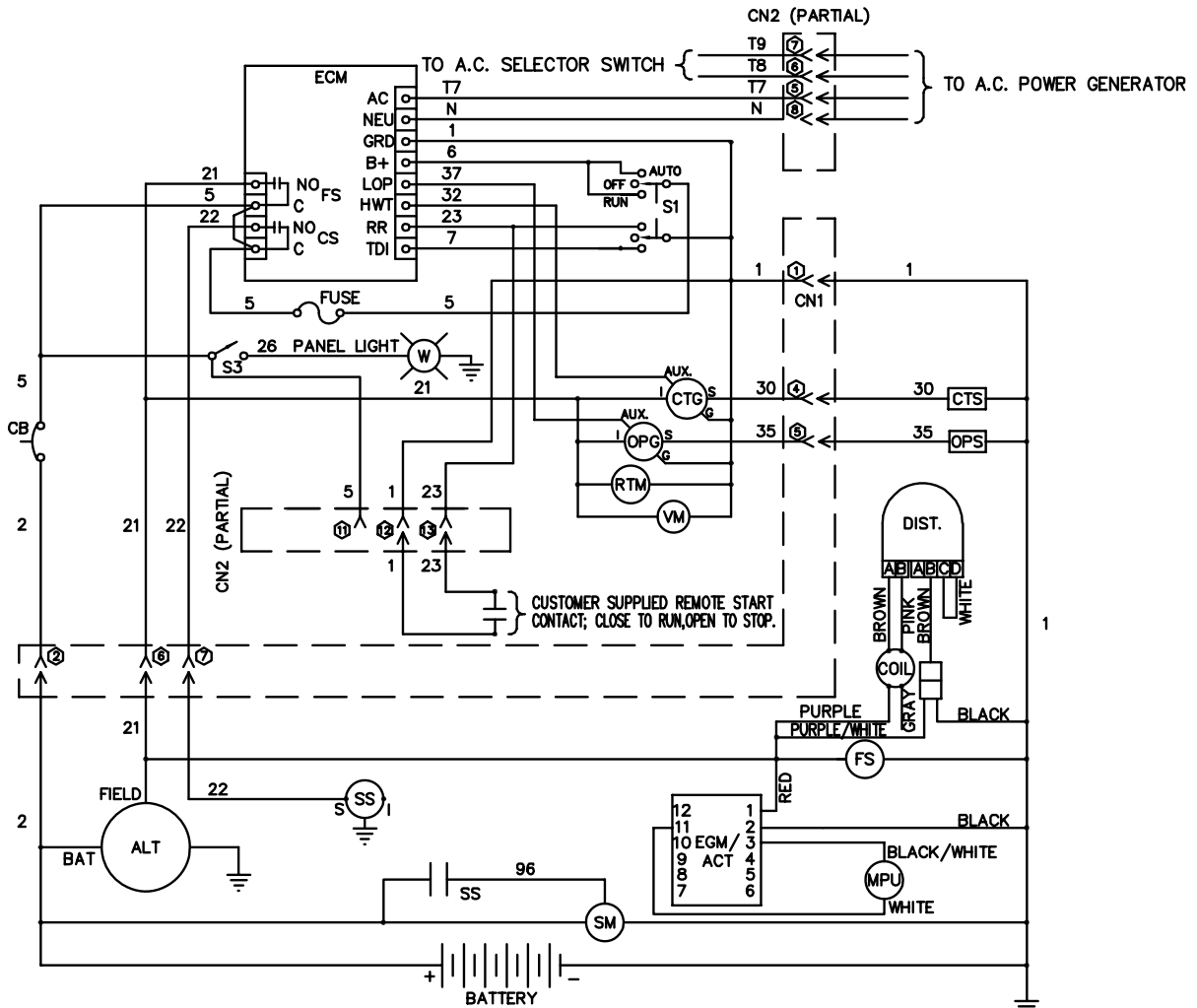


PSS50LS-17/B



"LCS" SERIES GOVERNOR (ORIGINAL DESIGN)

DC WIRING SCHEMATIC

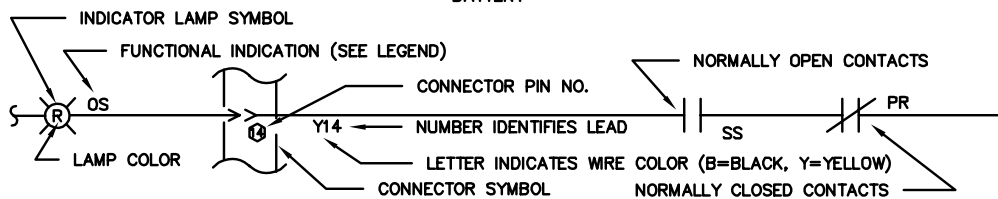
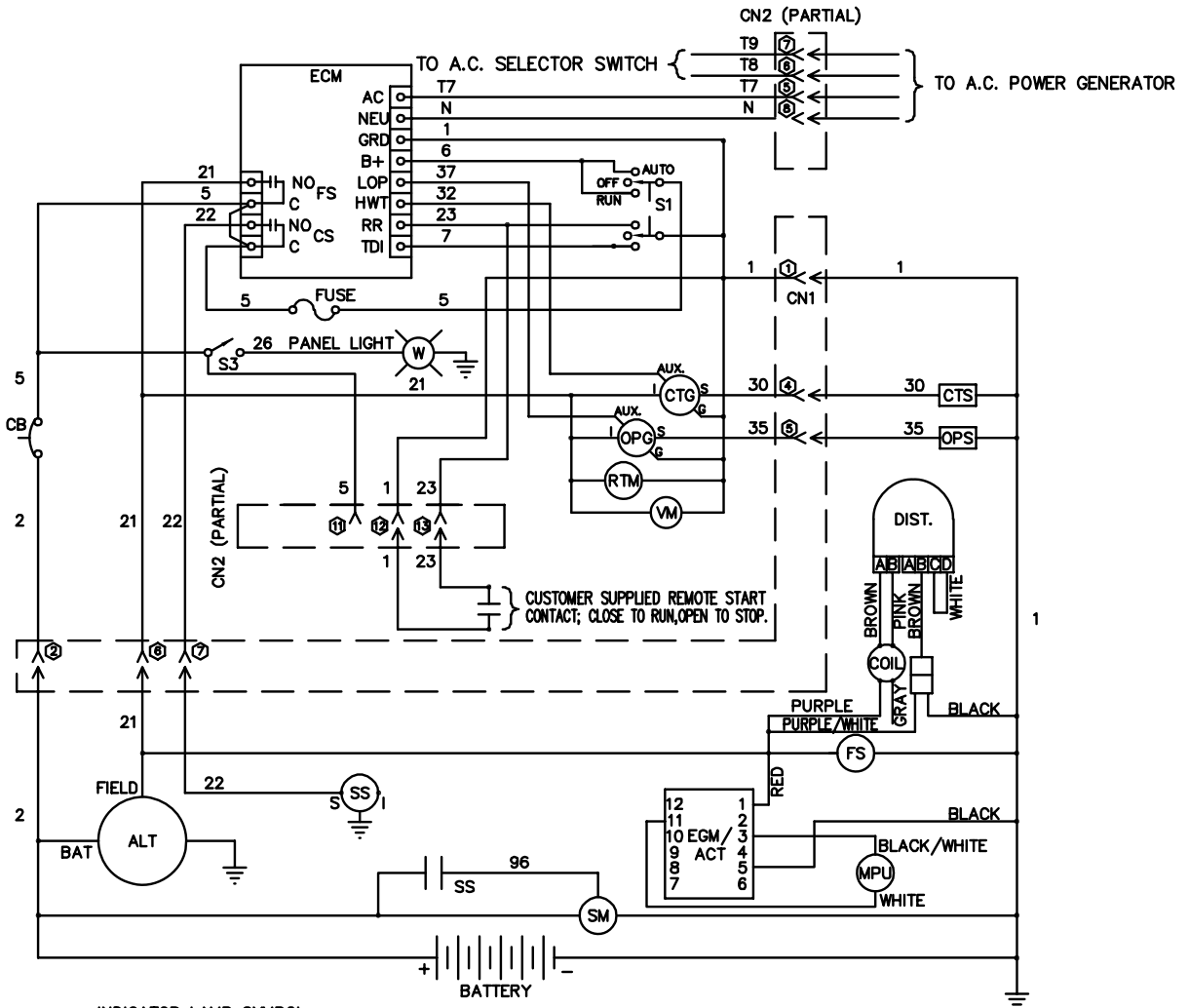


LEGEND

ALT	ALTERNATOR	OPG	OIL PRESSURE GAUGE
ACT	BATTERY CHARGER	OPS	OIL PRESSURE SENDER
BC	CIRCUIT BREAKER	OS	OVERSPEED INDICATOR LAMP
CB	CIRCUIT BREAKER	PR	PROTECTIVE RELAY, STARTER
CN1,CN2	WIRING HARNESS CONNECTORS	RTM	RUNNING TIME METER
CTG	COOLANT TEMPERATURE GAUGE	S1	ENGINE START MODE SWITCH
CTS	COOLANT TEMPERATURE SENDER	S3	PANEL ILLUMINATION LIGHT SWITCH
ECM	ENGINE CONTROL MODULE	S4	ENGINE SHUTDOWN INDICATOR LAMP
EGM/ACT	ELECTRONIC GOVERNOR MODULE / ACTUATOR	SS	ENGINE STARTER MOTOR SOLENOID
FS	FUEL SOLENOID	SM	ENGINE STARTER MOTOR
GND	GROUND (CHASSIS OR FRAME)	VM	D.C. VOLTMETER
MPU	MAGNETIC PICKUP UNIT		

“L” SERIES GOVERNOR (WITH NEW GOVERNOR REPLACEMENT)

DC WIRING SCHEMATIC



LEGEND

ALT	ALTERNATOR	OPG	OIL PRESSURE GAUGE
ACT	ACTUATOR	OPS	OIL PRESSURE SENDER
BC	BATTERY CHARGER	OS	OVERSPEED INDICATOR LAMP
CB	CIRCUIT BREAKER	PR	PROTECTIVE RELAY, STARTER
CN1,CN2	WIRING HARNESS CONNECTORS	RTM	RUNNING TIME METER
CTG	COOLANT TEMPERATURE GAUGE	S1	ENGINE START MODE SWITCH
CTS	COOLANT TEMPERATURE SENDER	S3	PANEL ILLUMINATION LIGHT SWITCH
ECM	ENGINE CONTROL MODULE	S4	ENGINE SHUTDOWN INDICATOR LAMP
EGM/ACT	ELECTRONIC GOVERNOR MODULE / ACTUATOR	SS	ENGINE STARTER MOTOR SOLENOID
FS	FUEL SOLENOID	SM	ENGINE STARTER MOTOR
GND	GROUND (CHASSIS OR FRAME)	VM	D.C. VOLTMETER
MPU	MAGNETIC PICKUP UNIT		