



# ILLUSTRATED PARTS LIST

**PSS27LS/C**

**PSS27LS/C**

**PSS27LS/C**

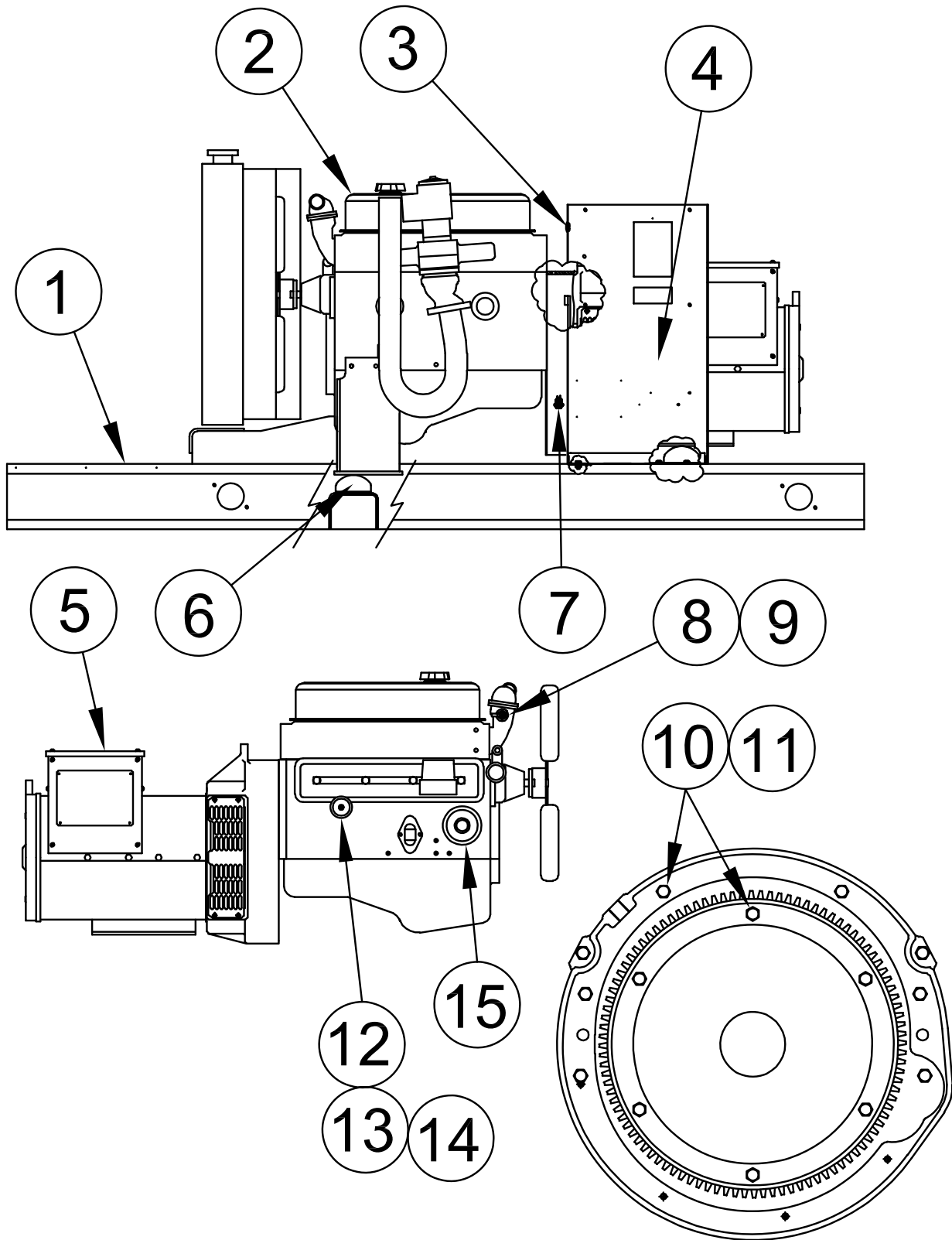
**PSS27LS/C**

**2003-2007**



225 S. CORDOVA AVE.  
LECENTER, MN 56057  
507-357-6821  
SERVICE DEPT.  
507-357-6831

# GENERATOR ASSEMBLY

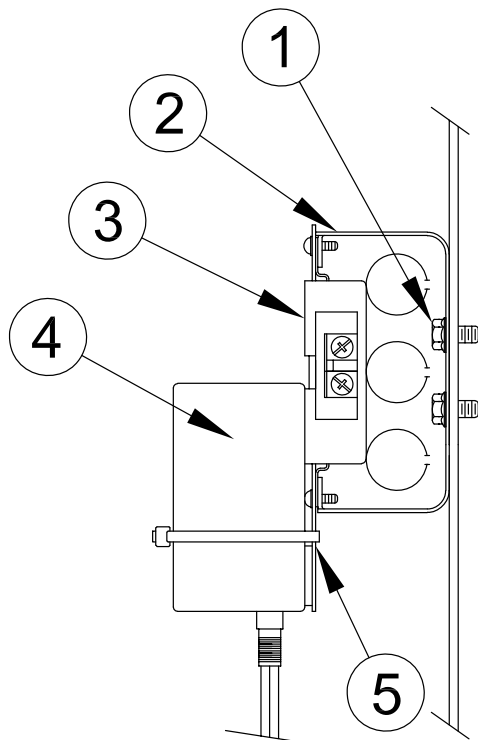


REF #	PART NUMBER	QTY	DESCRIPTION
1	99381-008	1	Base Assembly
2	SEE TABLE	1	Engine GM 3.0 Liter
3	44058-014	1	Button Plug
4	99057-008	1	Control Box Pedestal
5	SEE TABLE	1	Generator
6	98956-001	4	Shock Mount
7	350101-1	1	Magnetic Pick-up
8	99265-001	1	Temperature Sender
9	56372-000	1	1/2" M X 3/8" F Reducer
10	481-001	12	3/8" Lock Washer
11	96000-004	12	3/8"-16 X 1 1/2" Bolt Torque to 25-30 Ft. Lbs.
12	99267-001	1	Oil Pressure Sender
13	22455-000	1	1/8" Coupling
14	92386-001	1	1/8" Pipe Nipple
15	PF-25	1*	Oil Filter
NI	99317-001	1	Battery Tray
NI	R46TS	4*	Spark Plug
NI	Not Illustrated		
*	AD Delco Part #		

MODEL #	PART #	DESCRIPTION
PSS27LS-3/CNG PSS27LS-4/CNG PSS27LS-17/CNG PSS27LS-18/CNG	350775-1	GM Engine 3.0 Liter Non SAE with Electronic Governor
PSS27LS-3/CLP PSS27LS-4/CLP PSS27LS-17/CLP PSS27LS-18/CLP	350775-2	GM Engine 3.0 Liter Non SAE with Electronic Governor
PSS27LS-3/CLPG PSS27LS-4/CLPG PSS27LS-17/CLPG PSS27LS-18/CLPG	350775-3	GM Engine 3.0 Liter Non SAE with Electronic Governor

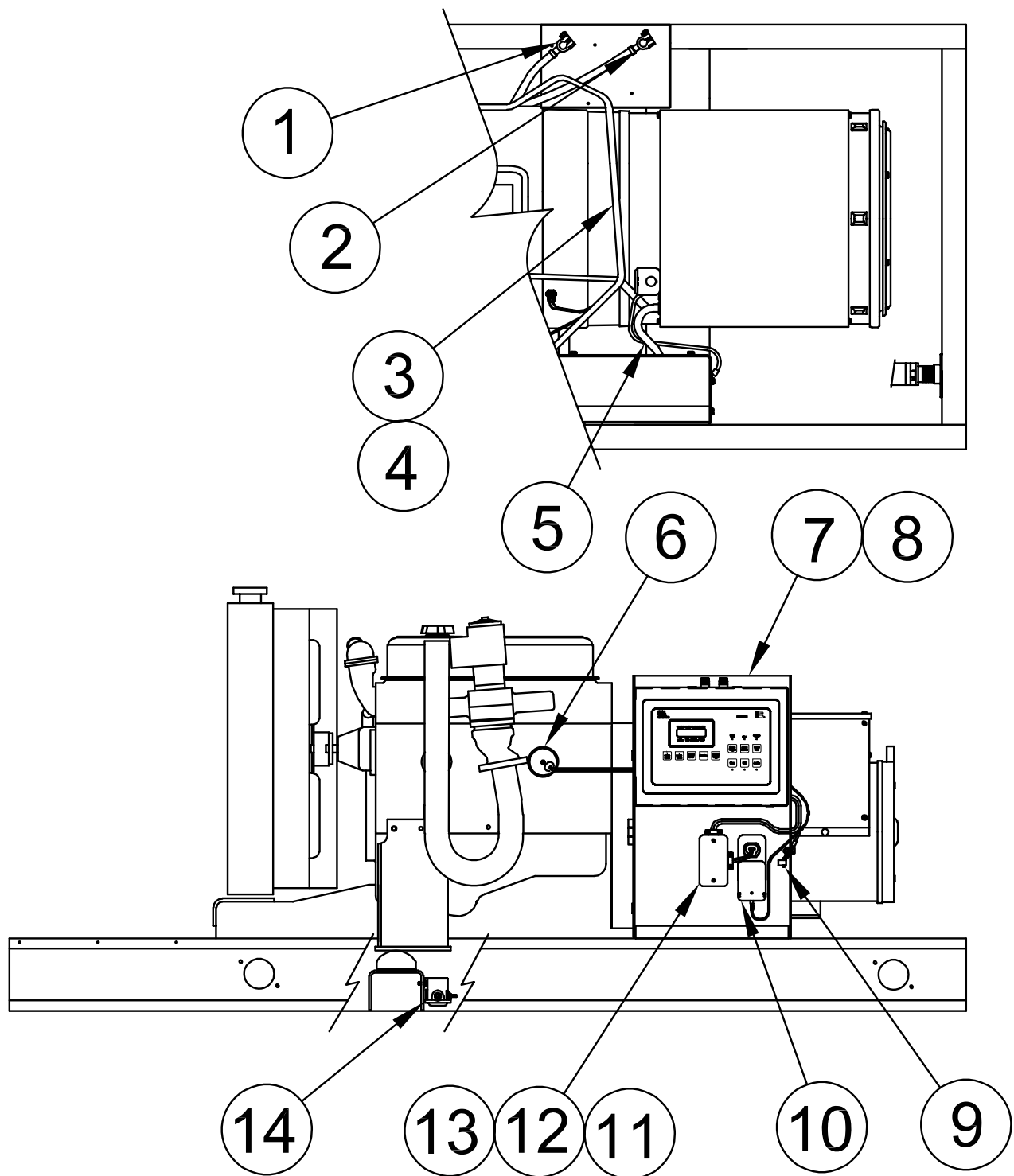
MODEL #	STAMFORD NEWAGE MODEL #	WINCO PART #
PSS27LS-3/CNG PSS27LS-3/CLP PSS27LS-3/CLPG	BCI184F 4-LEAD	350638-21
PSS27LS-4/CNG PSS27LS-4/CLP PSS27LS-4/CLPG PSS27LS-17/CNG PSS27LS-17/CLP PSS27LS-17/CLPG PSS27LS-18/CNG PSS27LS-18/CLP PSS27LS-18/CLPG	BCI184F 12-LEAD	350638-2

## BATTERY TENDER ASSEMBLY



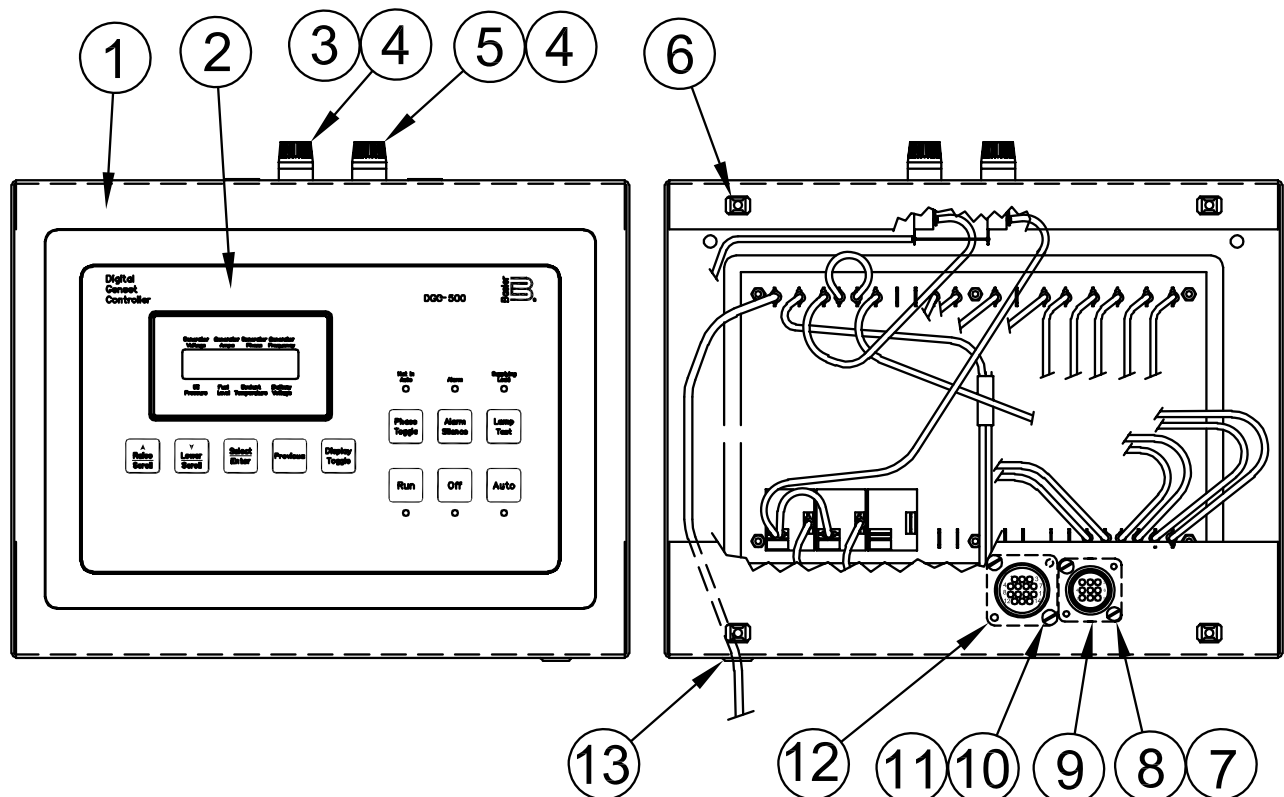
REF #	PART NUMBER	QTY	DESCRIPTION
1	52644-000	2	Self-tapping Screw
2	92789-000	1	Conduit Box
3	24749-000	1	Duplex Receptacle
4	16287-000	1	Battery Tender
5	59026-001	1	Recpt. Cover Plate

# ELECTRICAL ASSEMBLY



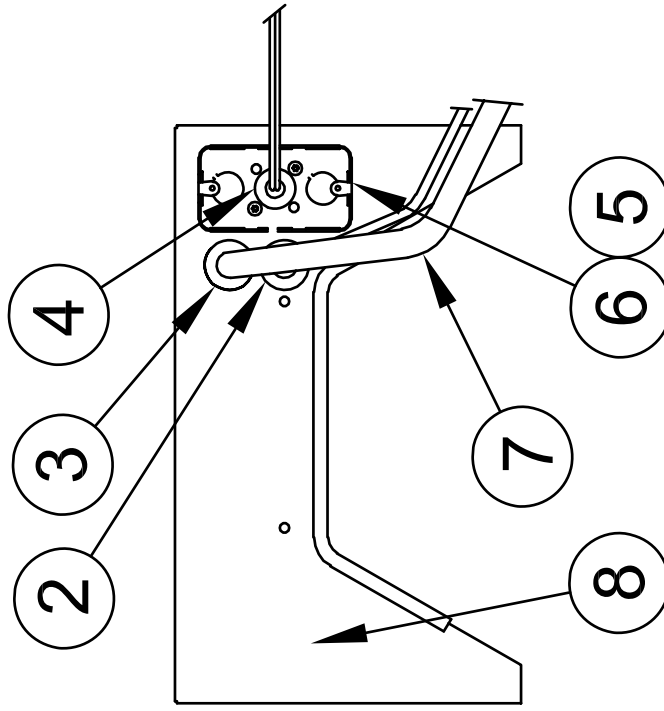
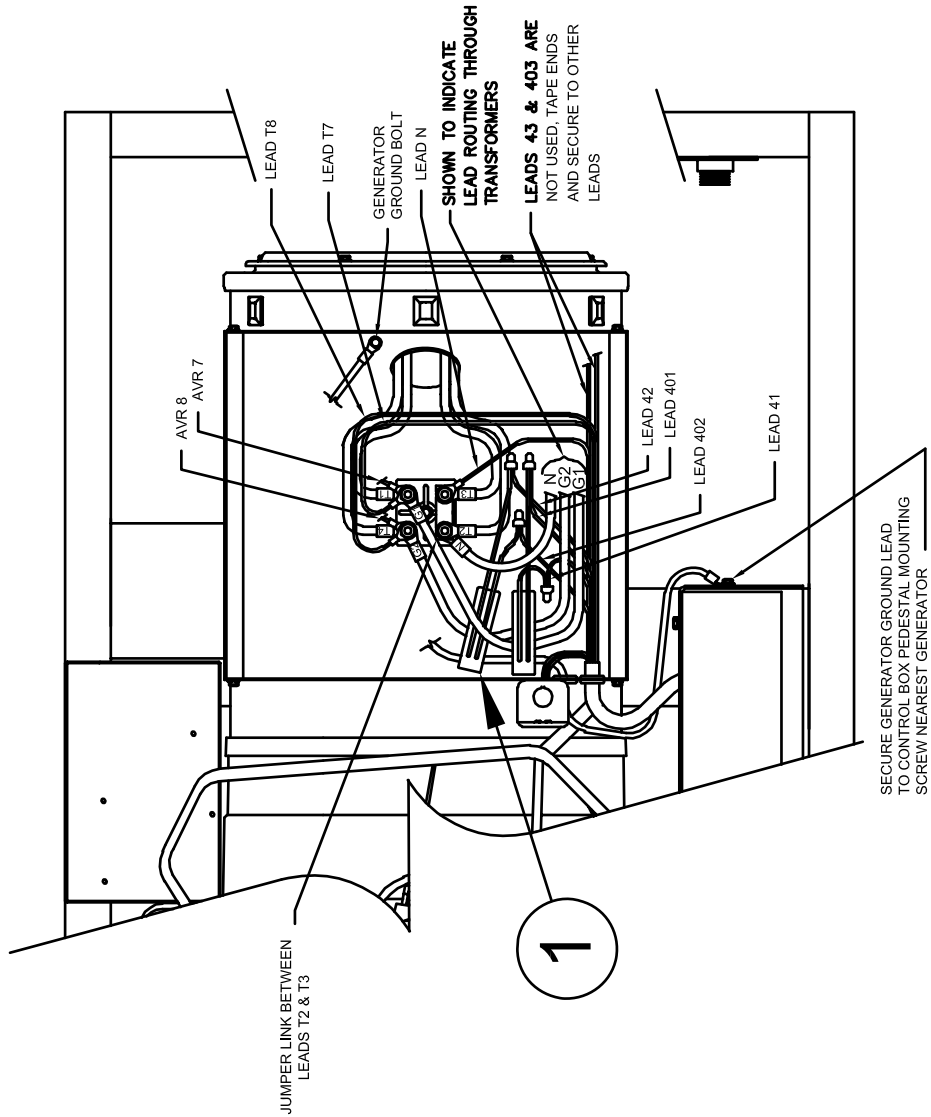
REF #	PART NUMBER	QTY	DESCRIPTION
1	53220-056	1	Positive (+) Battery Cable
2	53220-057	1	Negative (-) Battery Cable
3	99723-002	1	ECM Harness Assy.
4	99724-002	Ref.	ECM Harness Installation
5	Reference	1	AC Harness Installation
6	82505-004	1	Block Heater
7	99777-000	1	Control Box Assembly
8	99055-004	1	Access Plate
9	48042-000	1	Ground Lug
10	99691-006	1	Battery Tender Assembly
11	15816-000	1*	Temperature Sensor
12	92789-000	1	Conduit Box
13	15812-000	1	Conduit Box Cover
14	80980-000	1	Start Solenoid
*	Located inside Box		

## ENGINE CONTROL ASSEMBLY



REF #	PART NUMBER	QTY	DESCRIPTION
1	99055-003	1	Control Box Panel
2	351147-2	1	Basler DGC-500 Control
3	95064-006	1	10 Amp Fuse
4	2489-001	2	Fuse Holder
5	95064-003	1	1 Amp Fuse
6	92495-000	4	¼-20 Retainer Nut
7	97322-000	2	#4-40 X ½" Screw
8	97327-000	2	#4-40 Elastic Stop-nut
9	96925-005	1	9 Pin Connector
10	24988-000	2	#6-32 X ½" Screw
11	51802-000	2	#6-32 Elastic Stop-nut
12	96925-002	1	14 Pin Connector
13	45853-000	1	Grommet
NI	15983-003	1	1 Amp Fuse Decal
NI	15983-004	1	10 Amp Fuse Decal
NI	Not Illustrated		

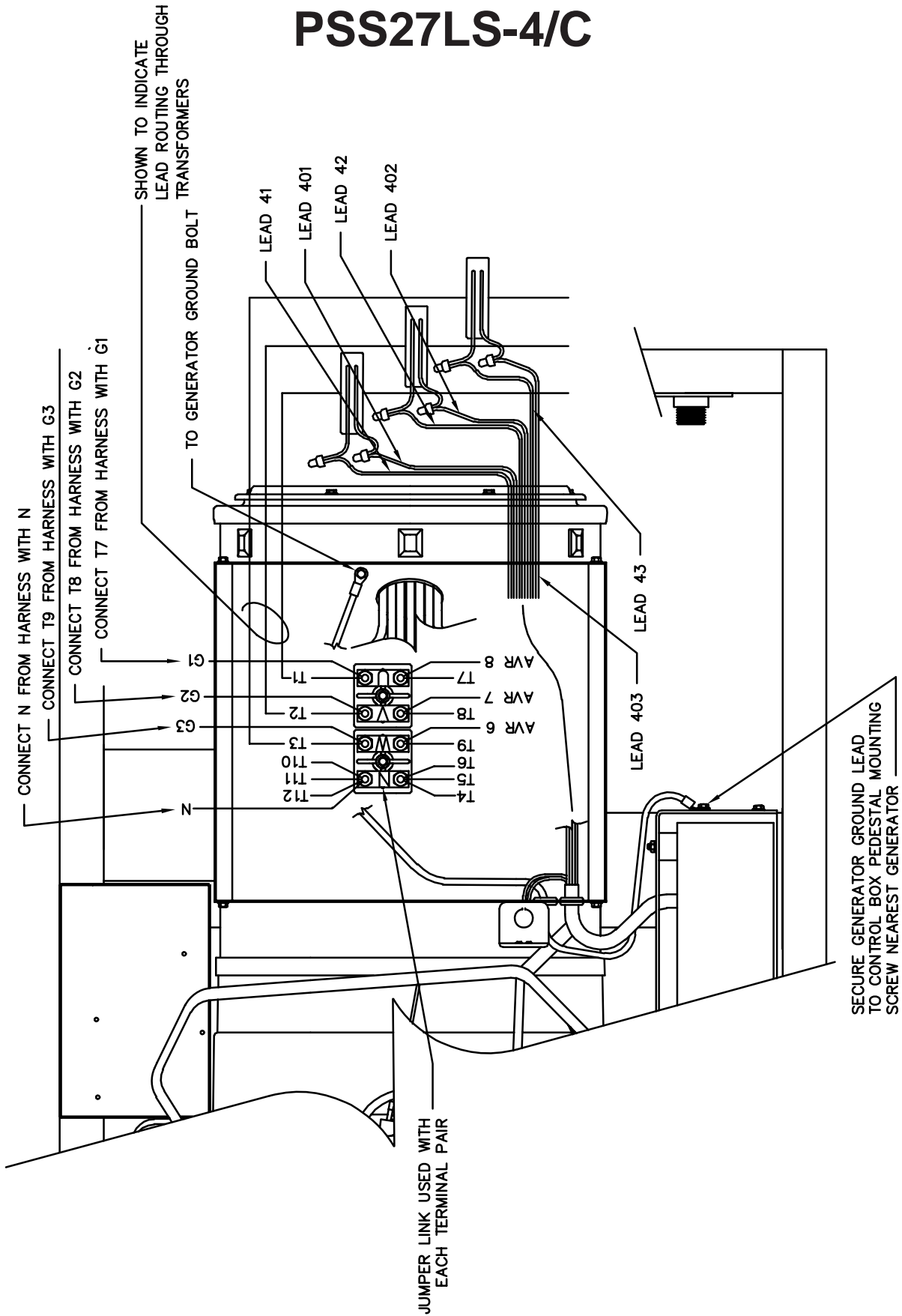
# AC WIRING INSTALLATION PSS27LS-3/C



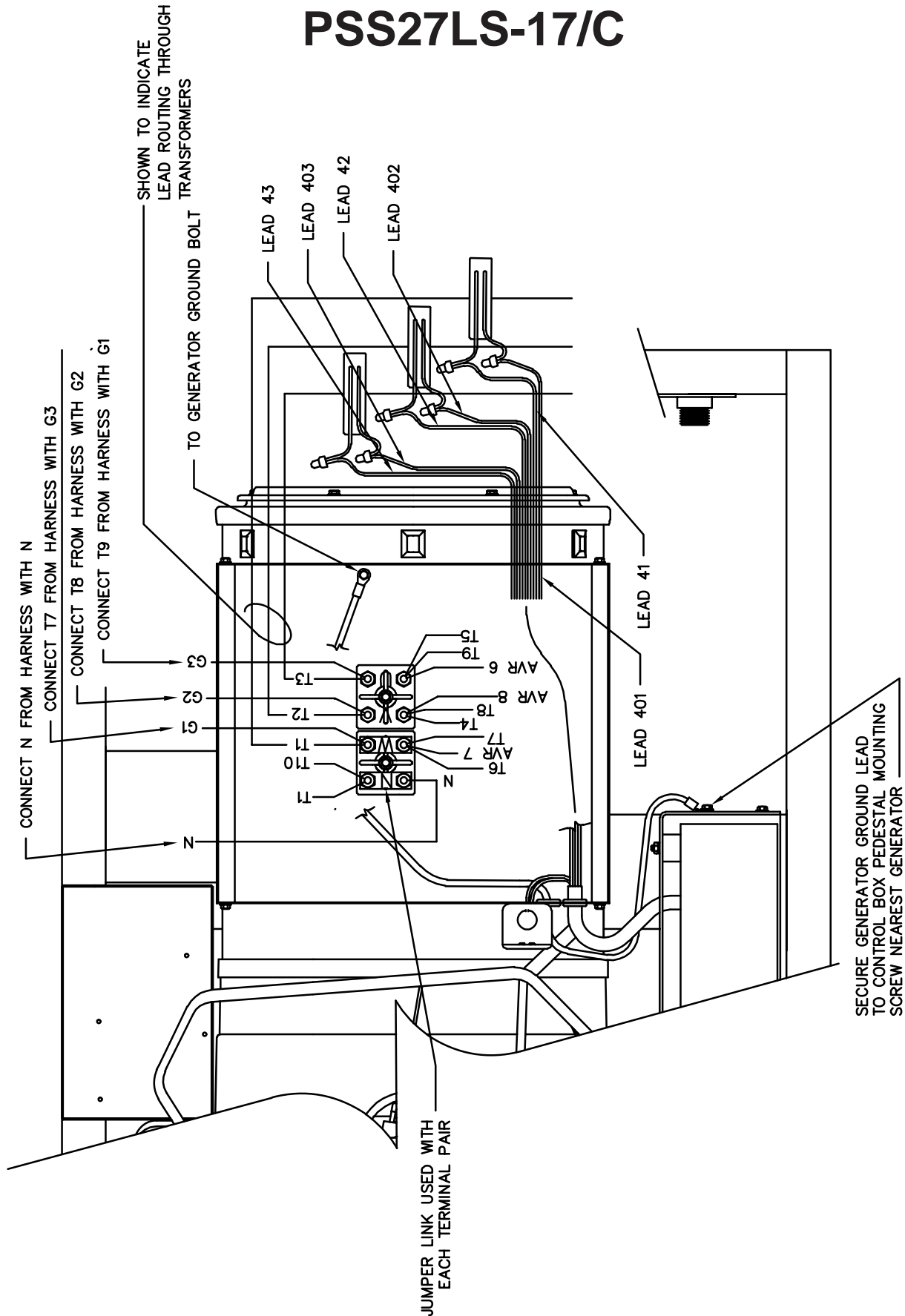
REF #	PART NUMBER	QTY	DESCRIPTION
1	SEE TABLE	2 or 3	Current Transformer
2	23917-000	1	Grommet
3	62486-000	1	Grommet
4	40730-000	1	Grommet
5	92789-000	1	Conduit Box
6	59026-000	1	Conduit Box Cover
7	99347-008	1	AC Harness Assembly
8	99731-001	1	Panel
NI	350818	1	Voltage Regulator SX460
NI	Not Illustrated		

MODEL #	PART #	DESCRIPTION	QUANTITY
PSS27LS-3/C	80124-004	150 to 5 Amp Current Transformer	2
PSS27LS-4/C PSS27LS-17/C	80124-003	100 to 5 Amp Current Transformer	3
PSS27LS-18/C	80124-001	50 to 5 Amp Current Transformer	3

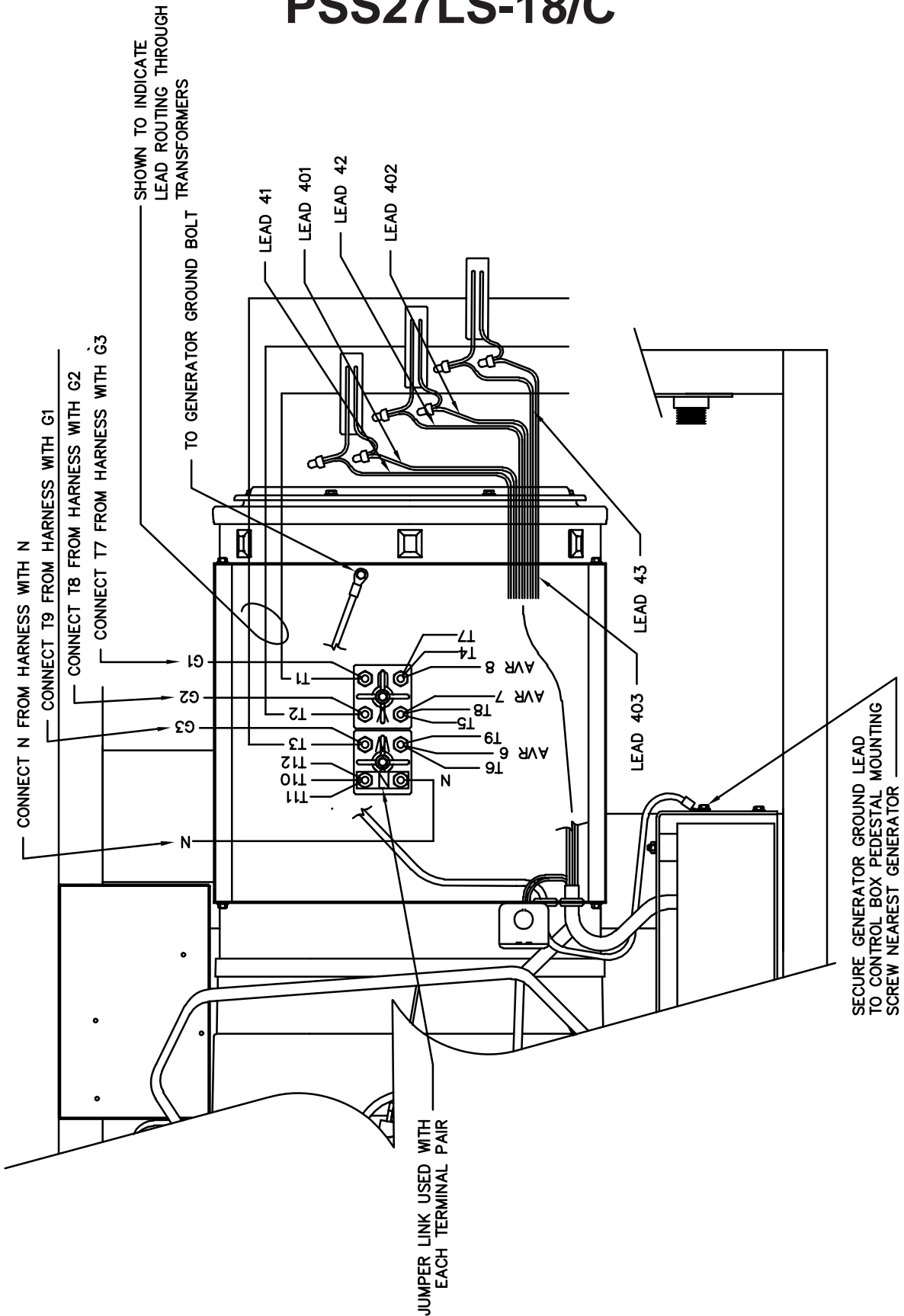
# AC WIRING INSTALLATION PSS27LS-4/C



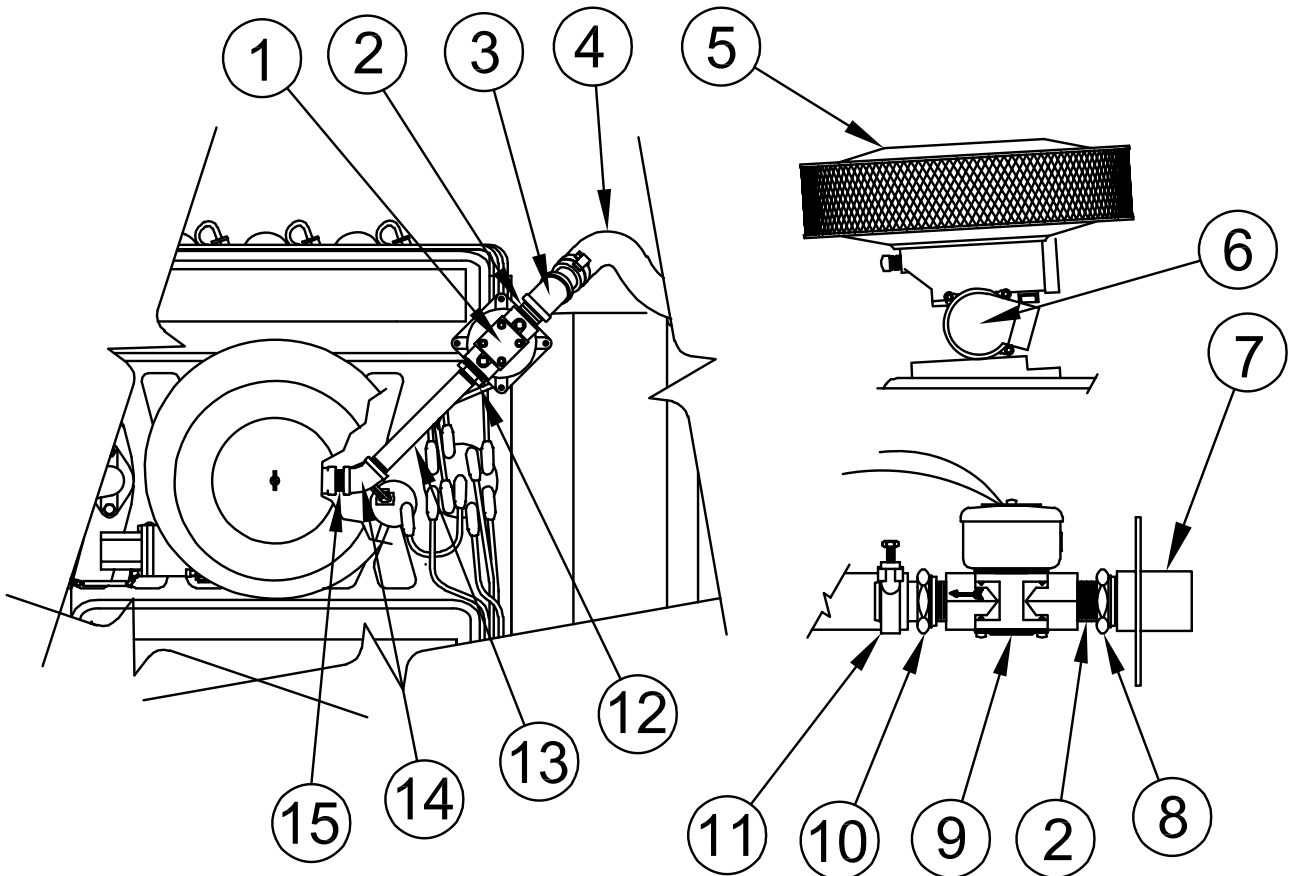
# AC WIRING INSTALLATION PSS27LS-17/C



# AC WIRING INSTALLATION PSS27LS-18/C



# VAPOR FUEL SYSTEM ASSEMBLY



REF #	PART NUMBER	QTY	DESCRIPTION
1	50248-000	1	Regulator
2	22626-000	2	3/4" Pipe Nipple
3	56596-000	1	3/4" 45° Pipe Elbow
4	49409-015	50.5"	Hose
5	F1-8	1*	Air Filter
6	38900362	1**	"L" Series Governor
7	99065-000	1	Fuel Inlet Weldment
8	81077-000	1	1" M X 3/4" F Busing
9	42942-000	1	Solenoid
10	92388-004	2	3/4" X 1" Hose Fitting
11	50245-000	2	Hose Clamp
12	81075-000	1	3/4" X 1/2" Reducer
13	54074-001	1	3/4" X 3 1/2" Pipe Nipple
14	40072-000	1	1/2" 45° Pipe Elbow
15	22768-000	1	1/2" Pipe Nipple

\* Impco Part #

\*\* PSI Part Number

PSI (Power Solutions Inc.) Phone: (630)-350-9400

# LP LIQUID WITHDRAWAL ASSEMBLY

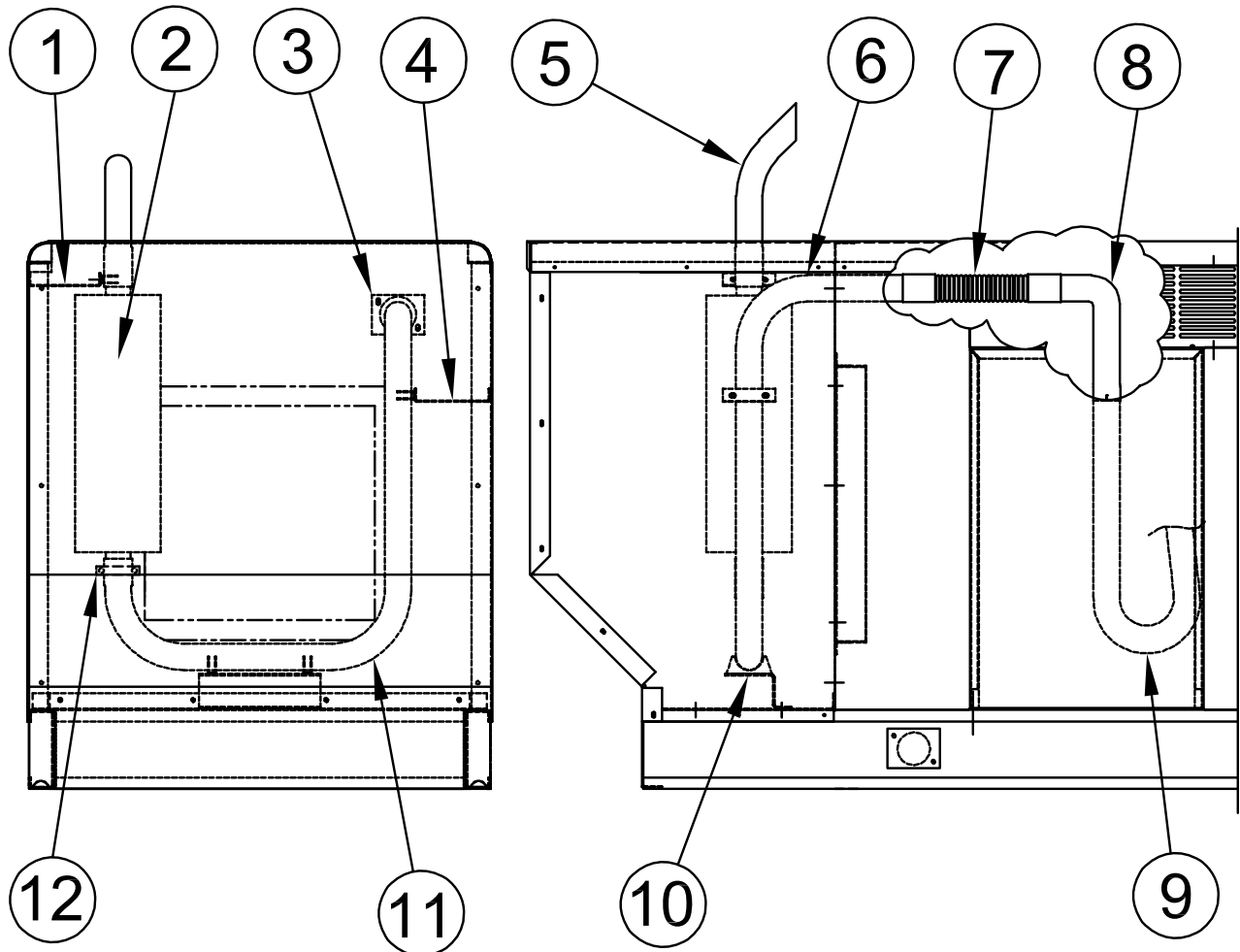


REF #	PART NUMBER	QTY	DESCRIPTION
1	92382-001	3	90° Elbow ½" NPT X 5/8" Hose
2	81018-005	5	Hose Clamp
3	93689-001	19"	5/8" I.D. Hose
4	81636-000	1	Converter-Regulator
5	92382-000	1	90° Elbow 3/8" NPT X 5/8" Hose
6	99364-001	1	Mounting Bracket
7	92940-005	1	Hose Assembly
8	99475-000	1	Solenoid
9	92533-000	1	90° ¼" Pipe Elbow
10	81375-003	1	¼" X 1 ½" Pipe Nipple
11	99085-001	1	Fuel Cover Plate
12	93689-000	35"	¾" I.D. Hose
13	92388-003	1	Hose Fitting
14	93734-000	1	½" X 3/8" Reducing Elbow
15	93689-001	28"	5/8" I.D. Hose

## DECALS

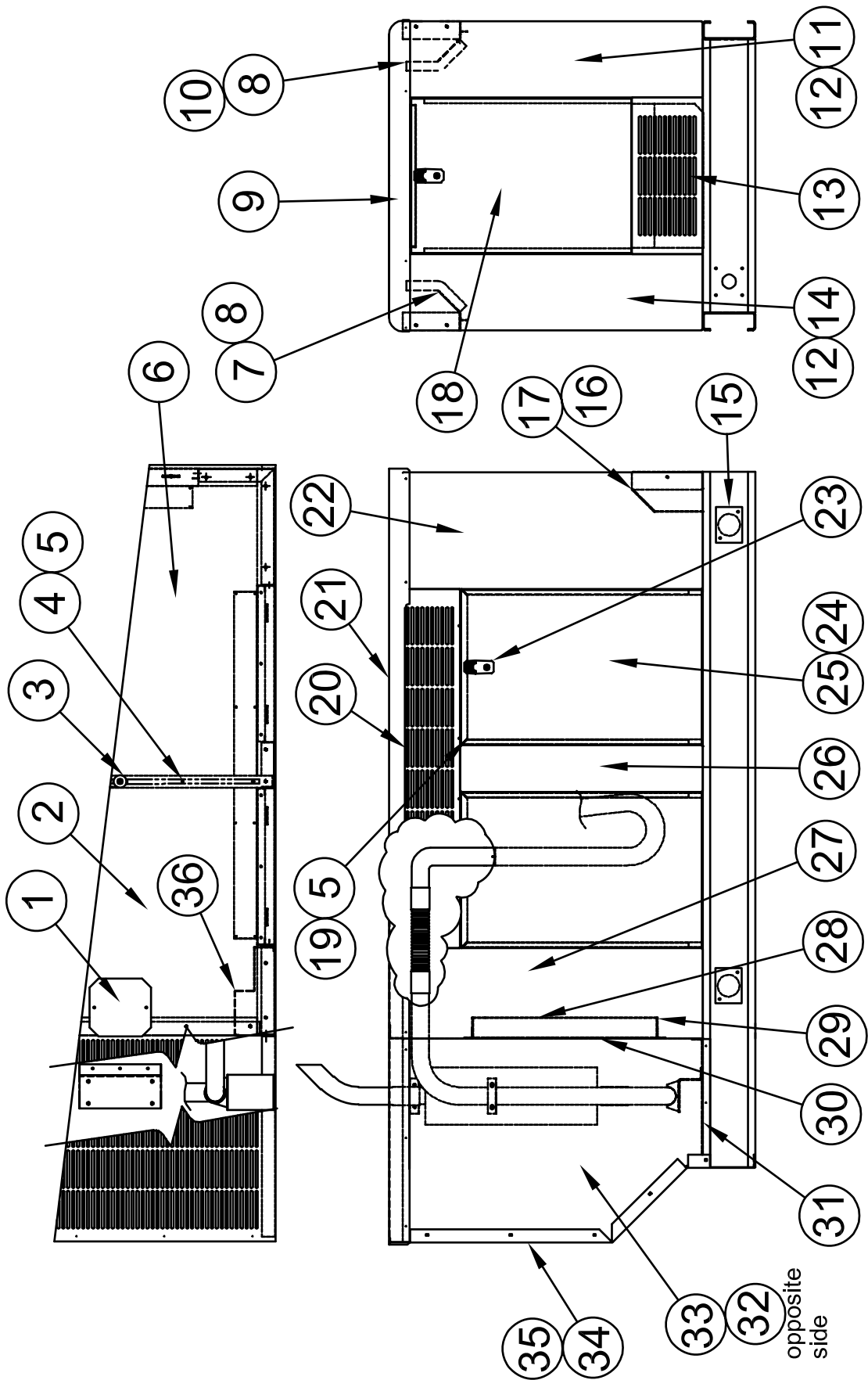
REF #	PART NUMBER	QTY	DESCRIPTION
NI	15750-001	1	Ground Decal
NI	97813-000	3	Auto Start Warning
NI	15209-000	1	Warning Decal
NI	56596-000	1	Fuel Decal
NI	56597-000	1	Fuel Decal
NI	63941-001	1	Hot Surface Decal
NI	64891-001	1	Electrical Code Decal
NI	63941-003	1	Battery Warning Decal
NI	Not Illustrated		

# EXHAUST ASSEMBLY



REF #	PART NUMBER	QTY	DESCRIPTION
1	99291-001	1	Exhaust Pipe Support
2	80519-001	1	Muffler
3	99060-001	1	Cover Plate
4	99291-003	1	Exhaust Pipe Support
5	99299-000	1	Tail Pipe
6	97761-007	1	90° Elbow 2"
7	64743-001	1	Flex Exhaust
8	97761-006	1	90° Elbow 2"
9	97274-000	25 FT	High Temperature Tape
10	99234-000	1	Exhaust Support
11	99298-001	1	Exhaust Pipe
12	93489-003	8	Muffler Clamp

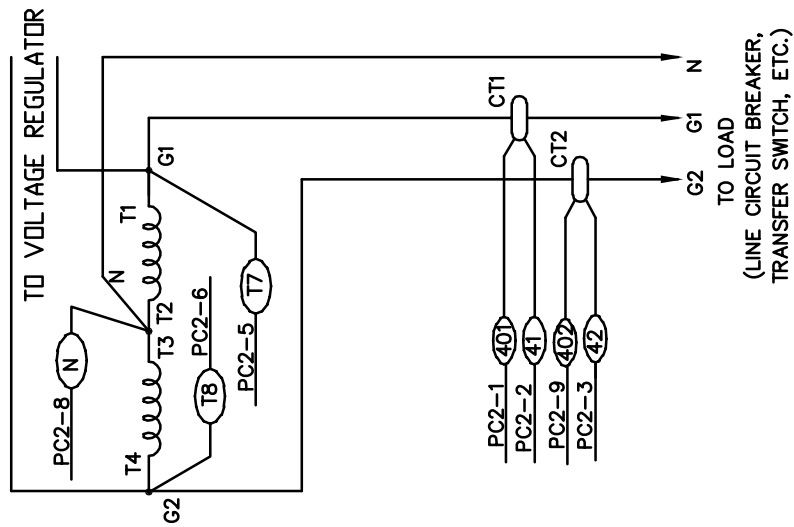
# HOUSING ASSEMBLY



REF #	PART NUMBER	QTY	DESCRIPTION
1	62026-003	1	Cover Plate
2	99393-419	1	Foam Piece Front Roof
3	62825-011	1	Spacer
4	99225-001	1	Roof Support
5	62912-000	39.09 FT	Foam Strip
6	99393-405	1	Foam Piece Rear Roof
7	99393-420	1	Foam Piece
8	99103-003	2	Backing Plate
9	99391-000	1	Roof End
10	99393-408	1	Foam Piece
11	99067-001	1	Right Rear Corner Post
12	99393-410	2	Foam Piece
13	99100-000	1	Sill
14	99067-000	1	Left Rear Corner Post
15	99060-000	4	Cover Plate
16	99103-000	1	Backing Plate
17	99393-404	1	Foam Piece
18	15680-013	1	Back Door
19	99224-000	4	Door Jamb
20	99098-000	2	Sill
21	99086-005	1	Roof
22	99393-411	2	Foam Piece
23	95229-004	5	Door Latch
24	15680-009	4	Side Door
25	99393-412	4	Door Foam
26	99066-000	2	Mullion
27	99071-004	1	Housing Front
28	99708-003	2	Radiator Side Flange
29	99708-002	2	Radiator End Flange
30	92421-000	6.88 FT	1 ½" Foam Strip
31	99223-000	1	Air Chamber Floor
32	99392-007	1	Right Side Extension
33	99392-006	1	Left Side Extension
34	99083-001	1	Front Panel
35	99393-406	1	Foam Piece
36	99378-012	1	Front Housing Baffle

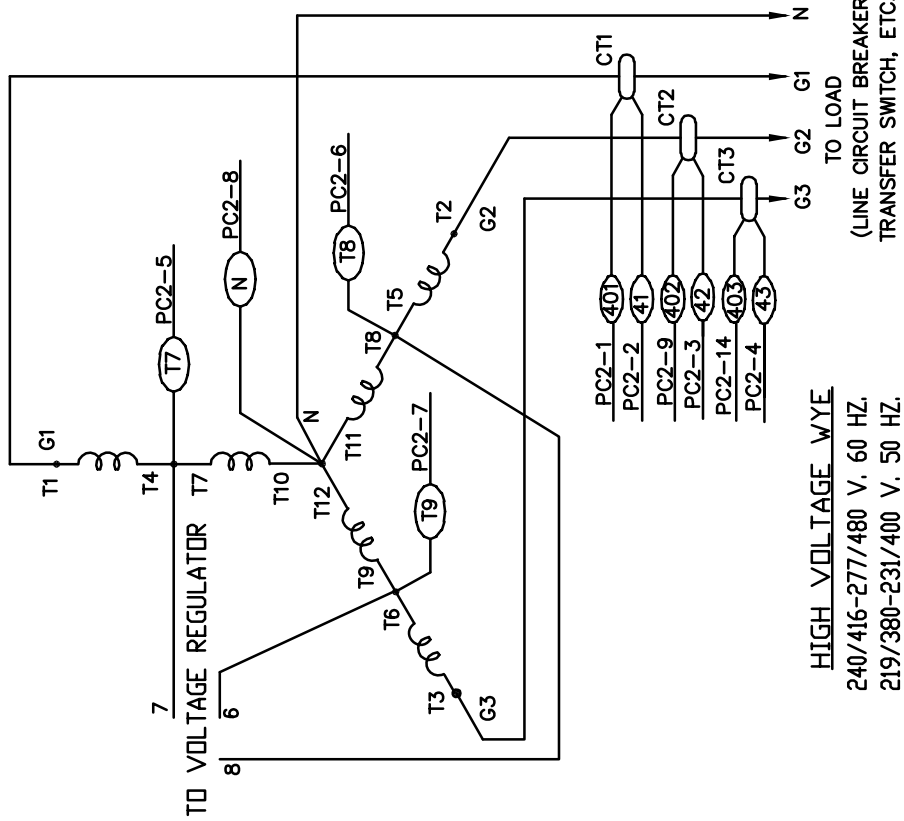
# PSS27LS-3/C

HIGH VOLTAGE SINGLE PHASE  
 120/208-139/240 V. 60 HZ.  
 100/173- 115/200 V. 50 HZ.



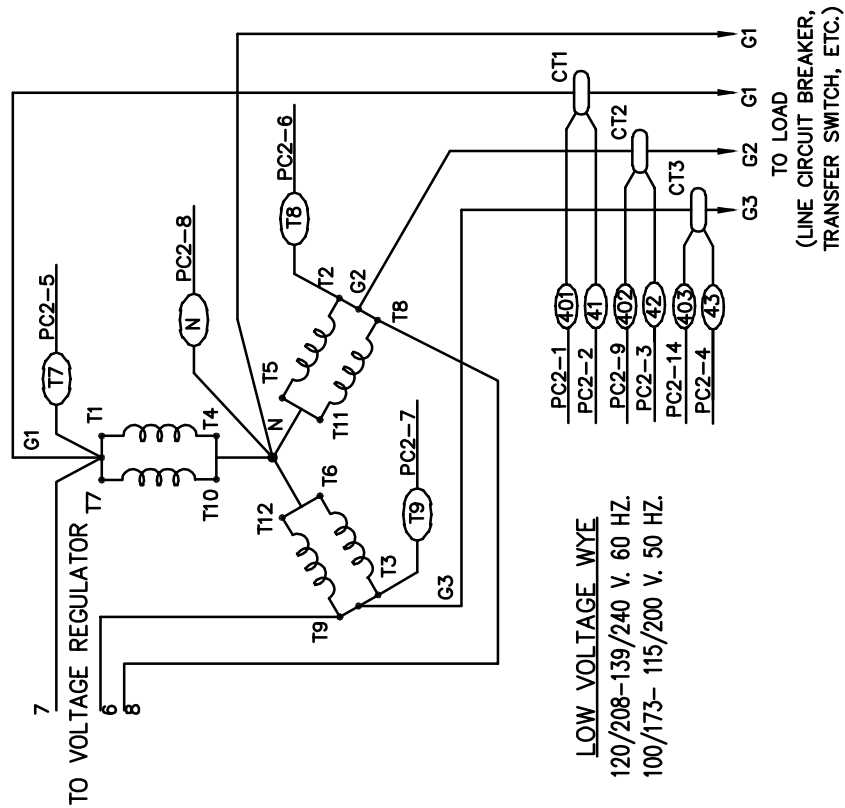
# PSS27LS-18/C

## AC WIRING SCHEMATICS

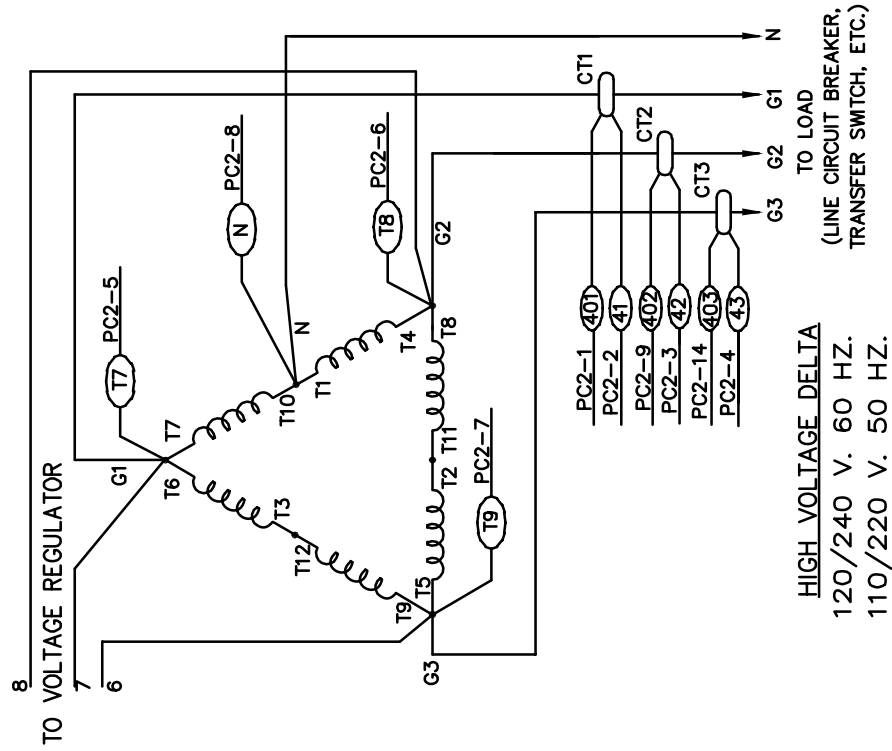


HIGH VOLTAGE WYE  
 240/416-277/480 V. 60 HZ.  
 219/380-231/400 V. 50 HZ.

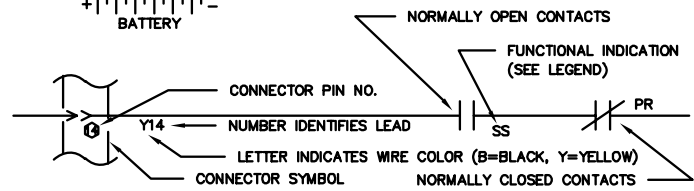
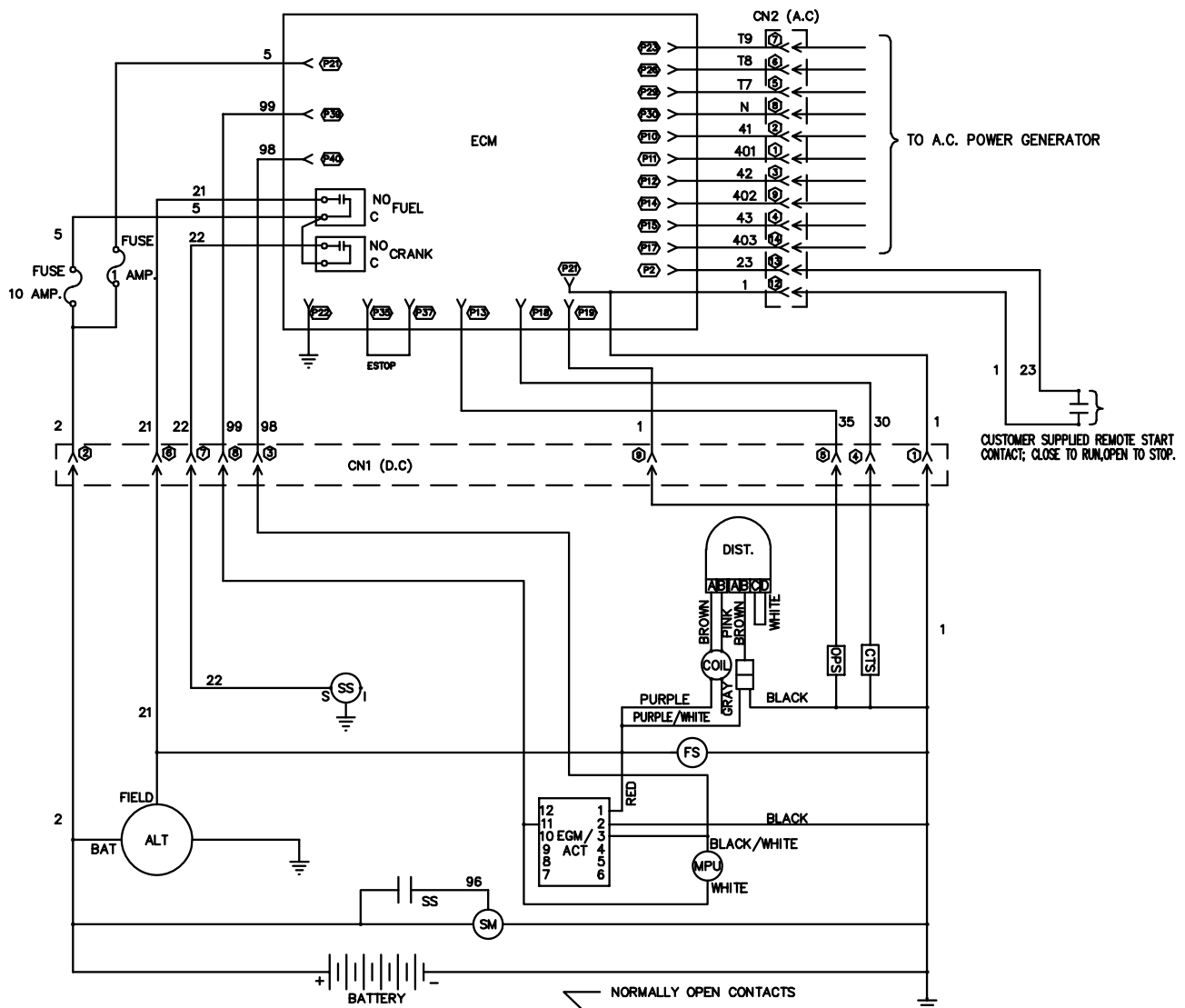
# PSS27LS-4/C



# PSS27LS-17/C



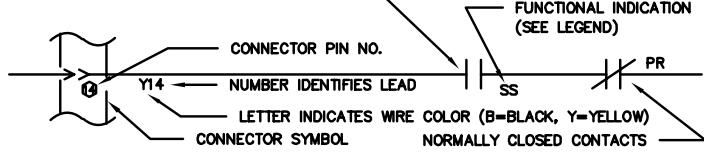
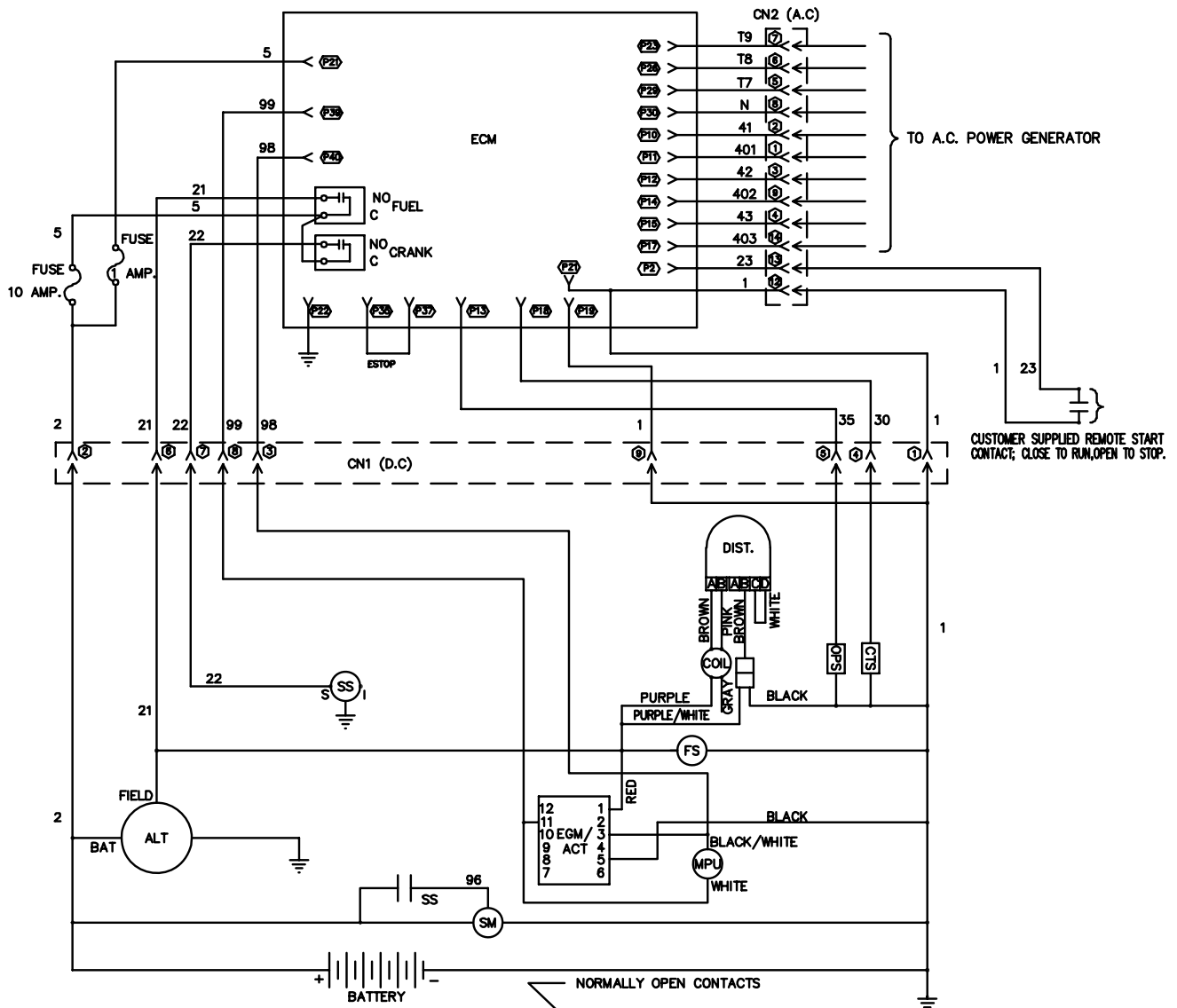
# “LCS” SERIES GOVERNOR (ORIGINAL DESIGN PSS27LS/C)



- LEGEND**
- |         |                                       |
|---------|---------------------------------------|
| ALT     | ALTERNATOR                            |
| CN1,CN2 | WIRING HARNESS CONNECTORS             |
| CTS     | COOLANT TEMPERATURE SENDER            |
| DIST.   | ENGINE IGNITION DISTRIBUTOR           |
| ECM     | ENGINE CONTROL MODULE                 |
| EGM/ACT | ELECTRONIC GOVERNOR MODULE / ACTUATOR |
| FS      | FUEL SOLENOID                         |
| GND     | GROUND (CHASSIS OR FRAME)             |
| MPU     | MAGNETIC PICKUP UNIT                  |
| OPS     | OIL PRESSURE SENDER                   |
| SS      | ENGINE STARTER MOTOR SOLENOID         |
| SM      | ENGINE STARTER MOTOR                  |

## DC WIRING SCHEMATIC

# “L” SERIES GOVERNOR (WITH NEW GOVERNOR REPLACEMENT)



- LEGEND**
- ALT ALTERNATOR
  - CN1,CN2 WIRING HARNESS CONNECTORS
  - CTS COOLANT TEMPERATURE SENDER
  - DIST. ENGINE IGNITION DISTRIBUTOR
  - ECM ENGINE CONTROL MODULE
  - EGM/ACT ELECTRONIC GOVERNOR MODULE / ACTUATOR
  - FS FUEL SOLENOID
  - GND GROUND (CHASSIS OR FRAME)
  - MPU MAGNETIC PICKUP UNIT
  - OPS OIL PRESSURE SENDER
  - SS ENGINE STARTER MOTOR SOLENOID
  - SM ENGINE STARTER MOTOR

## DC WIRING SCHEMATIC