

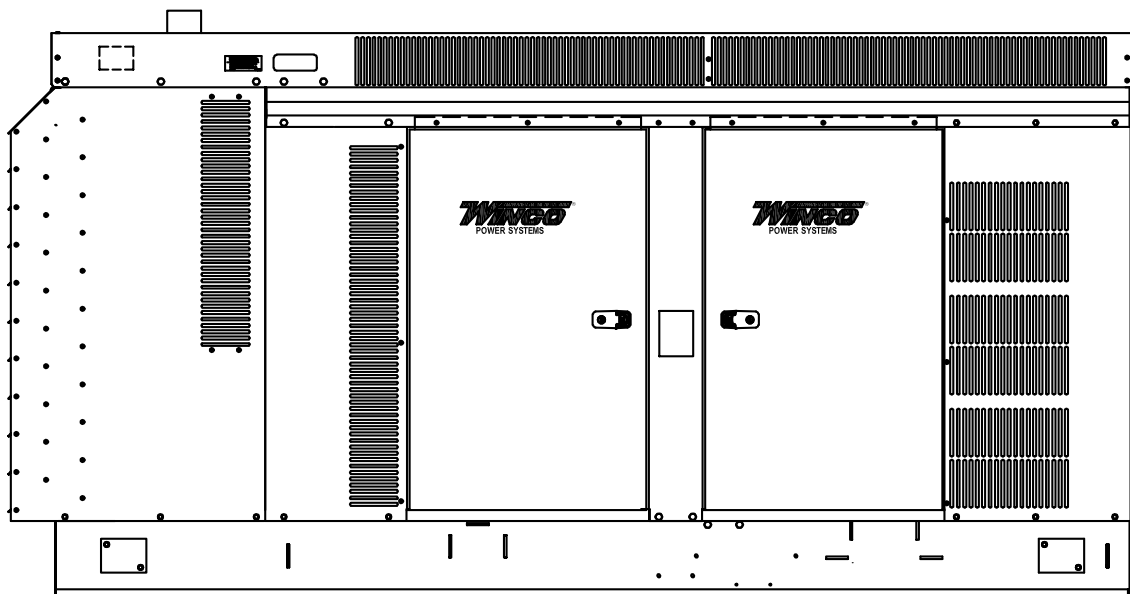
**ILLUSTRATED
PARTS LIST**

ULPSS75LS-3/E

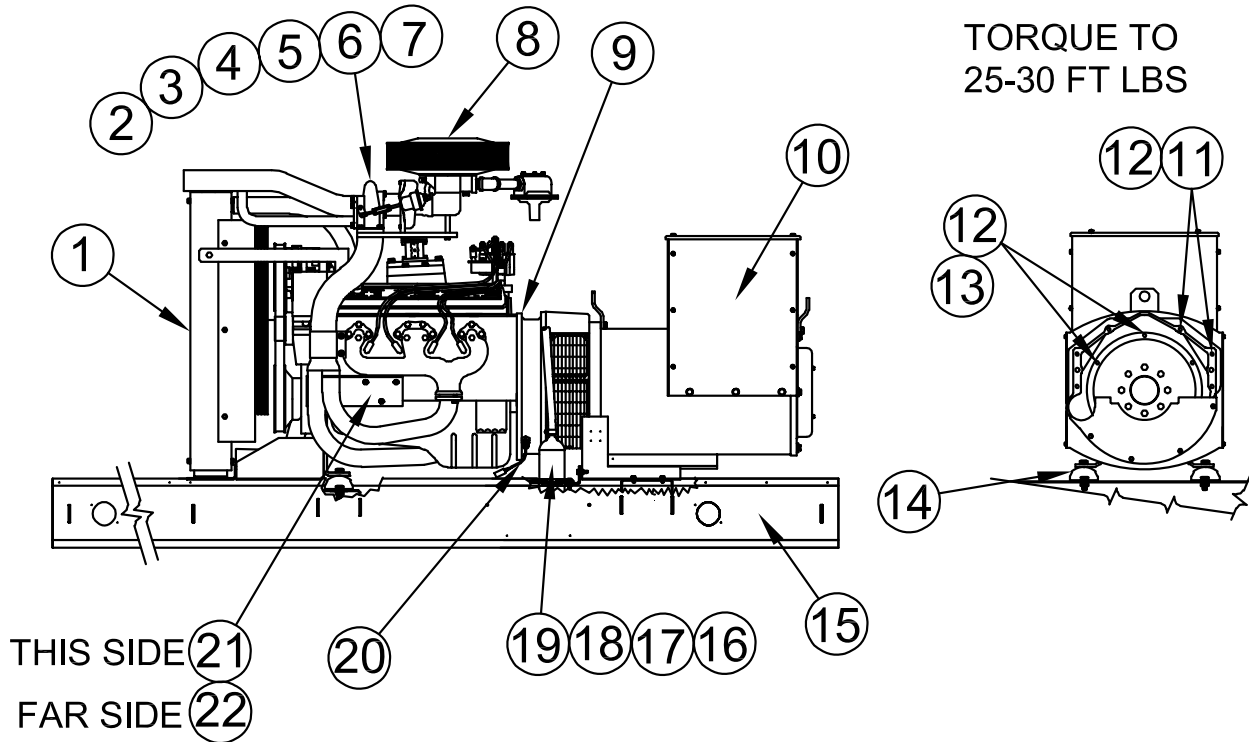
ULPSS75LS-4/E

ULPSS75LS-17/E

ULPSS75LS-18/E



ENGINE & GENERATOR ASSEMBLY



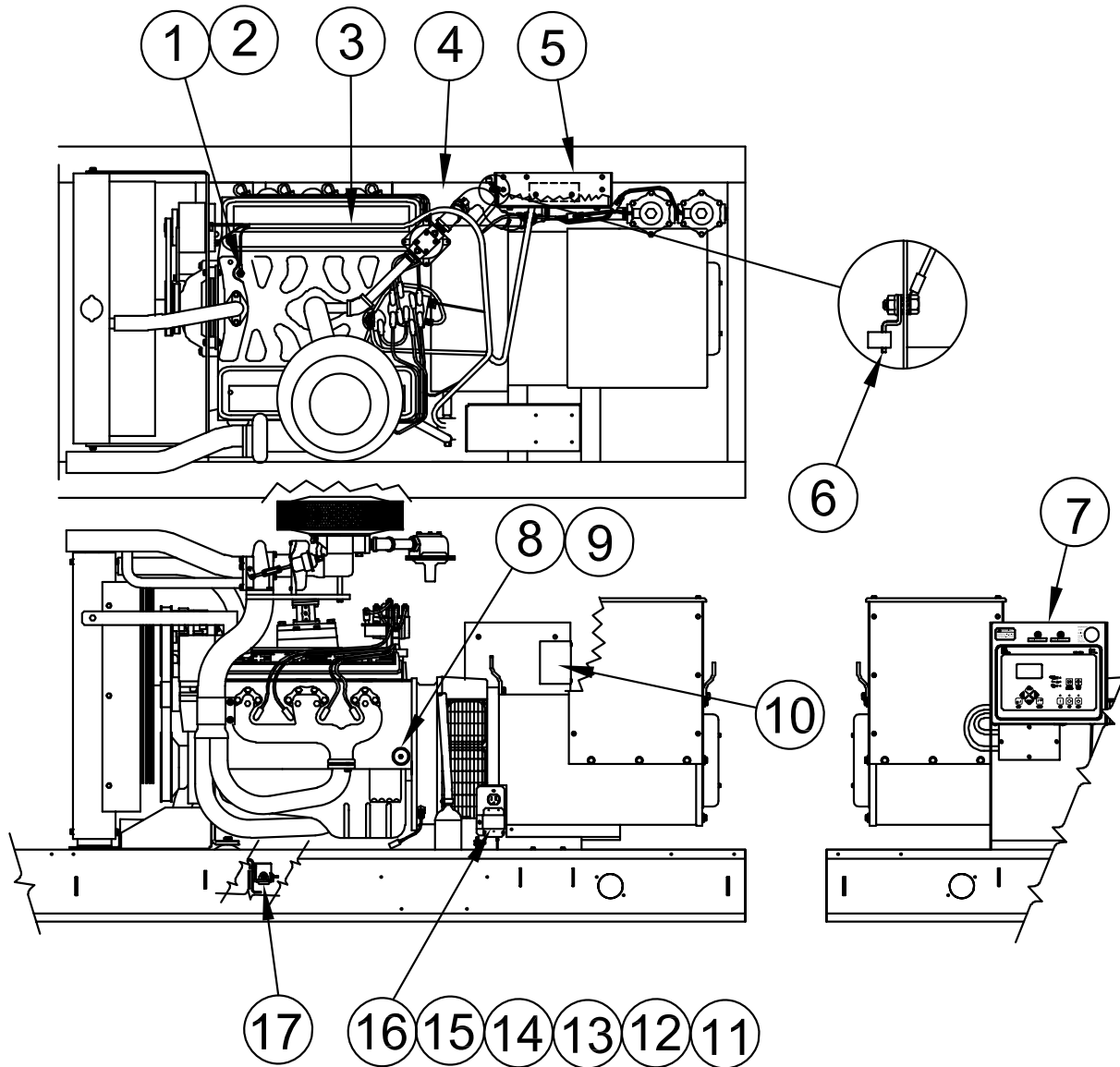
REF #	PART NUMBER	QTY	DESCRIPTION
1	Reference	1*	Radiator
2	99914-003	1	Engine Intake Tube
3	81018-002	6	Hose Clamp
4	95679-002	2	T-Bolt Clamp
5	99915-000	3-3/4"	1.5 ID Hose
6	99914-002	1	Engine Intake Tube
7	99916-000	5-5/8"	2.0 ID Hose
8	F1-9	1	Impco Air Filter
9	SEE TABLE	1	Engine, GM 5.7L Turbo
10	SEE TABLE	1	Generator, Stamford Newage
11	96000-004	6	3/8 - 16 X 1-1/2" Bolt
12	481-001	12	Split Lock Washer
13	96000-005	6	3/8 - 16 X 2" Bolt
14	98956-001	4	Shock Mount
15	99381-017	1	Welded Base Assembly
16	80781-003	1	1000W 120V Heater
17	350341	1	Adapter
18	93689-001	7 FT	Heater Hose
19	81018-005	4	Hose Clamp
20	350101-1	1	Magnetic Pick-up

REF #	PART NUMBER	QTY	DESCRIPTION
21	64714-006	1	Fan Belt Guard
22	64714-007	1	Fan Belt Guard
NI	93542-016	1	Lead Wire Assembly
NI	93542-010	1	Lead Wire Assembly
NI	PF-35	1	AC Delco Oil Filter
NI	41-932	8	AC Delco Spark Plug
NI	Not Illustrated		
*	Provided by GM		

MODEL	ENGINE PART NUMBER
ULPSS75LS-3/ENG	350775-20
ULPSS75LS-3/ELP	350775-21
ULPSS75LS-3/ELPG	350775-22

STAMFORD NEWAGE MODEL #	UCI224G1J 4-LEAD	UCI224G1L 12-LEAD
WINCO PART #	351928-51	351928-5
WINCO MODEL #'S	ULPSS75LS-3/ENG ULPSS75LS-3/ELP ULPSS75LS-3/ELPG	ULPSS75LS-4/ENG ULPSS75LS-17/ENG ULPSS75LS-18/ENG ULPSS75LS-4/ELP ULPSS75LS-17/ELP ULPSS75LS-18/ELP ULPSS75LS-4/ELPG ULPSS75LS-17/ELPG ULPSS75LS-18/ELPG

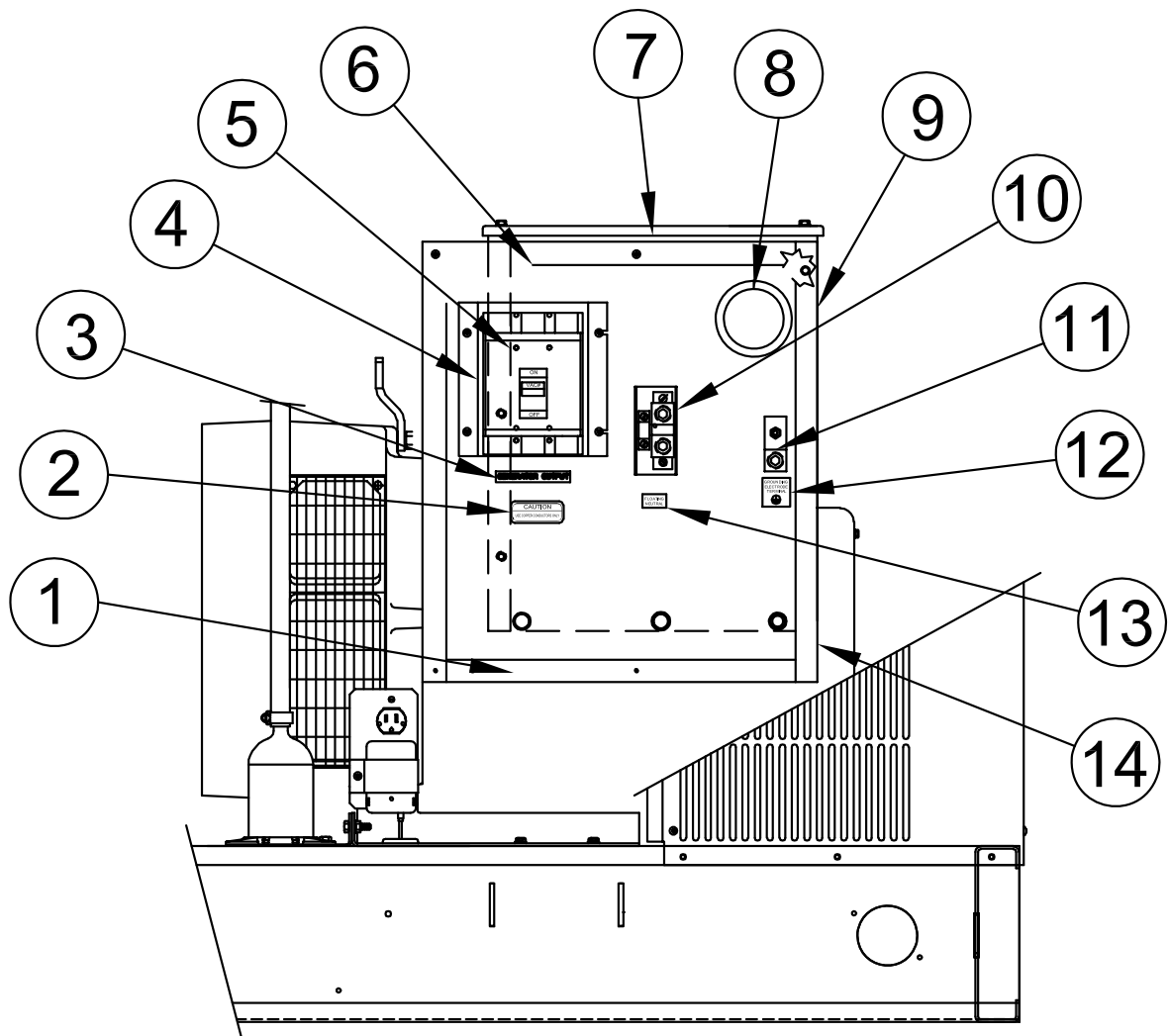
ENGINE CONTROL ASSEMBLY



REF #	PART NUMBER	QTY	DESCRIPTION
1	99265-001	1	Temperature Sender
2	56372-000	1	3/8" to 1/2" Reducer
3	99420-013	1	Engine Control Harness
4	99317-001	1	Battery Tray
5	99057-016	1	Support Pedestal
6	48042-000	1	Ground Lug
7	99777-007	1	Control Box Assembly
8	99267-001	1	Oil Pressure Sender
9	80951-000	1	1/8" to 1/4" Reducer
10	16440-008	1	Programming Cover Plate

REF #	PART NUMBER	QTY	DESCRIPTION
11	16287-000	1	Battery Tender
12	300308-410	1	Hold Down Bracket
13	16302-000	1	Grommet
14	92789-000	1	2" X 2" X 4" Utility Box
15	24749-000	1	Duplex Receptacle
16	59026-002	1	Receptacle Cover Plate
17	80980-000	1	Start Solenoid
NI	53220-058	1	Positive (+) Battery Cable
NI	53220-013	1	Negative (-) Battery Cable
NI	Not Illustrated		

CIRCUIT BREAKER ASSEMBLY



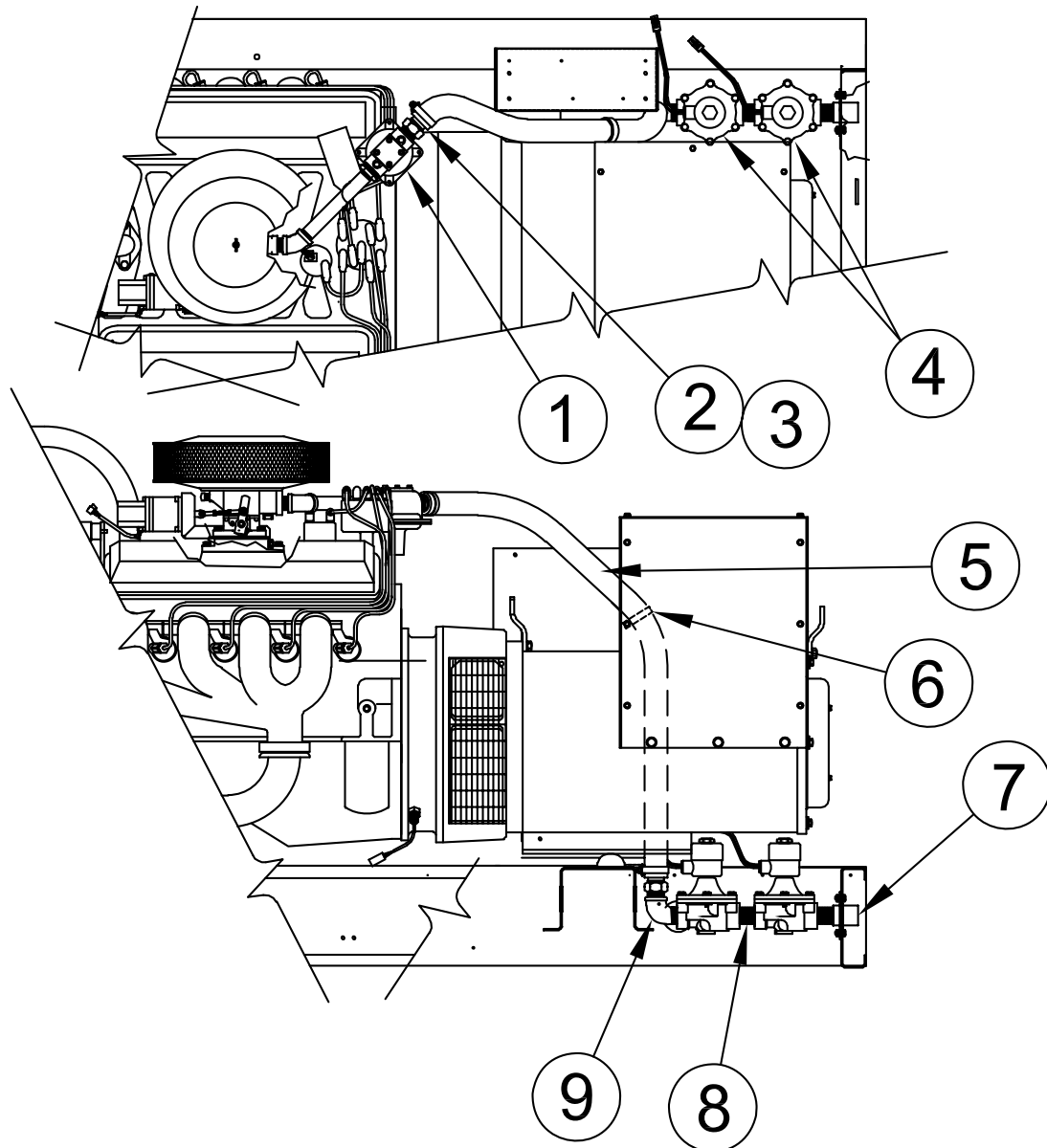
CIRCUIT BREAKER ASSEMBLY

REF #	PART NUMBER	QTY	DESCRIPTION
1	99828-007	1	Cabinet, Bottom Panel
2	64576-009	1	Decal, Copper Conductor
3	16503-000	1	Decal, Output
4	SEE TABLE	1	Circuit Breaker Spacer
5	SEE TABLE	1	Circuit Breaker
6	99827-006	1	Cabinet, Cover Plate
7	99828-006	1	Cabinet, Top Panel
8	58684-000	1 FT	Edge Trim
9	99826-000	1	Back & Side Panel
10	SEE TABLE	1	Neutral Terminal
11	58060-000	1	Ground Terminal Lug
12	16499-001	1	Decal, Ground Terminal
13	16501-000	1	Decal, Flouting Neutral
14	64893-001	1	Angle Bracket
NI	SEE TABLE	1	Lead Wire Group

NI Not Illustrated

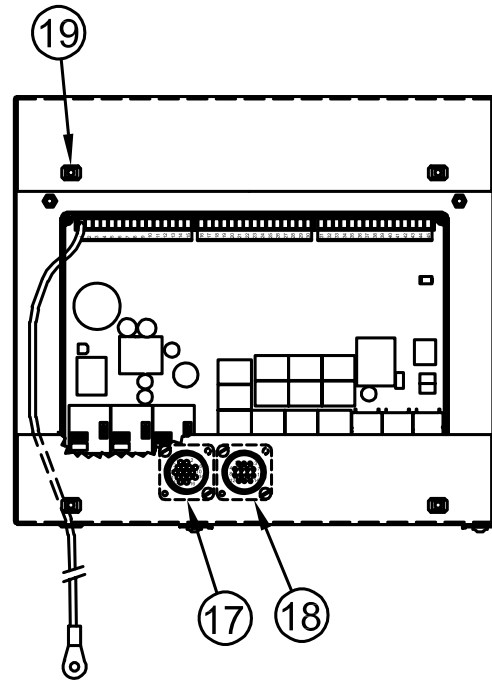
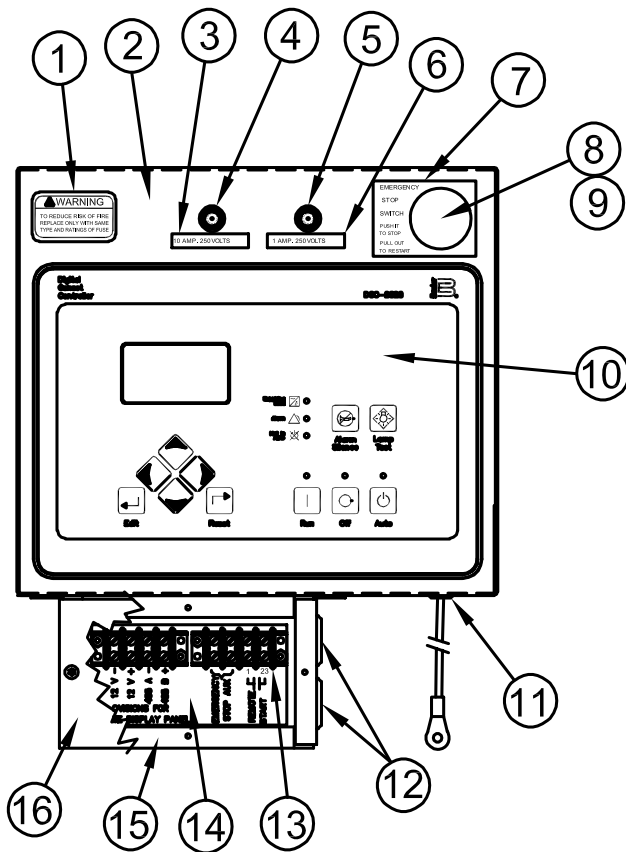
MODEL	PART NUMBER	DESCRIPTION	LEAD WIRE GROUP	NEUTRAL	CB SPACER
ULPSS75LS-3/E	81094-008	300A 2-POLE 240V BREAKER	99830-000	350124-2	99831-000
ULPSS75LS-4/E	81096-007	250A 3-POLE 240V BREAKER	99830-001	350124-4	99831-000
ULPSS75LS-17/E	81096-006	225A 3-POLE 240V BREAKER	99830-001	350124-4	99831-001
ULPSS75LS-18/E	81097-008	100A 3-POLE 480V BREAKER	99830-003	350124-4	99831-002

FUEL SYSTEM ASSEMBLY



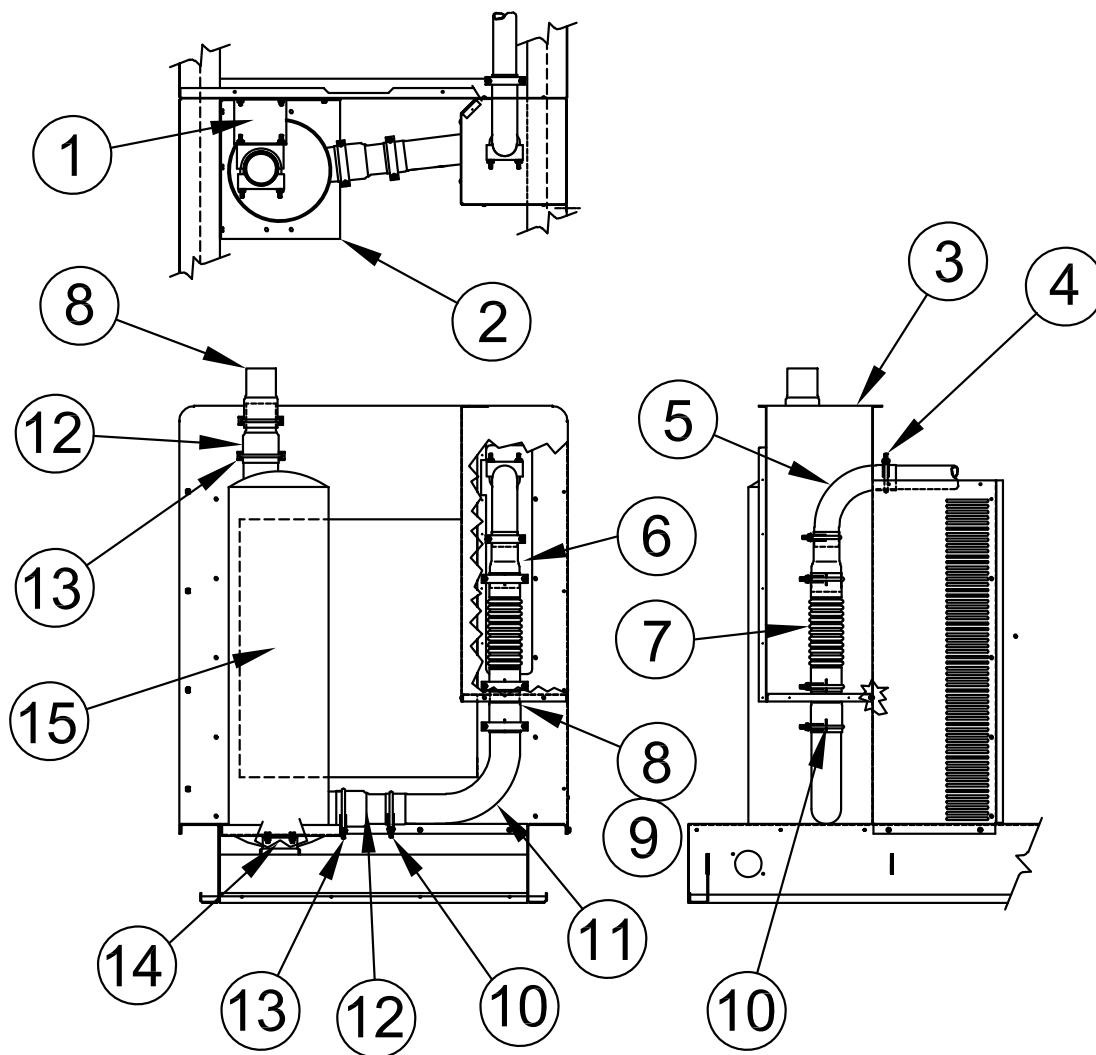
REF #	PART NUMBER	QTY	DESCRIPTION
1	81017-000	1	Regulator
2	92388-006	2	1" NPT to 1.25" Hose Fitting
3	81018-001	2	Hose Clamp
4	42942-001	2	Fuel Solenoid
5	81103-000	4 FT	1-1/4" I.D. Hose
6	97391-009	1	Cushioned Clamp
7	99065-000	1	Fuel Inlet Weldment
8	81079-000	2	1" NPT X 1-1/2" Pipe Nipple
9	24363-000	1	1" - 90° Street Elbow

CONTROL PANEL ASSEMBLY



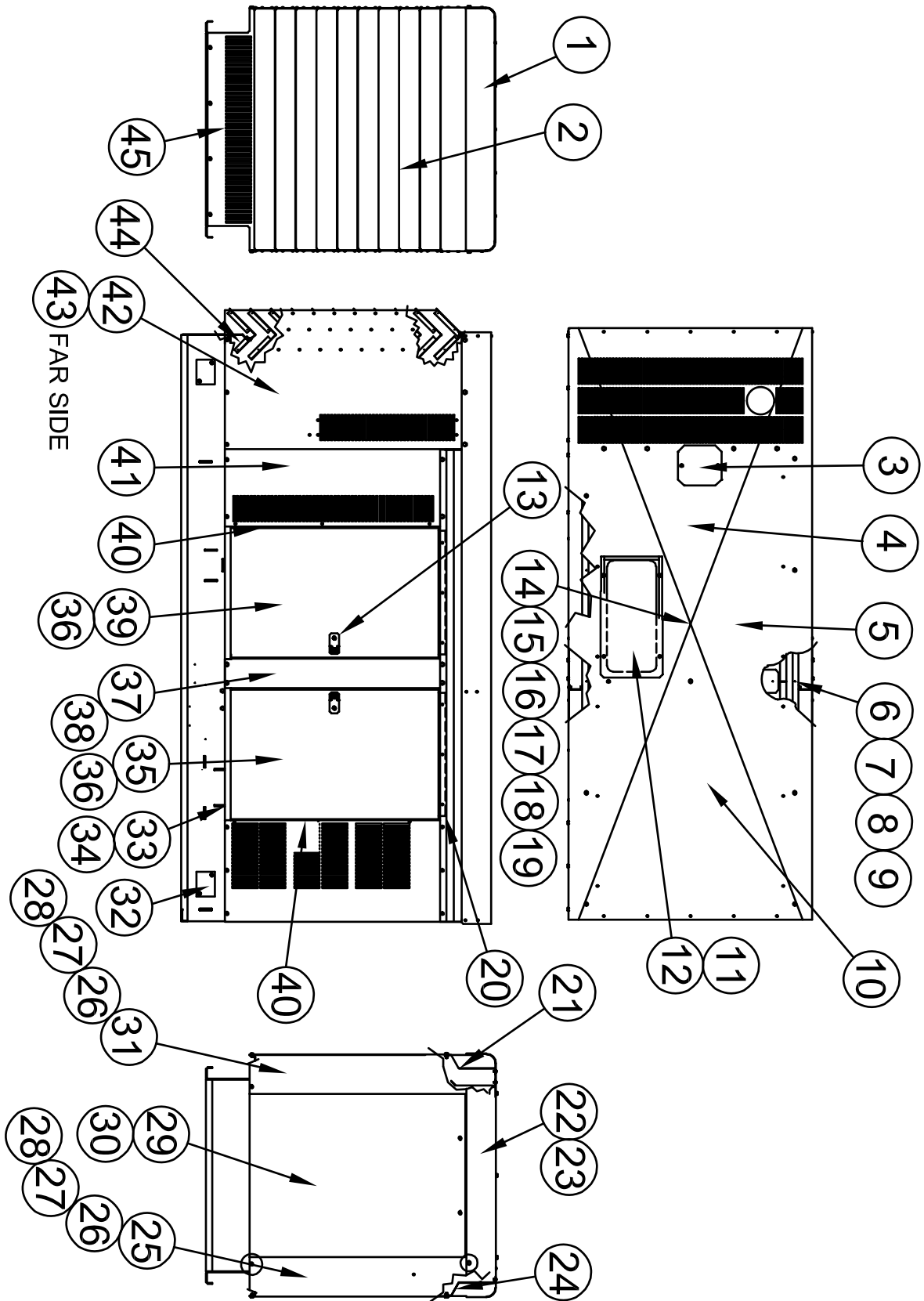
REF #	PART NUMBER	QTY	DESCRIPTION
1	63941-004	1	Fuse Rating Warning Decal
2	99055-012	1	Control Box Front Panel
3	15983-006	1	10 Amp Fuse Decal
4	95064-006	1	10 Amp Fuse
5	95064-003	1	1 Amp Fuse
6	15983-005	1	1 Amp Fuse Decal
7	63941-006	1	Emergency Stop Decal
8	99783-002	1	Emergency Stop Switch Block
9	99783-001	1	Emergency Stop Switch
10	351855-1	1	Basler DGC-2020 Engine Control
11	45853-000	1	Grommet
12	23917-000	2	Grommet
13	80623-008	2	4 Point Terminal Block
14	64576-010	1	Decal, Terminal Block
15	99873-000	1	Remote Terminal Box
16	99873-001	1	Cover Plate
17	96925-006	1	16 Pin Connector
18	96925-002	1	14 Pin Connector
19	92485-000	4	¼-20 Retained Square Nut
NI	2489-001	2	Fuse Holder
NI	300542	1	Battery, Coin Cell Lithium
NI	Not Illustrated		

EXHAUST ASSEMBLY



REF #	PART NUMBER	QTY	DESCRIPTION
1	99336-001	1	Muffler Top Support
2	99336-002	1	Muffler Support Tray
3	64714-001	1	Exhaust Shield
4	93489-002	2	2-½" Exhaust Clamp
5	99502-008	1	2.5" 90° Exhaust Elbow
6	97759-004	1	3" to 2-1/2" Reducer
7	16016-004	1	Flex Exhaust
8	97759-008	2	3" Exhaust Extension
9	64720-001	1	Shield Bottom Panel
10	93489-001	5	3" Exhaust Clamp
11	99502-007	1	3" 90° Exhaust Elbow
12	97759-007	2	3.5" to 3" Reducer
13	93489-000	2	3.5" Exhaust Clamp
14	99337-002	1	Muffler Support Bracket
15	97409-002	1	Muffler

HOUSING ASSEMBLY



REF #	PART NUMBER	QTY	DESCRIPTION
1	99368-001	1	Roof Front End Panel
2	99631-001	9	Grill Middle Louver
3	62026-003	1	Radiator Cap Cover Plate
4	99788-401	1	Foam Part
5	99341-002	1	Roof
6	99788-403	4	Foam Part
7	99327-001	4	Side Sill Baffle
8	62912-000	6 FT	Foam Strip
9	92495-000	6	¼" - 20 Retained Nut
10	99788-402	1	Foam Part
11	99060-004	1	Air Cleaner Cover Plate
12	99788-404	1	Foam Part
13	95229-005	4	Door Latch
14	99328-000	1	Roof Support
15	62825-011	1	Spacer
16	65000-002	1	¼" - 20 X 1" Bolt
17	65000-001	28	¼" - 20 X ¾" Bolt
18	16248-000	3	¼" - 20 Flange Nut
19	99339-000	2	Roof Brace
20	99333-001	4	Door Jam
21	99325-002	1	Left Side Sill
22	99368-003	1	Roof End Panel
23	99788-413	1	Foam Part
24	99325-003	1	Right Side Sill
25	99319-009	1	Right Rear Corner Post
26	99788-411	2	Foam Part
27	99320-003	2	Rear Corner Post Baffle
28	99339-001	4	Formed Spacer
29	15680-020	1	Rear Door
30	99788-487	1	Foam Part
31	99319-008	1	Left Rear Corner Post
32	99060-000	4	Lifting Hole Cover Plate
33	99333-003	4	Bottom Door Stop
34	64903-000	4	Lead Wire Assembly
35	15680-022	2	Left Swing Door
36	99788-488	4	Foam Part
37	99323-002	2	Mullion
38	99788-412	2	Foam Part
39	15680-021	2	Right Swing Door
40	98375-013	4	Hinge

REF #	PART NUMBER	QTY	DESCRIPTION
41	99324-005	1	Housing Front
42	99329-007	1	Left Extension Panel
43	99329-006	1	Right Extension Panel
44	99631-002	1	Grill Bottom Louver
45	99331-001	1	Front Extension Panel
NI	99378-020	2	Housing Front Right Baffle
NI	99788-407	2	Foam Part
NI	99788-408	1	Foam Part
NI	99788-409	1	Foam Part
NI	99788-410	1	Foam Part
NI	92421-000	9 FT	1.5" Square Foam Strip
NI	62912-000	35 FT	½" X 1/8" Foam Strip
NI	21698-001	109	#10 X 3/8" Screw
NI	Not Illustrated		

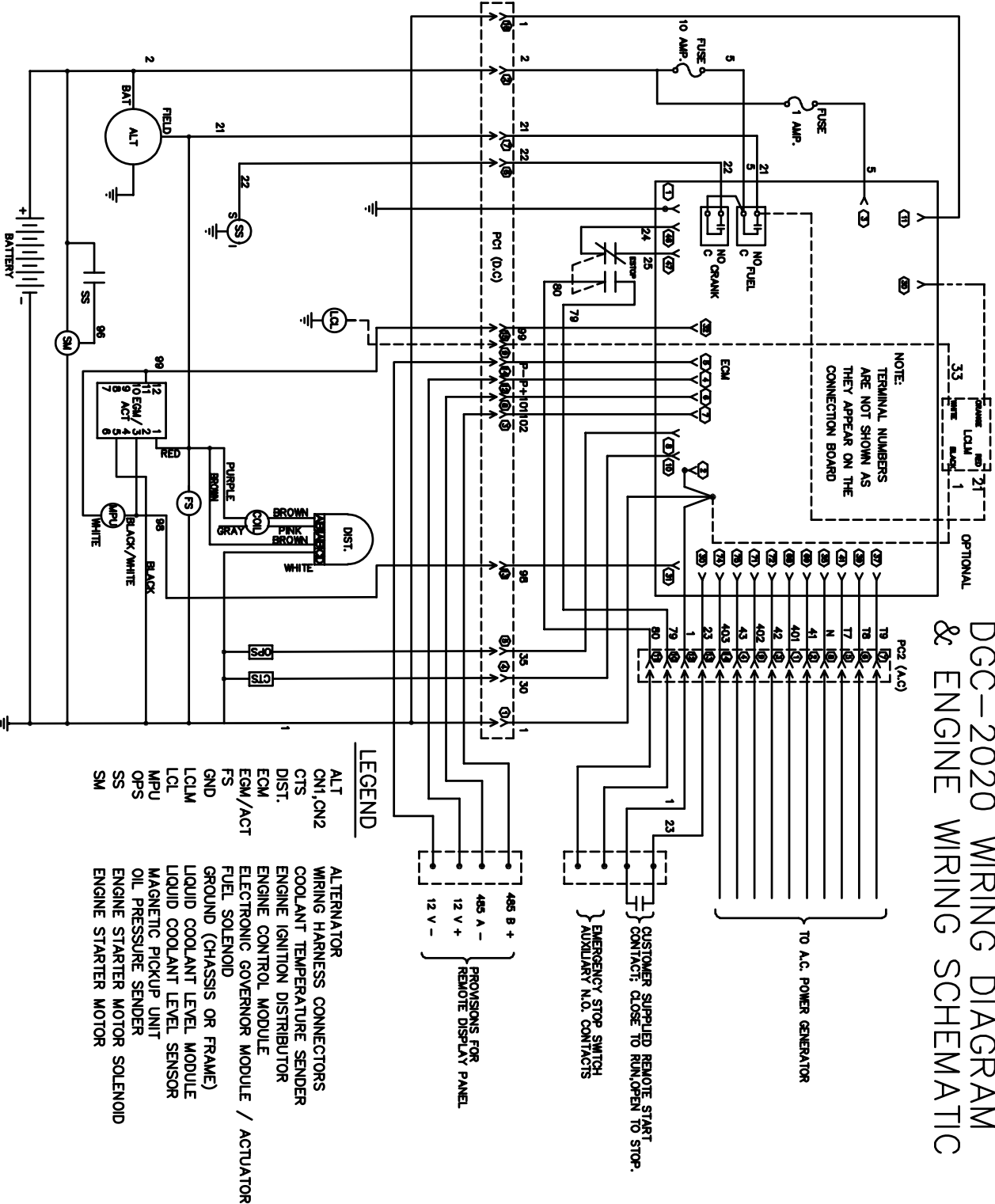
DECALS

REF #	PART NUMBER	QTY	DESCRIPTION
NI	64917-000	1	UL Label
NI	63941-003	1	Battery Warning
NI	64891-001	1	Electrical Code
NI	16502-001	1	AC Disconnect
NI	63941-001	3	Hot Surface Warning
NI	16499-001	1	Ground Electrode
NI	60710-097	1	Fluid Level Warning
NI	15209-000	1	Decal Set
NI	97813-000	3	Auto Start Warning
NI	Not Illustrated		

WINGO INC[®]
A Division of DTE Dyna Technology Inc

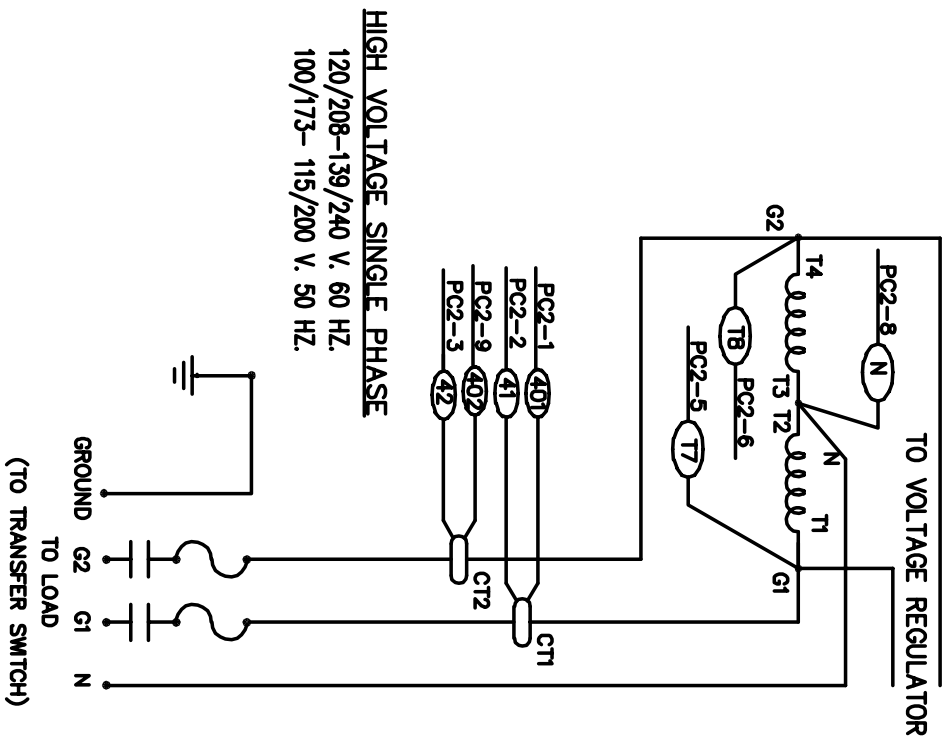
**225 S. CORDOVA AVE.
 LECENTER, MN 56057
 507-357-6821
 SERVICE DEPT.
 507-357-6831**

DC WIRING SCHEMATIC

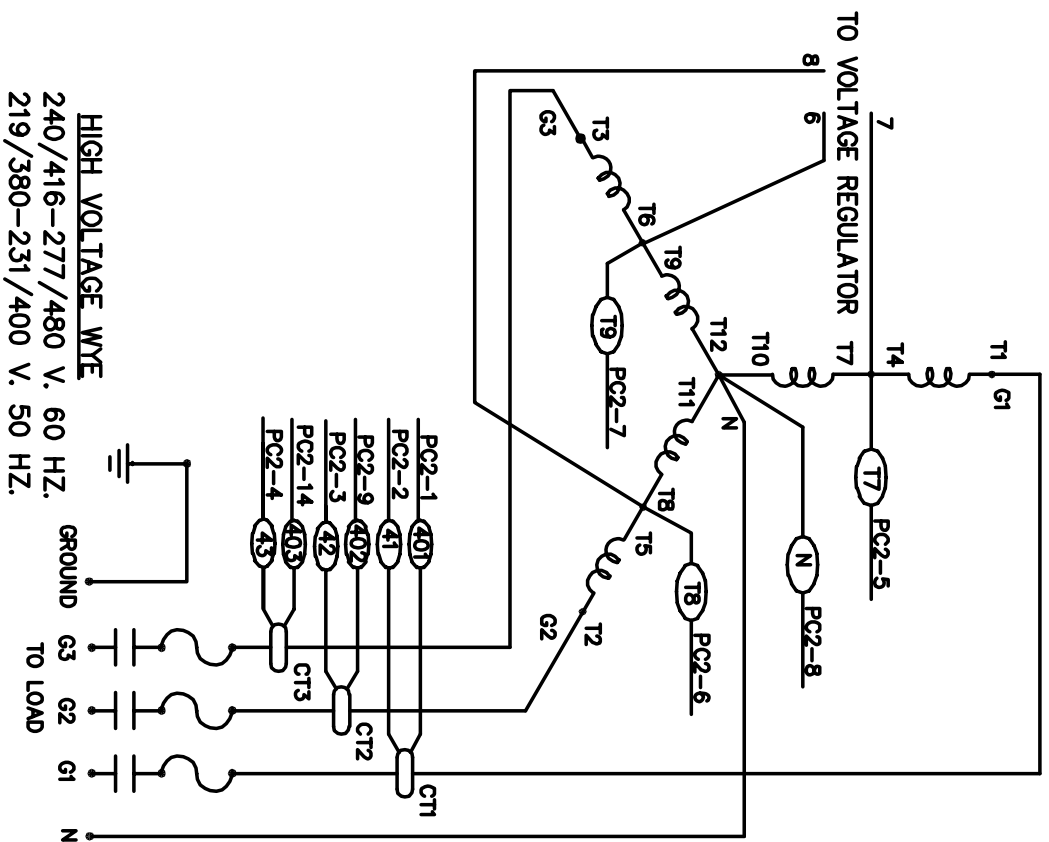


DGC-2020 WIRING DIAGRAM & ENGINE WIRING SCHEMATIC

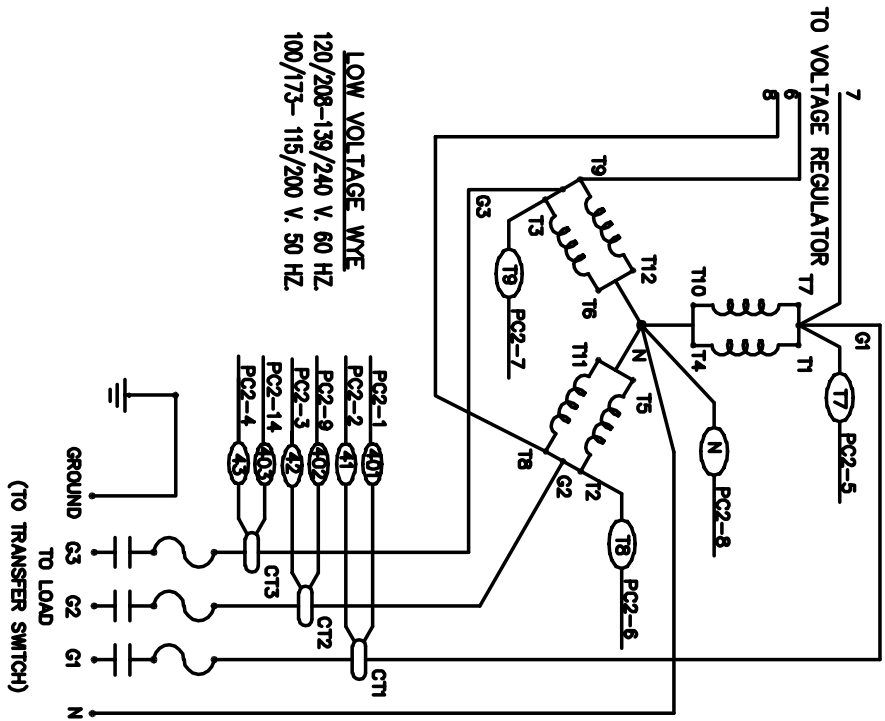
ULPSS75LS-3/E



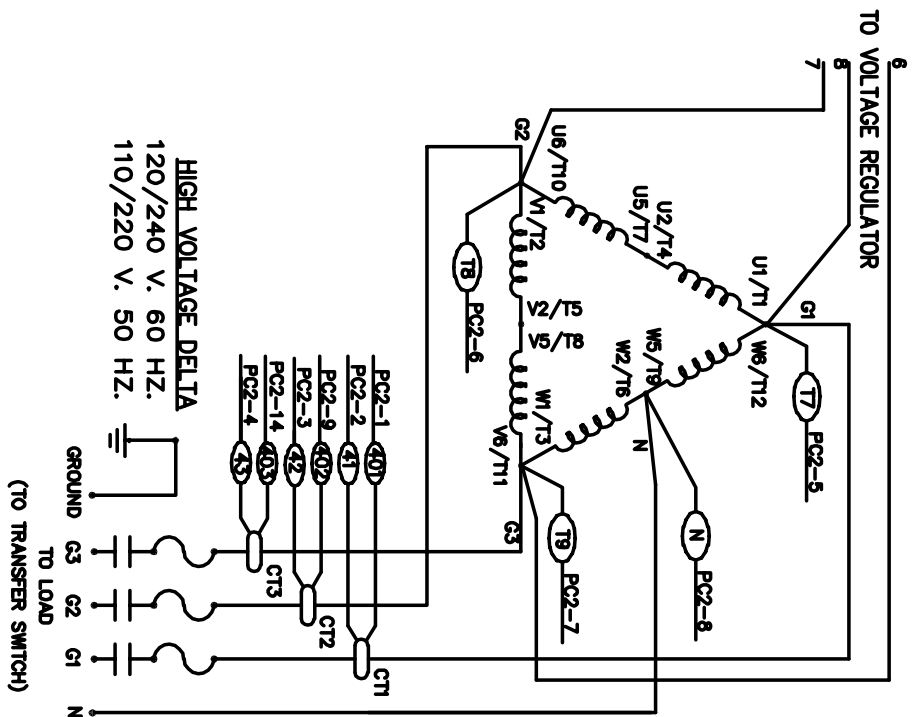
ULPSS75LS-18/E



ULPSS75LS-4/E

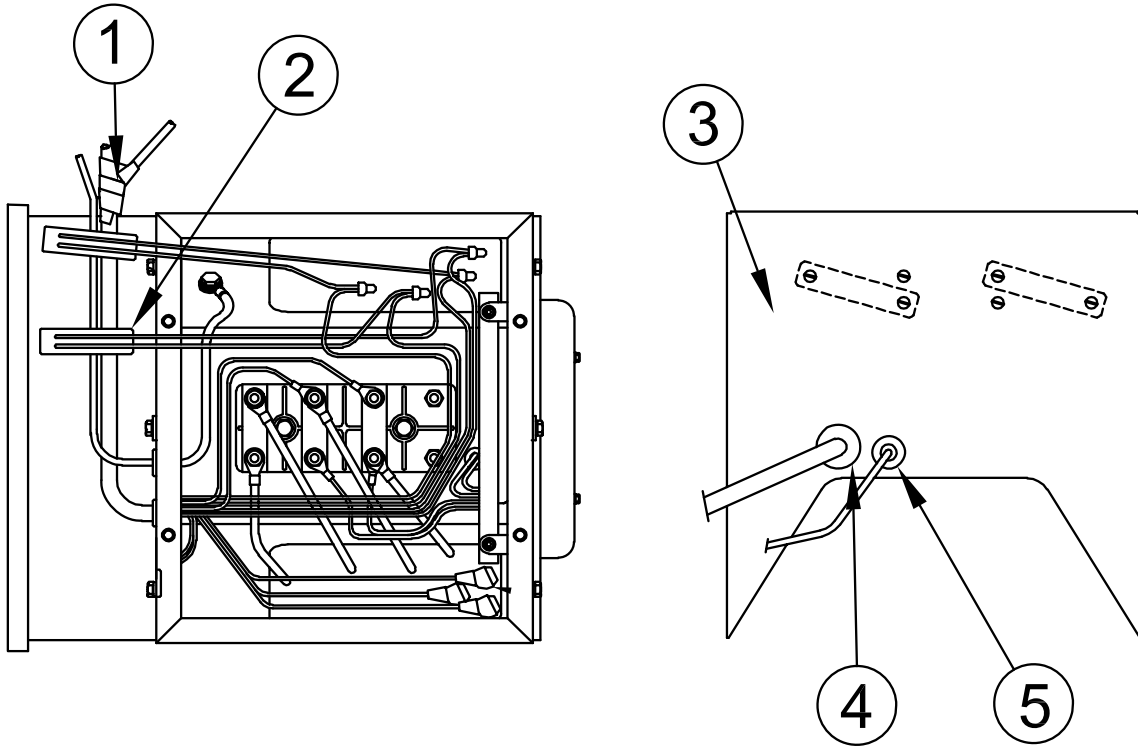


ULPSS75LS-17/E



AC WIRING SCHEMATICS

AC WIRING ASSEMBLY



REF #	PART NUMBER	QTY	DESCRIPTION
1	99347-010	1	AC Harness
2	SEE TABLE	2 or 3	Current Transformer
3	350028-36	1	Rear Panel
4	62486-000	1	Grommet
5	23917-000	1	Grommet
NI	350818-2	1	Voltage Regulator AS440UL
NI	Not Illustrated		

MODEL	PART NUMBER	QUANTITY	DESCRIPTION
ULPSS75LS-3/G	80124-007	2	400 to 5 Amp Transformer
ULPSS75LS-4/G	80124-006	3	300 to 5 Amp Transformer
ULPSS75LS-17/G	80124-006	3	300 to 5 Amp Transformer
ULPSS75LS-18/G	80124-003	3	100 to 5 Amp Transformer