



ILLUSTRATED PARTS LIST

PSS40LS-3/B

PSS40LS-4/B

PSS40LS-17/B

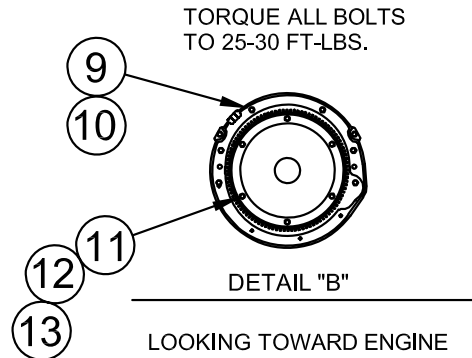
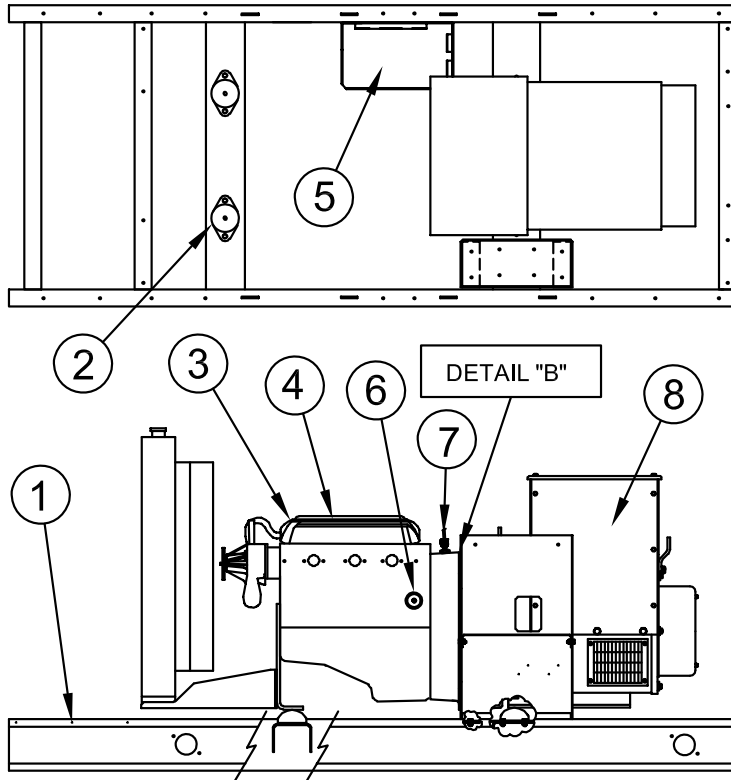
PSS40LS-18/B

2002-2003



225 S. CORDOVA AVE.
LECENTER, MN 56057
507-357-6821
SERVICE DEPT.
507-357-6831

GENERATOR ASSEMBLY



REF #	PART NUMBER	QTY	DESCRIPTION
1	99381-013	1	Base
2	98956-001	4	Shock Mount
3	99265-000	1	Water Temperature Sender
4	SEE TABLE	1	Engine GM 4.3 Liter
5	93569-001	1	Battery Tray
6	99267-001	1	Oil Pressure Sender
7	350101-1	1	Magnetic Pick-up
8	SEE TABLE	1	Generator
9	94282-035	6	M6-1.5 X 35 Bolt
10	97436-010	6	10 mm Lock Washer
11	96000-004	6	3/8"-16 X 3/4" Bolt
12	526-000	6	Flat Washer
13	481-001	6	Lock Washer
NI	41-932	6*	Spark Plug
NI	PF-47	1*	Oil Filter
NI	Not Illustrated		
*	AC Delco Part #		

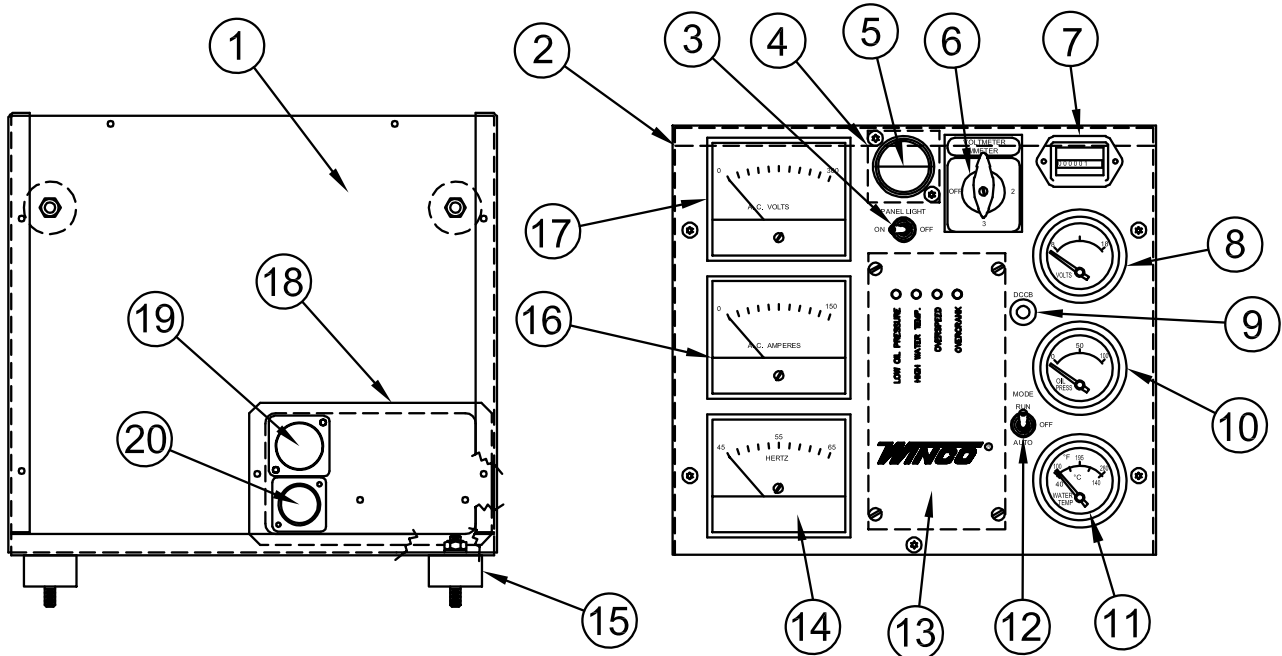
ENGINE TABLE

MODEL #	PART #
PSS40LS-3/BNG PSS40LS-4/BNG PSS40LS-17/BNG PSS40LS-18/BNG	350775-4
PSS40LS-3/BLPG PSS40LS-4/BLPG PSS40LS-17/BLPG PSS40LS-18/BLPG	350775-6
PSS40LS-3/BLP PSS40LS-4/BLP PSS40LS-17/BLP PSS40LS-18/BLP	350775-5

GENERATOR END TABLE

MODEL #	STAMFORD NEWAGE MODEL #	WINCO PART #
PSS40LS-3/BNG PSS40LS-3/BLP PSS40LS-3/BLPG	UCI224C 4-LEAD	350685-11
PSS40LS-4/BNG PSS40LS-4/BLP PSS40LS-4/BLPG PSS40LS-17/BNG PSS40LS-17/BLP PSS40LS-17/BLPG PSS40LS-18/BNG PSS40LS-18/BLP PSS40LS-18/BLPG	UCI224C 12-LEAD	350685-1

CONTROL BOX ASSEMBLY



REF #	PART NUMBER	QTY	DESCRIPTION
1	99056-000	1	Rear Panel
2	99055-001	1	Front Panel
3	71215-001	1	SPST Toggle Switch
4	95807-000	1	License Light
5	99297-000	1	Backing Plate
6	SEE TABLE	1	Voltmeter, Ammeter Switch
7	58166-006	1	Running Time Meter
8	99268-000	1	DC Voltmeter
9	91286-000	1	15 Amp Breaker
10	99266-000	1	Oil Pressure Gauge
11	99264-000	1	Temperature Gauge
12	71216-001	1	DPDT Toggle Switch
13	64813-400	1	Engine Control Module
14	99272-002	1	Frequency Meter
15	71605-003	4	Shock Mount
16	SEE TABLE	1	Ammeter
17	SEE TABLE	1	Voltmeter
18	99343-000	1	Connector Backing Plate
19	96925-002	1	Connector
20	96925-005	1	Connector
NI	SEE TABLE	2 or 3	Current Transformer
NI	Not Illustrated		

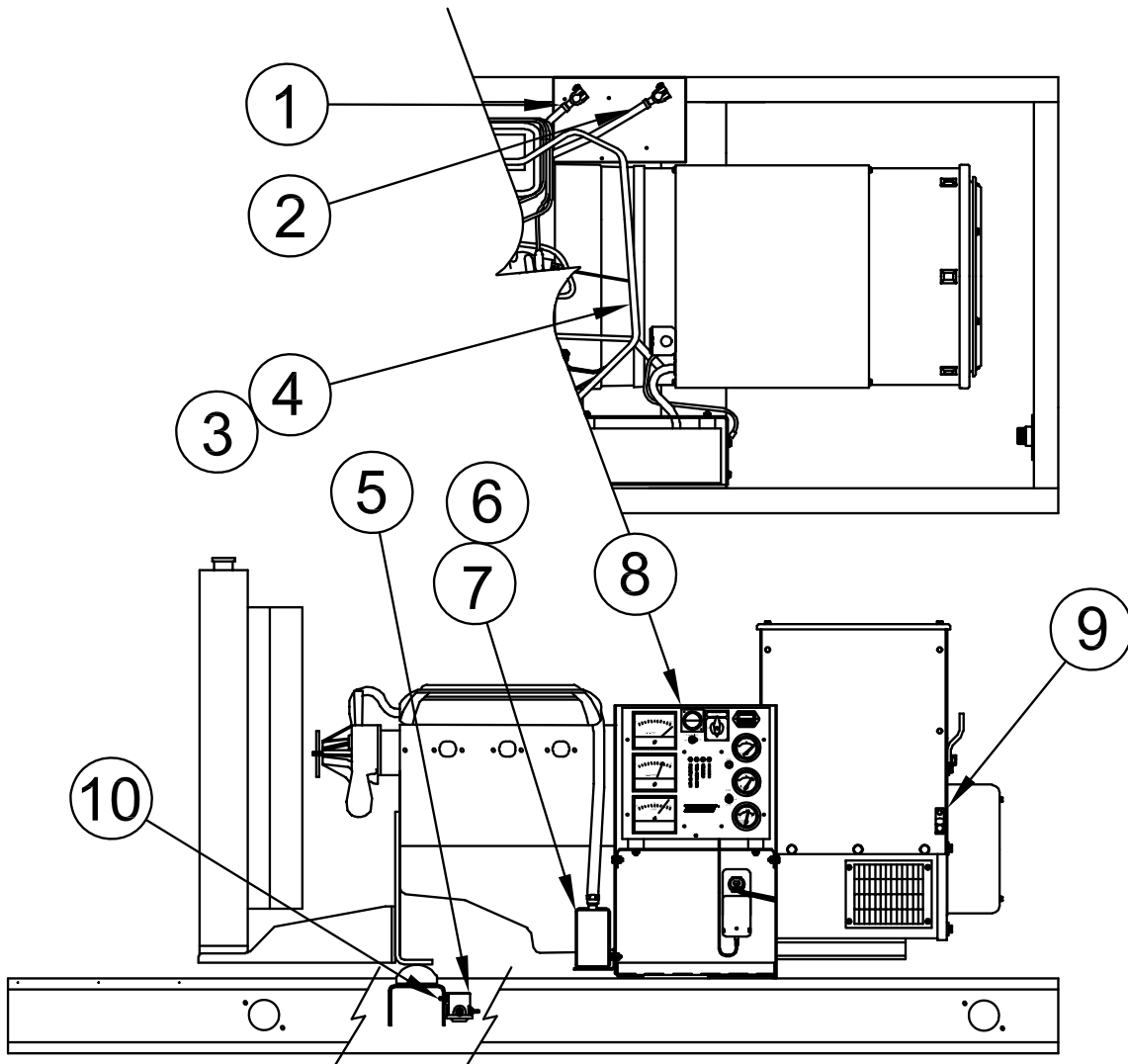
MODEL #	PART NUMBER	DESCRIPTION
PSS40LS-3/B	99003-001	VOLTMETER, AMMETER SWITCH
PSS40LS-4/B PSS40LS-17/B PSS40LS-18/B	99003-000	VOLTMETER, AMMETER SWITCH

MODEL #	PART NUMBER	DESCRIPTION
PSS40LS-3/B	99271-003	AMMETER
PSS40LS-4/B PSS40LS-17/B	99271-002	AMMETER
PSS40LS-18/B	99271-006	AMMETER

MODEL #	PART NUMBER	DESCRIPTION
PSS40LS-18/B	99270-002	VOLTMETER
PSS40LS-3/B PSS40LS-4/B PSS40LS-17/B	99270-003	VOLTMETER

MODEL #	PART NUMBER	DESCRIPTION	QTY
PSS40LS-3/B	80124-005	CURRENT TRANSFORMER	2
PSS40LS-4/B PSS40LS-17/B	80124-004	CURRENT TRANSFORMER	3
PSS40LS-18/B	80124-002	CURRENT TRANSFORMER	3

ELECTRICAL ASSEMBLY

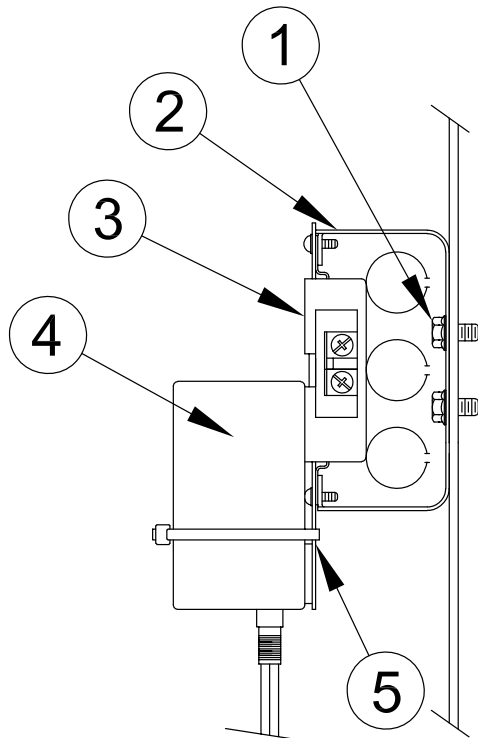


REF #	PART NUMBER	QTY	DESCRIPTION
1	53220-056	1	Positive (+) Battery Cable
2	53220-067	1	Negative (-) Battery Cable
3	99723-003	1	ECM Harness Assembly
4	99724-003	Ref.	ECM Harness Install.
5	80980-000	1	Start Solenoid
6	350087-2	1	Tank Heater 1000W 120V
7	93689-001	73"	5/8" Heater Hose
8	SEE TABLE	1	Control Box Assembly
9	48042-000	1	Ground Lug
10	55440-000	2	Self-tapping Screw

CONTROL BOX TABLE

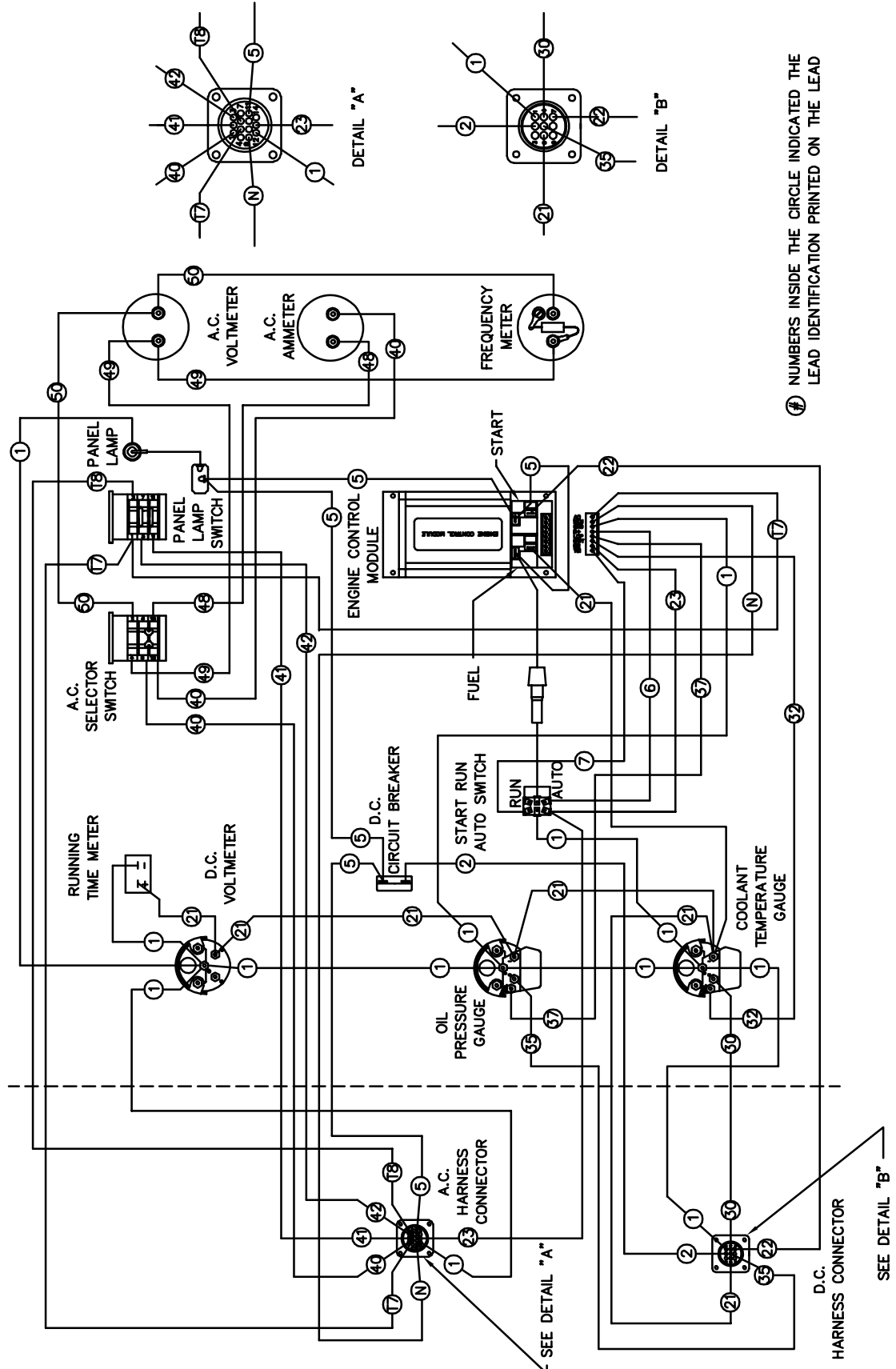
MODEL #	PART #
PSS40LS-3/B	99685-005
PSS40LS-4/B PSS40LS-17/B	99685-006
PSS40LS-18/B	99685-007

BATTERY TENDER ASSEMBLY



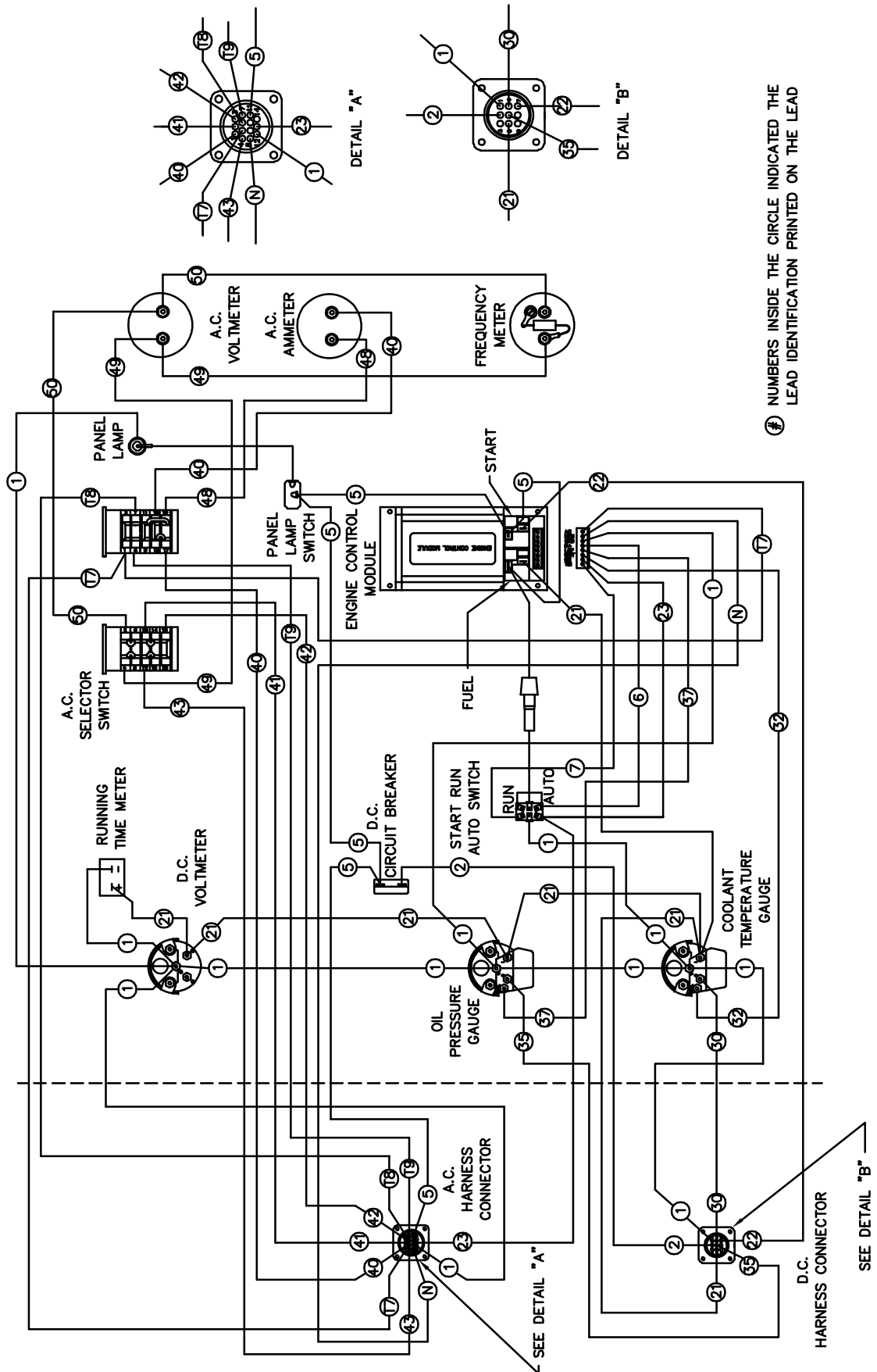
REF #	PART NUMBER	QTY	DESCRIPTION
1	52644-000	2	Self-tapping Screw
2	92789-000	1	Conduit Box
3	24749-000	1	Duplex Receptacle
4	16287-000	1	Battery Tender
5	59026-001	1	Recpt. Cover Plate

CONTROL PANEL WIRING DIAGRAM SINGLE PHASE



NUMBERS INSIDE THE CIRCLE INDICATED THE LEAD IDENTIFICATION PRINTED ON THE LEAD

CONTROL PANEL WIRING DIAGRAM THREE PHASE



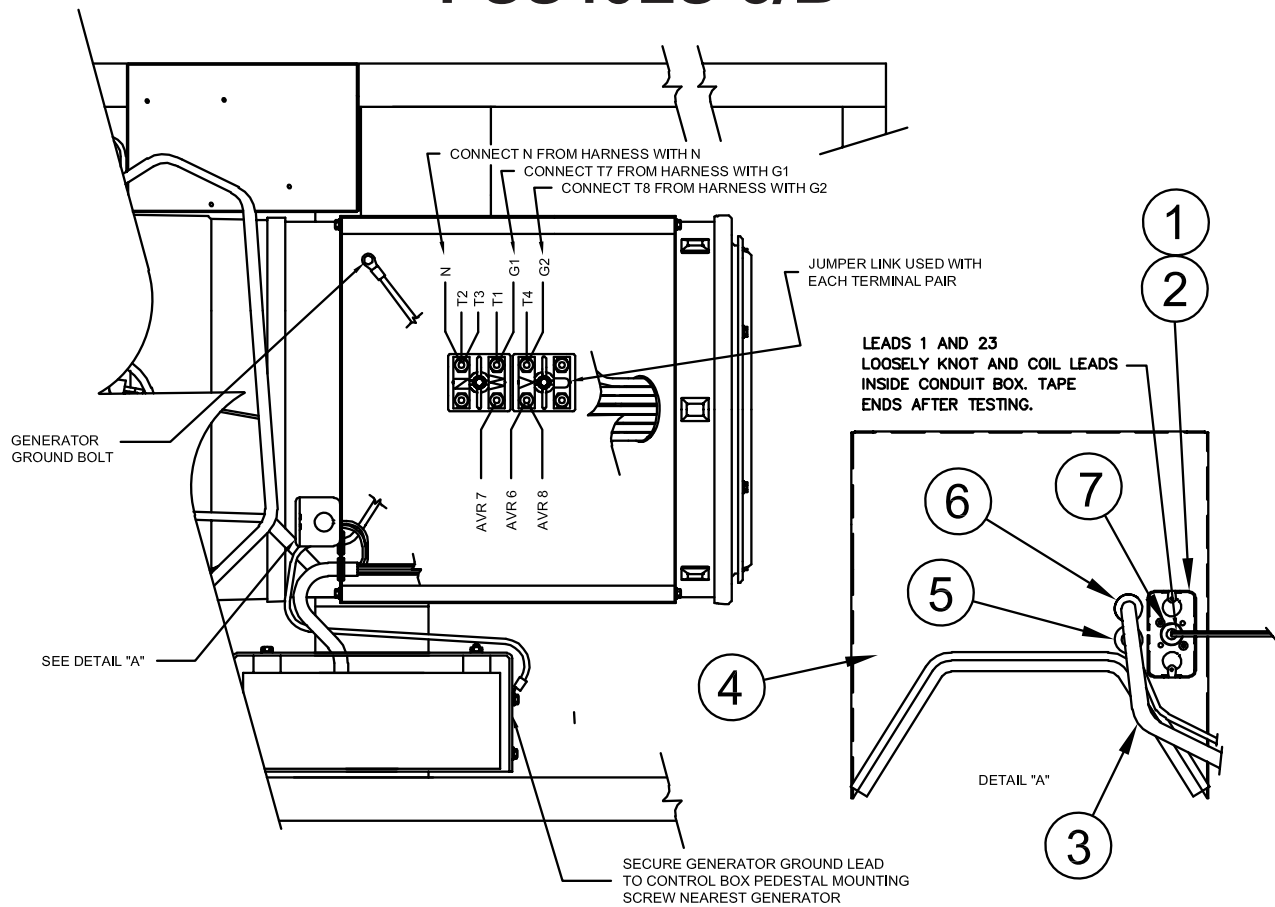
Ⓢ NUMBERS INSIDE THE CIRCLE INDICATED THE LEAD IDENTIFICATION PRINTED ON THE LEAD

SEE DETAIL "A"

SEE DETAIL "B"

AC WIRING INSTALLATION

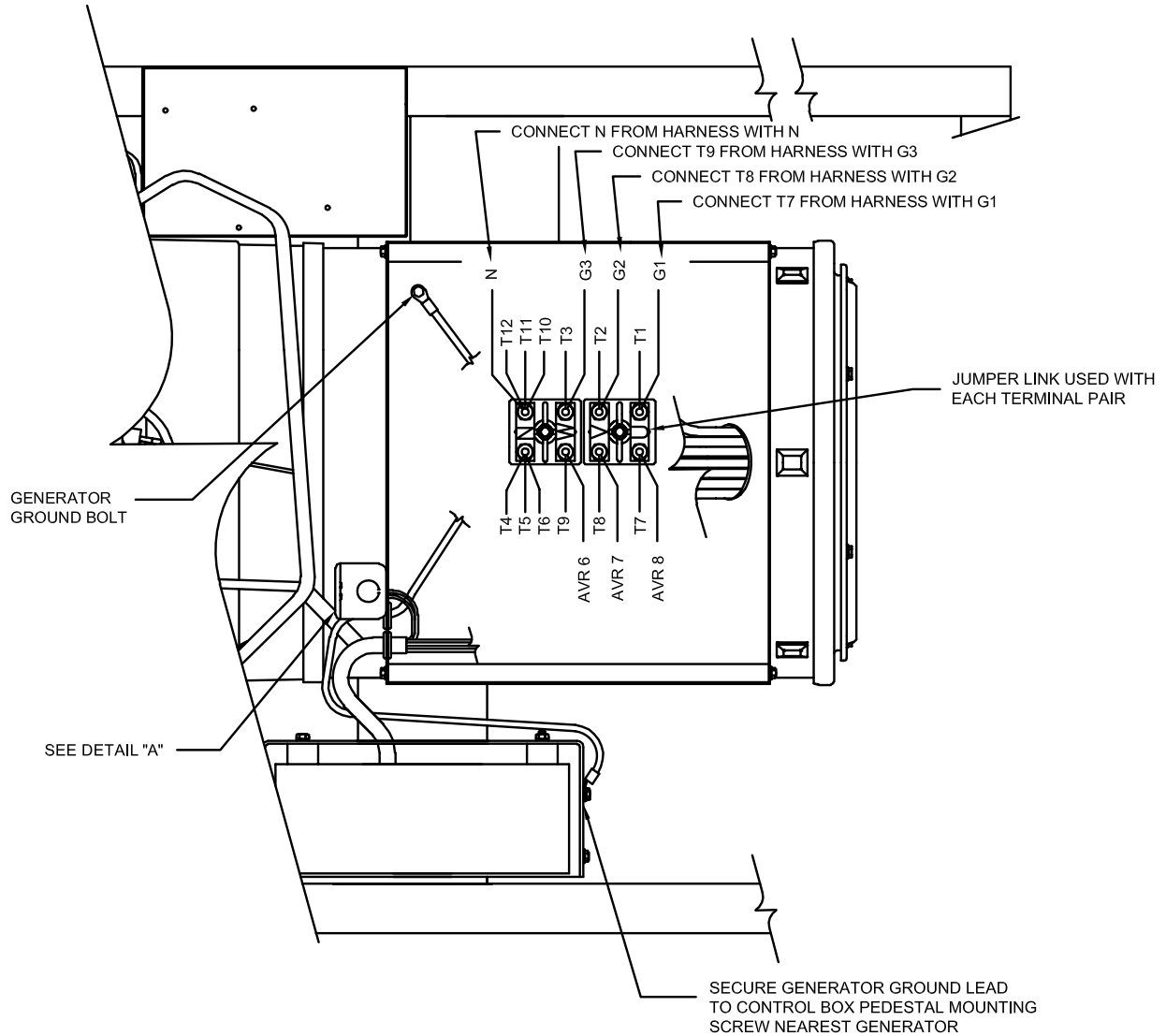
PSS40LS-3/B



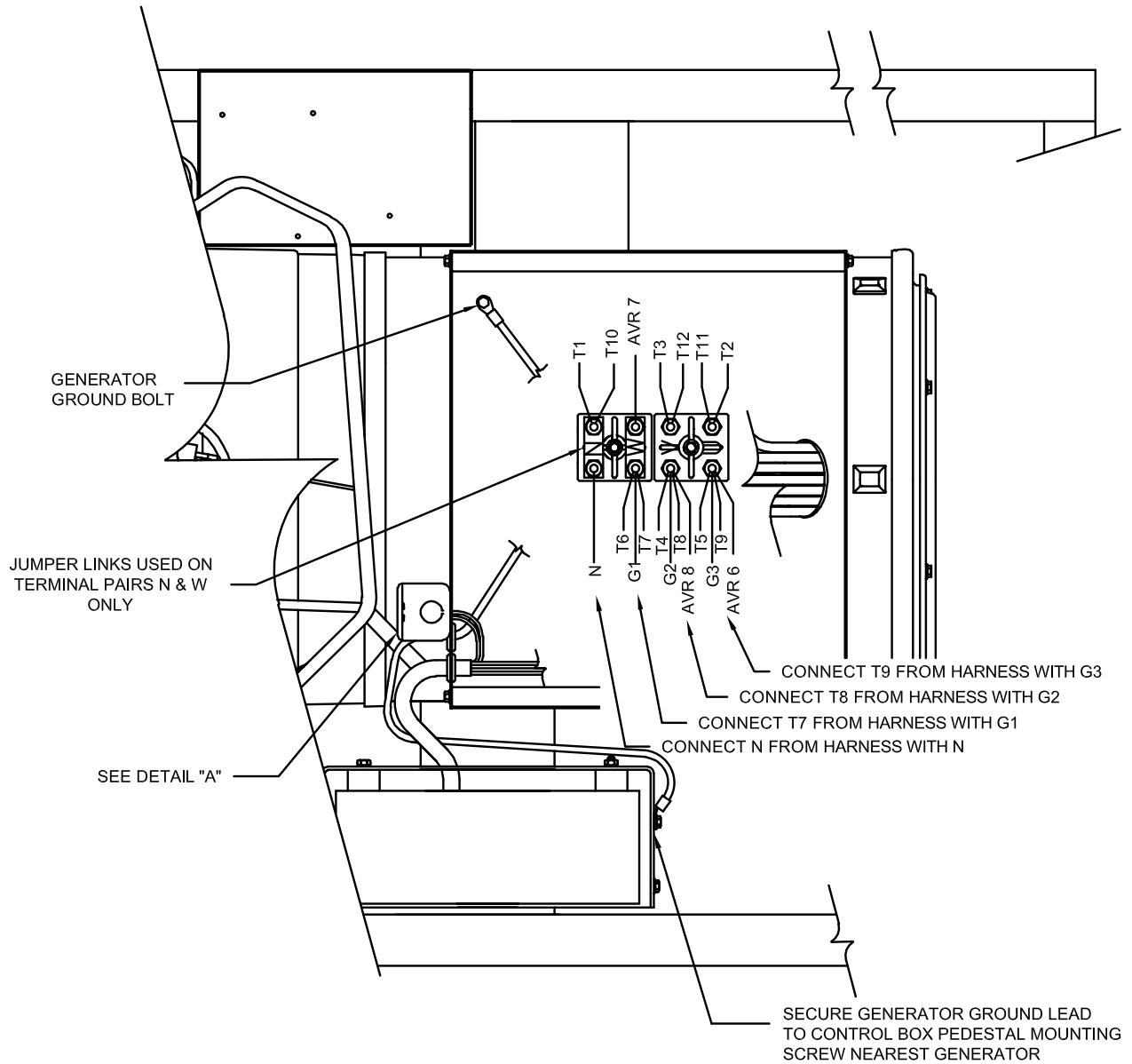
REF #	PART NUMBER	QTY	DESCRIPTION
1	92789-000	1	Conduit Box
2	59026-000	1	Conduit Box Cover
3	SEE TABLE	1	AC Harness Assembly
4	99731-005	1	Panel
5	23917-000	1	Grommet
6	62486-000	1	Grommet
7	40730-000	1	Grommet
NI	350818	1	Voltage Regulator SX460
NI	Not Illustrated		

MODEL #	PART #
PSS40LS-3/B	99347-004
PSS40LS-4/B PSS40LS-17/B PSS40LS-18/B	99347-005

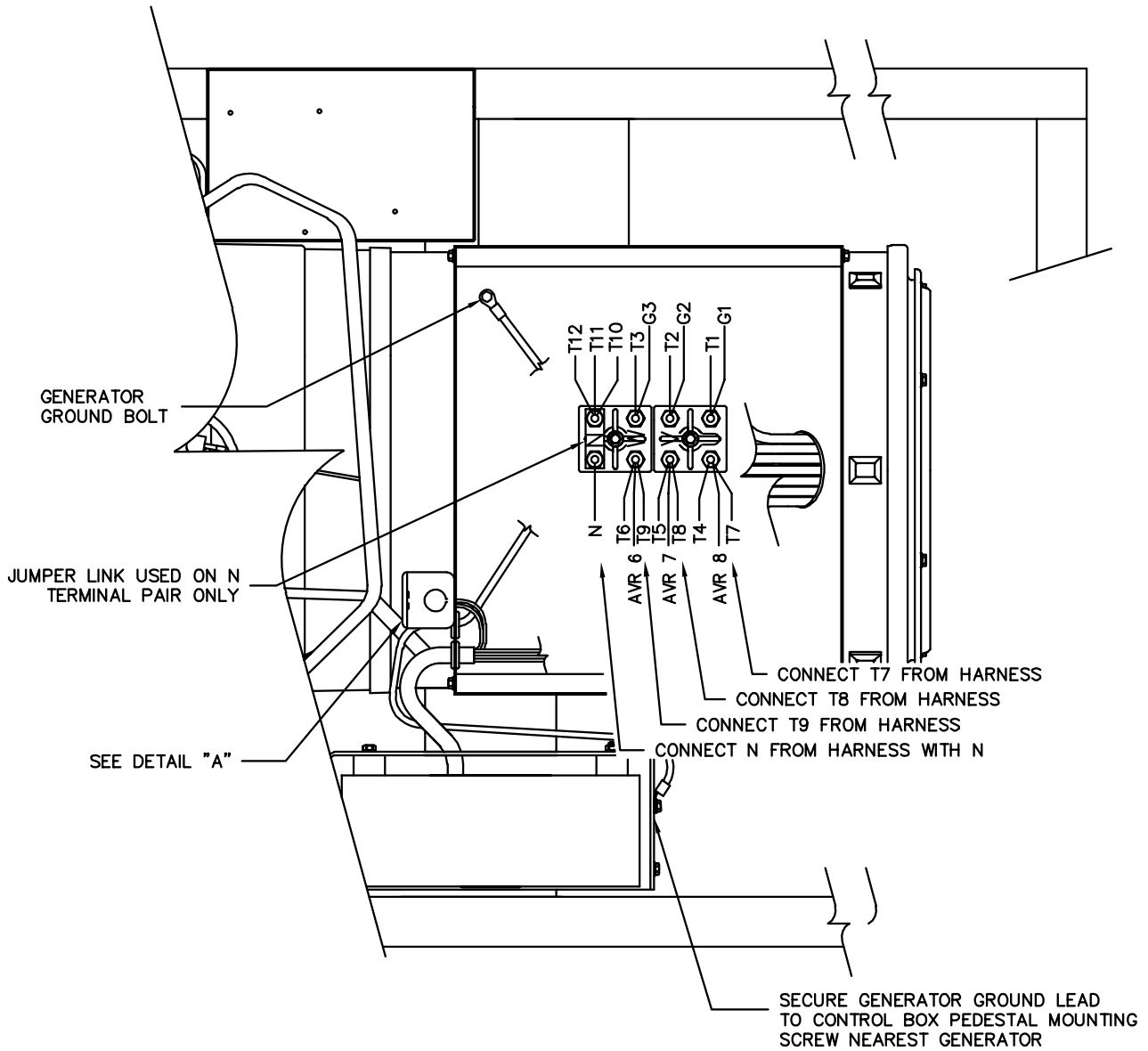
AC WIRING INSTALLATION PSS40LS-4/B



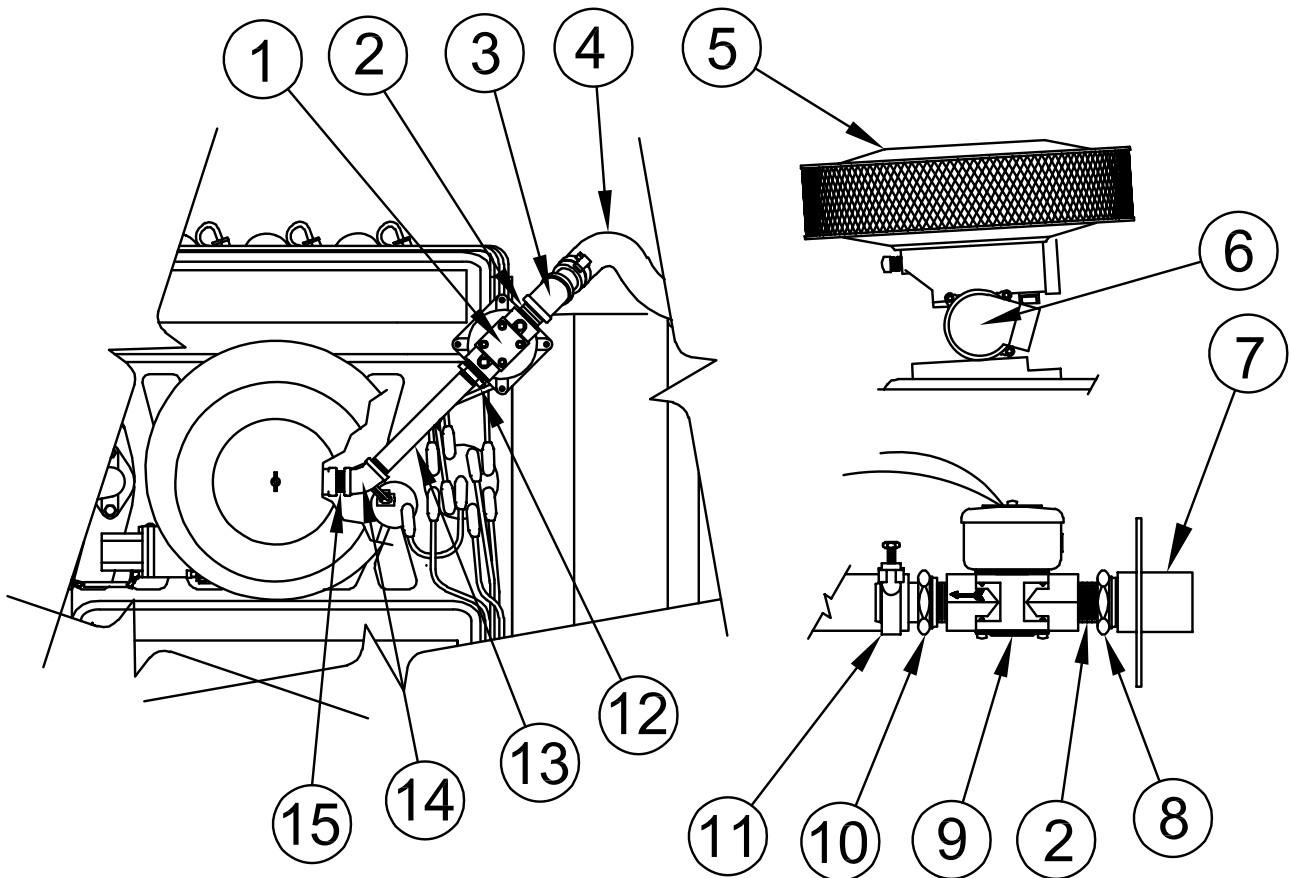
AC WIRING INSTALLATION PSS40LS-17/B



AC WIRING INSTALLATION PSS40LS-18/B



VAPOR FUEL SYSTEM ASSEMBLY

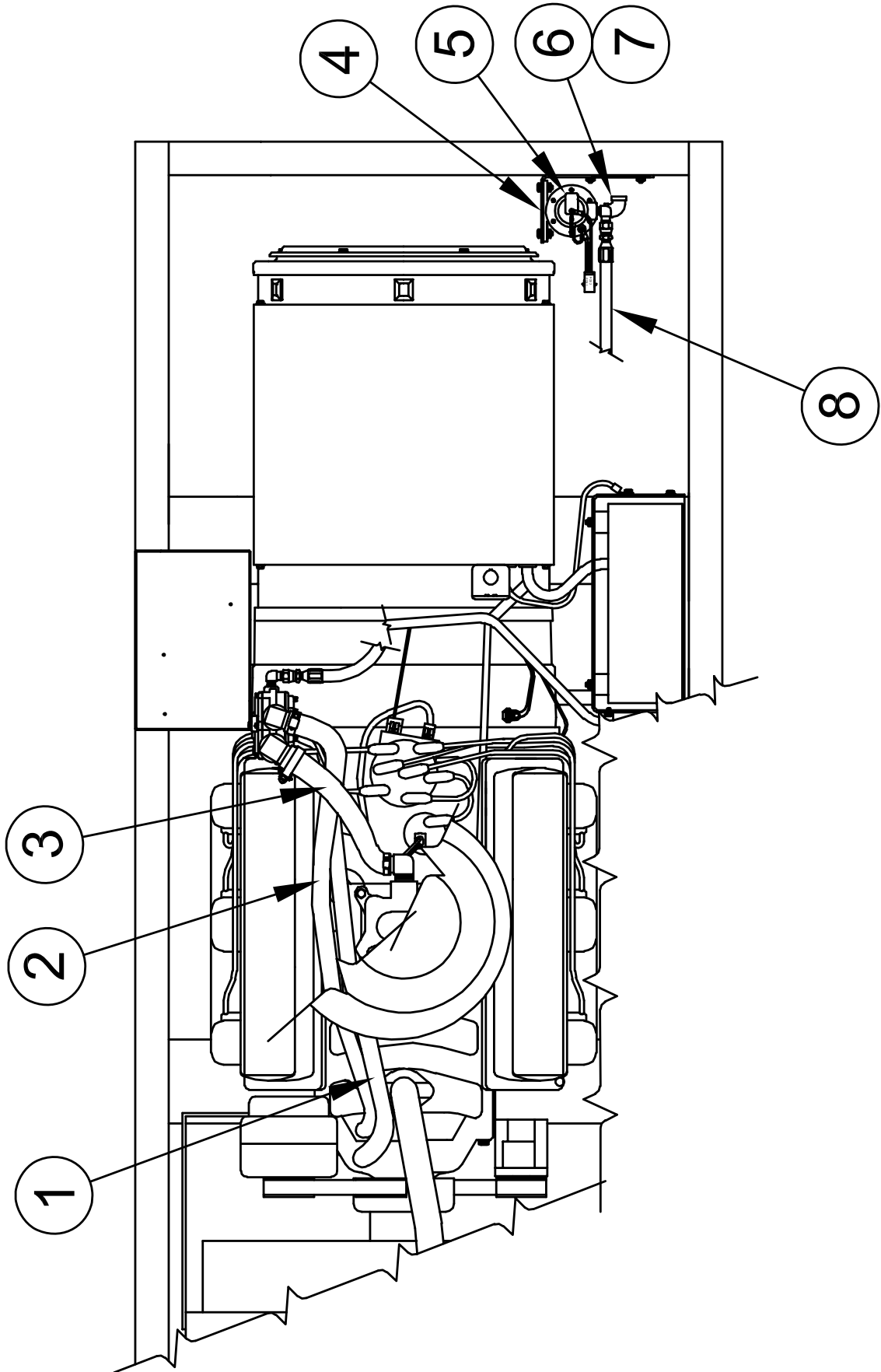


REF #	PART NUMBER	QTY	DESCRIPTION
1	50248-000	1	Regulator
2	22626-000	2	3/4" Pipe Nipple
3	56596-000	1	3/4" 45° Pipe Elbow
4	49409-015	50.5"	Hose
5	F1-8	1*	Air Filter
6	38900362	1**	"L" Series Governor
7	99065-000	1	Fuel Inlet Weldment
8	81077-000	1	1" M X 3/4" F Busing
9	42942-000	1	Solenoid
10	92388-004	2	3/4" X 1" Hose Fitting
11	50245-000	2	Hose Clamp
12	81075-000	1	3/4" X 1/2" Reducer
13	54074-001	1	3/4" X 3 1/2" Pipe Nipple
14	40072-000	1	1/2" 45° Pipe Elbow
15	22768-000	1	1/2" Pipe Nipple

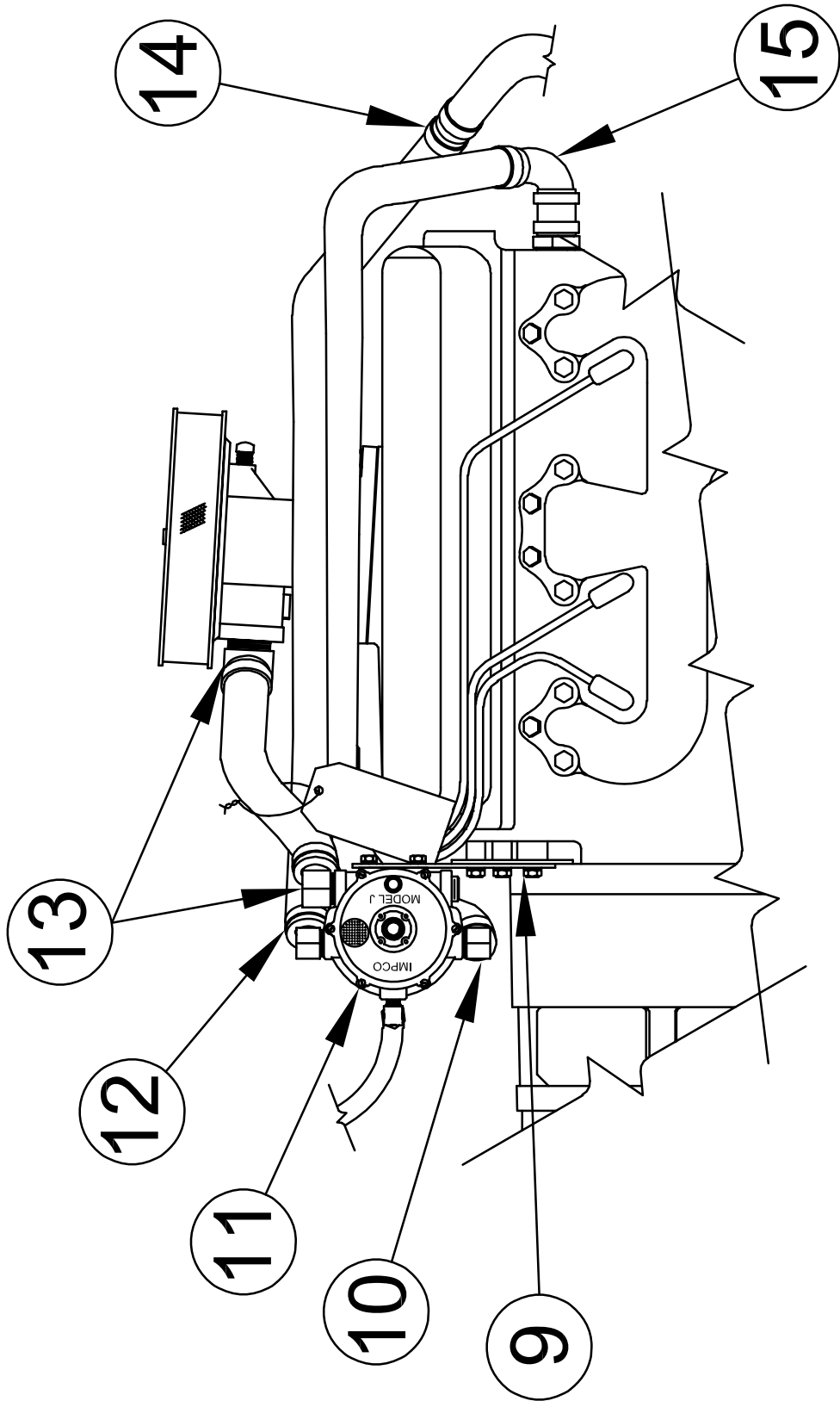
* Impco Part #

** PSI Part Number

LP LIQUID WITHDRAWAL ASSEMBLY



LP LIQUID WITHDRAWAL ASSEMBLY

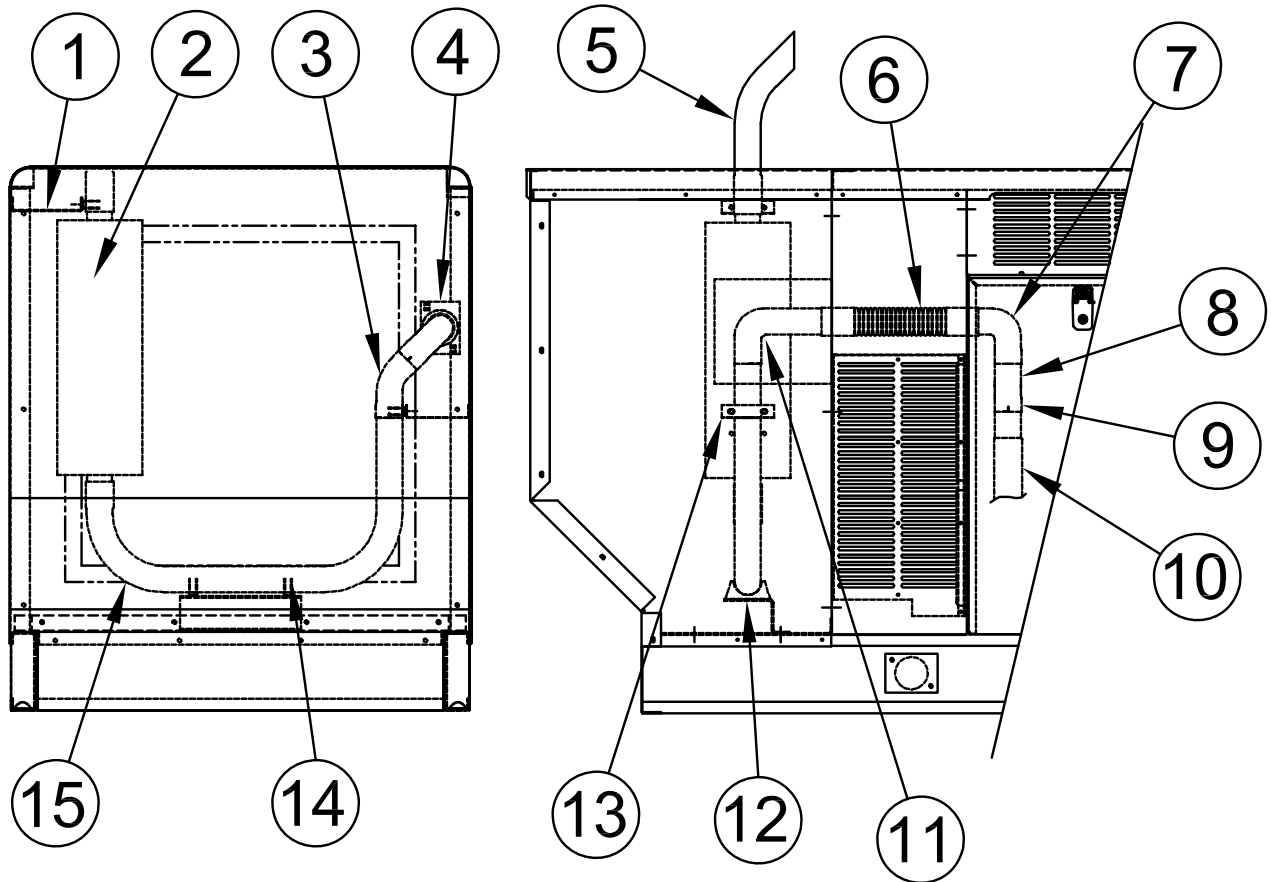


REF #	PART NUMBER	QTY	DESCRIPTION
1	93689-001	23"	5/8" Hose
2	93689-001	23"	5/8" Hose
3	93689-001	11"	5/8" Hose
4	99085-001	1	Fuel Cover Plate
5	99475-000	1	Solenoid
6	92533-000	1	1/4" 90° Elbow
7	81375-003	1	1/4" X 1 1/2" Pipe Nipple
8	92940-007	1	Hose Assembly
9	350217	1	Converter Mounting Bracket
10	92382-000	2	3/8" X 5/8" 90° Elbow
11	81636-000	1	Converter-Regulator
12	81018-005	8	Hose Clamp
13	92382-001	2	1/2" X 5/8" 90° Elbow
14	62274-001	1	5/8" Hose Coupler
15	62274-002	1	5/8" 90° Hose Coupler

DECALS

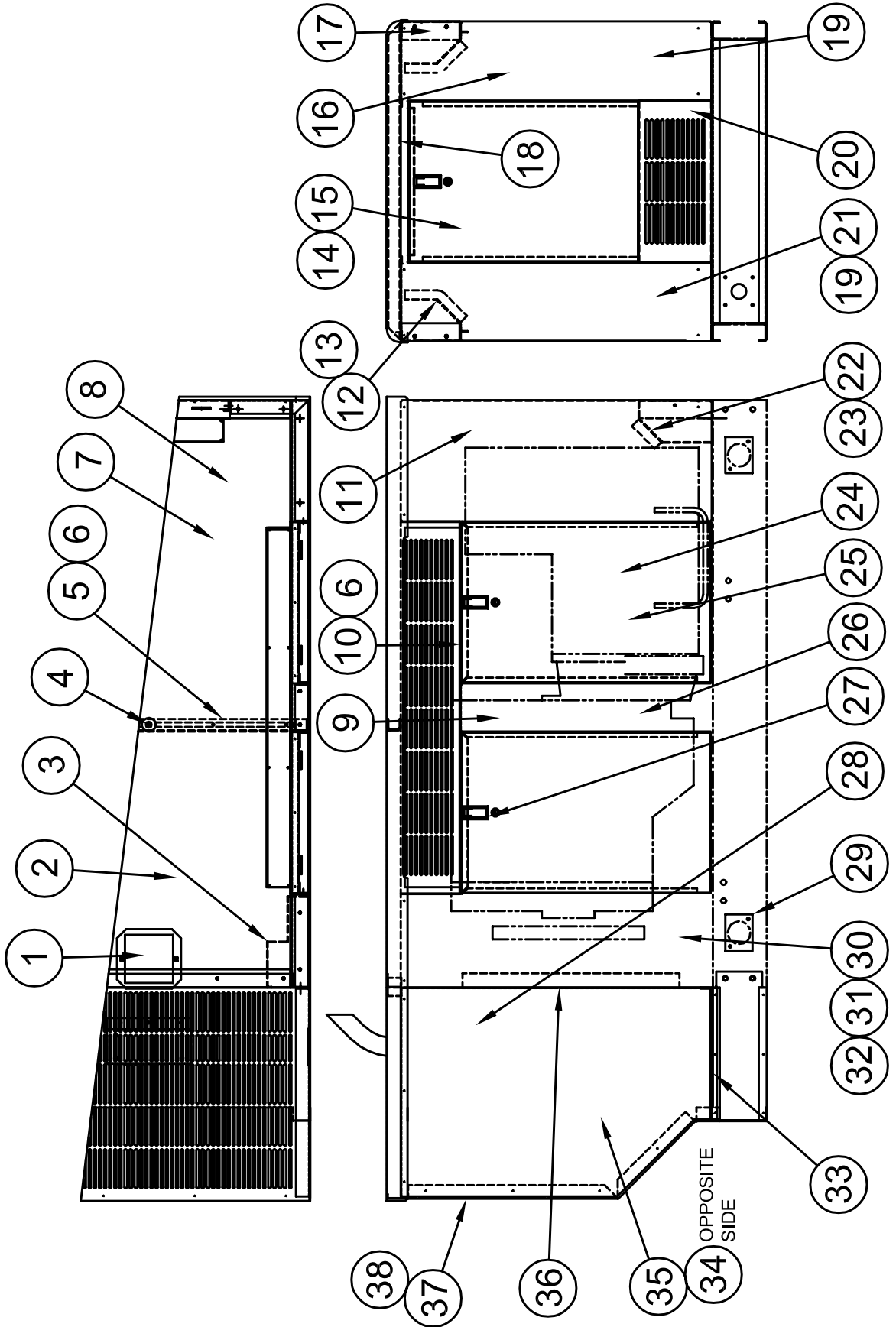
REF #	PART NUMBER	QTY	DESCRIPTION
NI	15750-001	1	Ground Decal
NI	97813-000	3	Auto Start Warning
NI	15209-000	1	Warning Decal
NI	56596-000	1	Fuel Decal
NI	56597-000	1	Fuel Decal
NI	63941-001	1	Hot Surface Decal
NI	64891-001	1	Electrical Code Decal
NI	63941-003	1	Battery Warning Decal
NI	Not Illustrated		

EXHAUST ASSEMBLY



REF #	PART NUMBER	QTY	DESCRIPTION
1	99291-001	1	Exhaust Support
2	80519-001	1	Muffler
3	97761-004	1	45° Elbow 2"
4	99060-002	1	Exhaust Cover Plate
5	99299-000	1	Tail Pipe
6	64743-001	1	Flex Exhaust
7	97761-003	1	90° Elbow 2"
8	97761-005	1	60° Elbow 2"
9	97274-000	11 FT	High Temperature Tape
10	94259-001	4 FT	Safety Wire
11	97761-002	1	90° Elbow 2"
12	99234-000	1	Exhaust Support
13	99291-002	1	Exhaust Support
14	93489-003	10	Muffler Clamp
15	99298-002	1	Exhaust Pipe

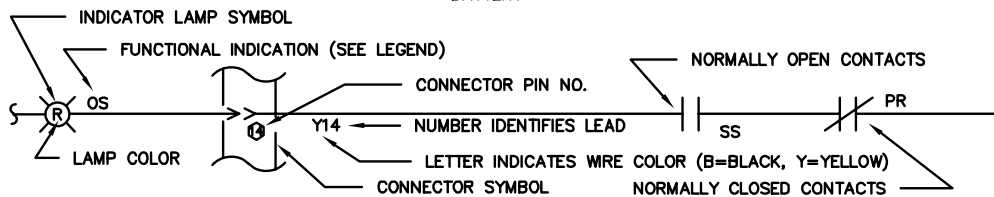
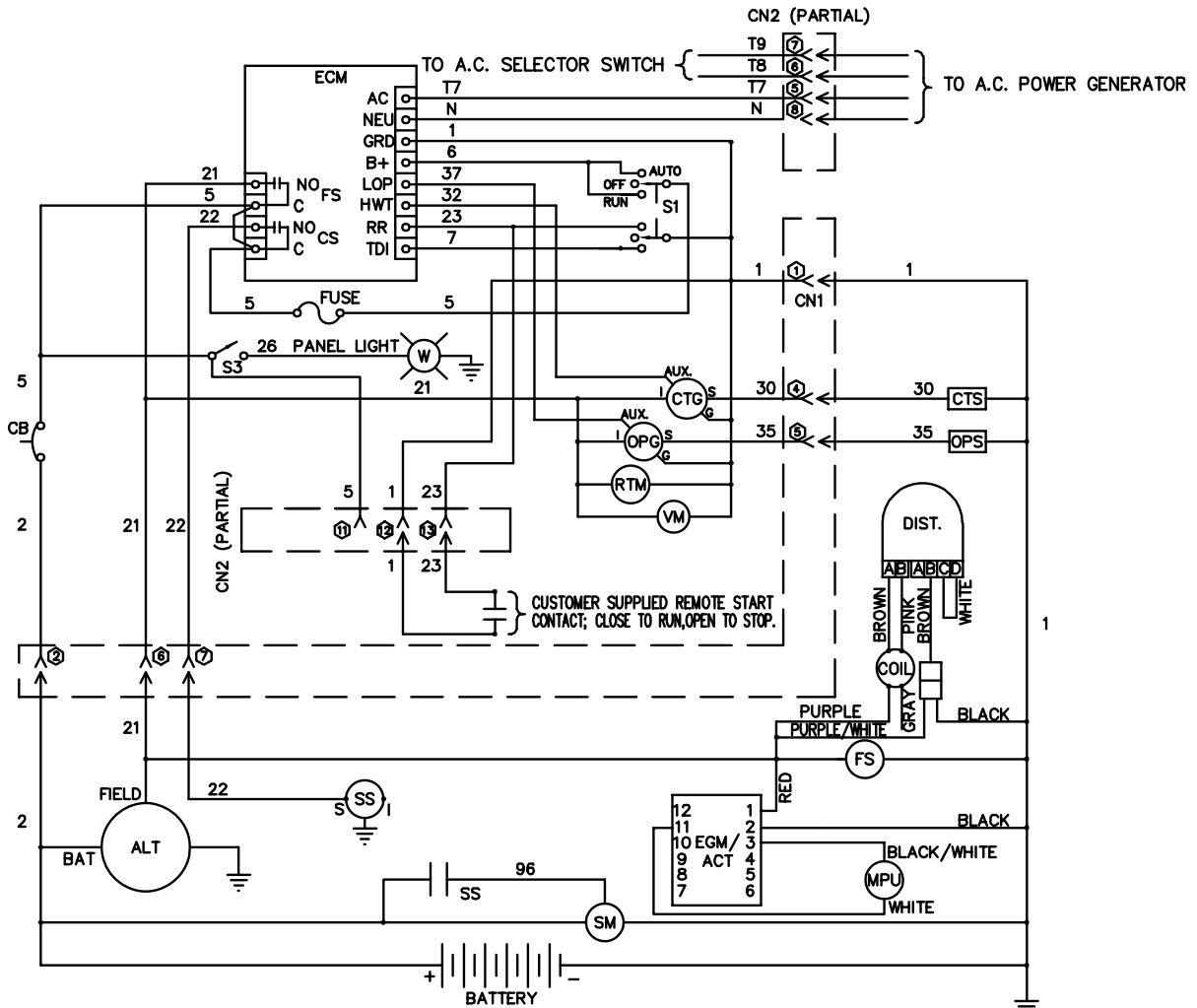
HOUSING ASSEMBLY



REF #	PART NUMBER	QTY	DESCRIPTION
1	62026-003	1	Cover Plate
2	99393-416	1	Foam Piece
3	99732-402	1	Reflective Foam Piece
4	62825-011	1	Spacer
5	99225-001	1	Roof Support
6	62912-000	39 FT	Foam Strip
7	99393-421	1	Foam Piece
8	99086-008	1	Roof
9	99066-000	2	Mullion
10	99224-000	4	Door Jam
11	99393-410	2	Foam Piece
12	99103-003	2	Backing Plate
13	99393-417	2	Foam Piece
14	15680-013	1	Rear Door
15	99393-413	1	Door Foam
16	99067-003	1	Right Rear Corner Post
17	99393-408	2	Foam Piece
18	99391-000	1	Roof End
19	99393-410	2	Foam Piece
20	99100-001	1	Rear Sill
21	99067-002	1	Left Rear Corner Post
22	99725-000	1	Sill Backing Plate
23	99393-414	1	Foam Piece
24	15680-009	4	Side Door
25	99393-412	4	Door Foam
26	99393-401	2	Foam Piece
27	95229-004	5	Door Latch
28	99732-403	1	Reflective Foam
29	99060-000	4	Base Cover Plate
30	99071-007	1	Housing Front
31	99732-401	1	Reflective Foam
32	99393-415	1	Foam Piece
33	99223-001	1	Air Chamber Floor
34	99392-003	1	Extension Panel
35	99392-002	1	Extension Panel
36	92421-001	8.67 FT	Foam Strip ¾"
37	99083-001	1	Front Panel
38	99393-406	1	Foam Piece

"LCS" SERIES GOVERNOR (ORIGINAL DESIGN)

DC WIRING SCHEMATIC

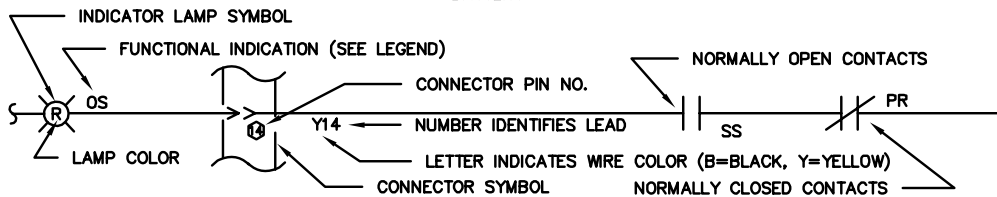
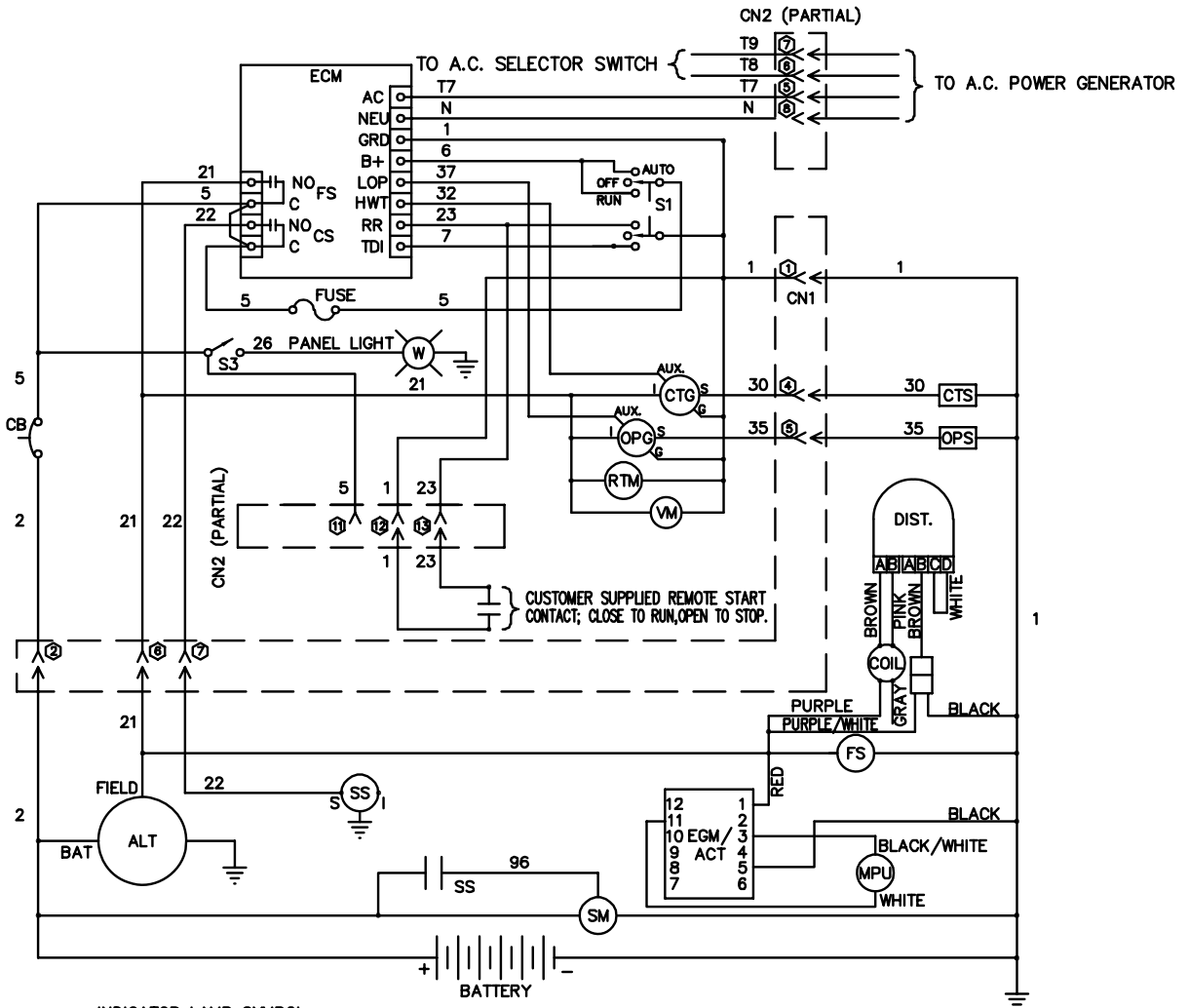


LEGEND

ALT	ALTERNATOR	OPG	OIL PRESSURE GAUGE
ACT	BATTERY CHARGER	OPS	OIL PRESSURE SENDER
BC	CIRCUIT BREAKER	OS	OVERSPEED INDICATOR LAMP
CB	CIRCUIT BREAKER	PR	PROTECTIVE RELAY, STARTER
CN1,CN2	WIRING HARNESS CONNECTORS	RTM	RUNNING TIME METER
CTG	COOLANT TEMPERATURE GAUGE	S1	ENGINE START MODE SWITCH
CTS	COOLANT TEMPERATURE SENDER	S3	PANEL ILLUMINATION LIGHT SWITCH
ECM	ENGINE CONTROL MODULE	S4	ENGINE SHUTDOWN INDICATOR LAMP
EGM/ACT	ELECTRONIC GOVERNOR MODULE / ACTUATOR	SS	ENGINE STARTER MOTOR SOLENOID
FS	FUEL SOLENOID	SM	ENGINE STARTER MOTOR
GND	GROUND (CHASSIS OR FRAME)	VM	D.C. VOLTMETER
MPU	MAGNETIC PICKUP UNIT		

“L” SERIES GOVERNOR (WITH NEW GOVERNOR REPLACEMENT)

DC WIRING SCHEMATIC



LEGEND

ALT	ALTERNATOR	OPG	OIL PRESSURE GAUGE
ACT	BATTERY CHARGER	OPS	OIL PRESSURE SENDER
BC	CIRCUIT BREAKER	OS	OVERSPEED INDICATOR LAMP
CB	WIRING HARNESS CONNECTORS	PR	PROTECTIVE RELAY, STARTER
CN1,CN2	COOLANT TEMPERATURE GAUGE	RTM	RUNNING TIME METER
CTG	COOLANT TEMPERATURE SENDER	S1	ENGINE START MODE SWITCH
CTS	ENGINE CONTROL MODULE	S3	PANEL ILLUMINATION LIGHT SWITCH
ECM	ELECTRONIC GOVERNOR MODULE / ACTUATOR	S4	ENGINE SHUTDOWN INDICATOR LAMP
EGM/ACT	FUEL SOLENOID	SS	ENGINE STARTER MOTOR SOLENOID
FS	GROUND (CHASSIS OR FRAME)	SM	ENGINE STARTER MOTOR
GND	MAGNETIC PICKUP UNIT	VM	D.C. VOLTMETER
MPU			