

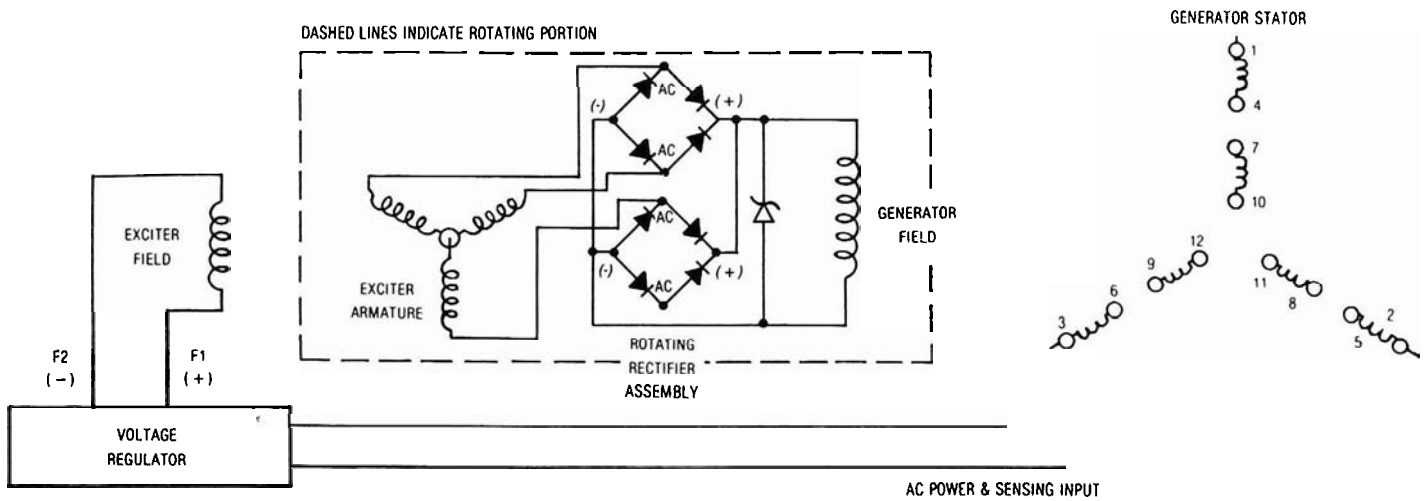
DYNA™ GENERATORS

65/85/100/125 KW SINGLE BEARING BRUSHLESS

400 DYNA FRAME I XTR

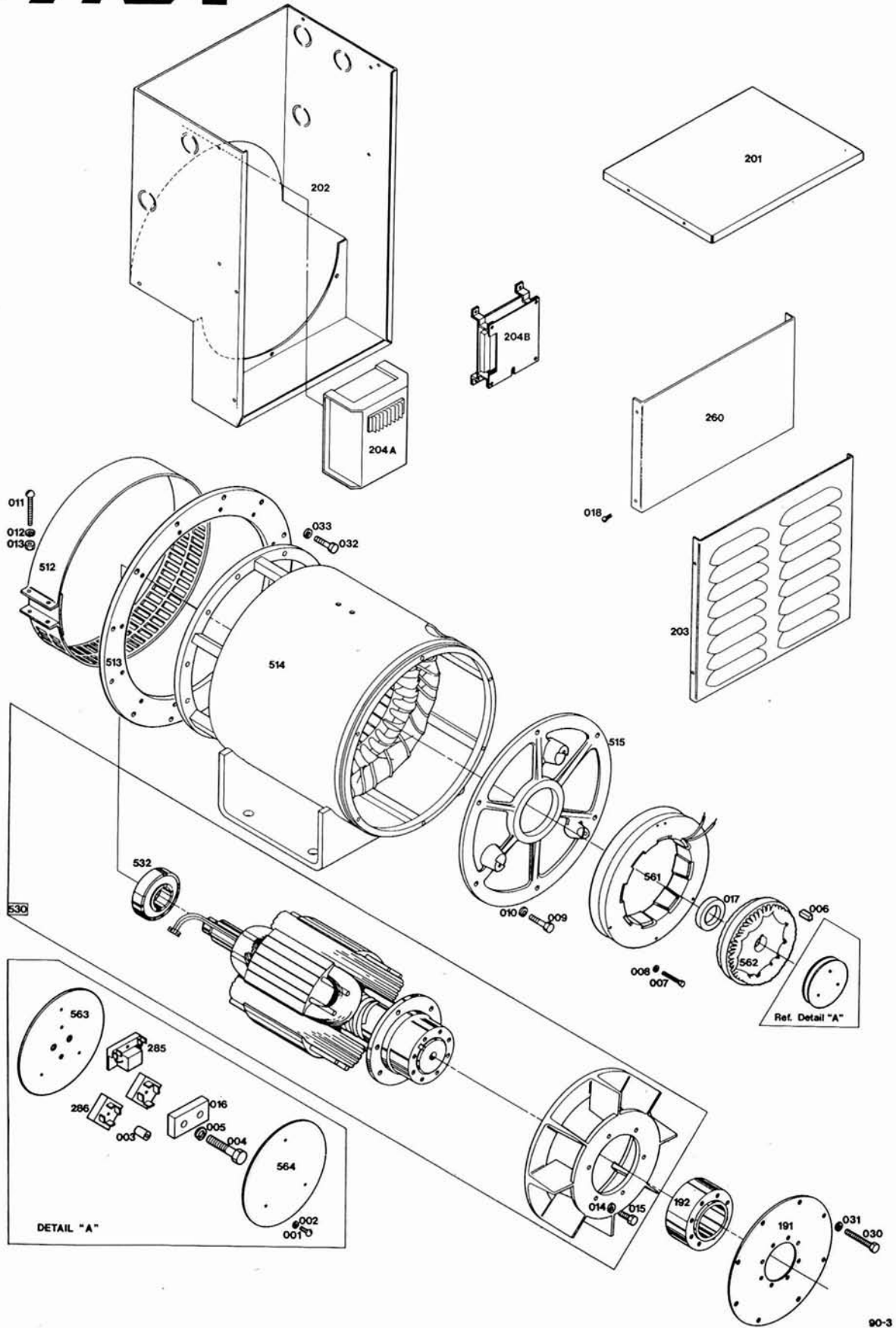
ILLUSTRATED PARTS LIST

12 WIRE, BROAD RANGE RECONNECTABLE



SCHEMATIC DIAGRAM

This IPL contains wiring, illustration, parts list, ordering information and technical data to perform routine maintenance on this generator. Consult factory with model no., serial no. and test data for further assistance.



**MODEL CSA65TD4G-23
MODEL CSA80TD4G-23
MODEL CSA100TD4G-23
MODEL CSA125TD4G-23**

REF. SYMB.	DYNA P/N	QTY.	DESCRIPTION	REF. SYMB.	DYNA P/N	QTY.	DESCRIPTION
001	42784	3	Screw 10-32 x 1/4	204A	81111-1	OPT	Voltage Regulator KR4FF
002	484	3	Lockwasher #10 Split	204B	92585-3	OPT	Voltage Regulator XR2004
003A	91454	3	Threaded Spacer	204**	81111-2	OPT	Rheostat—VR Adj.
003B	91331-11	3	Sleeving	204**	81762-2	OPT	Circuit Breaker— Field/VR Protect
004	93617-5	2	Cap Screw Hex Hd. 7/16-14 x 1 1/2	260	93160	1	Front Panel
005	90570-1	2	Lockwasher 7/16 Split	285	91455	1	Surge Suppressor
006	91430	1	Key 1/4 x 1/4 x 7/8 Long	286	91452	2	Rectifier
007	91431	3	Cap Screw Hex Hd. 1/4-28 x 2 3/4	512	92894	1	Cover Impeller
				513	92821	1	Adaptor
008	479	3	Lockwasher 1/4 Split	514A	92916-1	1	Shell & Stator—65 KW/3 PH
009	90569	6	Cap Screw Hex Hd. 7/16-14 x 1 1/2	514B	92916-2	1	Shell & Stator—80 KW/3 PH
				514C	92916-3	1	Shell & Stator—100 KW/3 PH
010	90570	6	Lockwasher 7/16 Split	514D	92916-4	1	Shell & Stator—125 KW/3 PH
011	639	2	Machine Screw Rd. Hd. 1/4-20 x 1 1/2	515	92760	1	Brg. Bracket—Exciter End
012	479	2	Lockwasher 1/4 Split	531A	92884-1	1	Rotor Assembly—65 KW
013	638	2	Hex Nut 1/4-20	531B	92884-2	1	Rotor Assembly—80 KW
014	481	6	Lockwasher 3/8 Split	531C	92884-3	1	Rotor Assembly—100 KW
015	3292	6	Cap Screw Hex Hd. 3/8-16 x 1	531D	92884-4	1	Rotor Assembly—125 KW
				532	92820	1	Bearing—Exciter End
016	93616	1	Exciter Retainer Bar	561	91665	1	Exciter Stator
018	53644	14	Screw, Sheet Metal # 10 Self Tapping	562A	91442	1	Exciter Rotor— 65, 80, 100 KW
201	93146	1	Cover	562B	91442-1	1	Exciter Rotor—125 KW Only
202	93149	1	Welded Box Assembly	563	91413	1	Rotating Rectifier Assembly
203	93159	1	Louvered Cover	564	91411-1	1	Cover (Rotating Rectifier)

**Not Illustrated

TABLE 4-I/SAE—STANDARD SAE ADAPTIONS

HOUSING/FLYWHEEL ADAPTION		DRIVE DISC (3)		DISC SPACER		CAPSCREWS		HSG ADAPTER		CAPSCREWS		"G" DIM (REF ONLY)
	PART #	REF 191	DIM	REF 192	DIM	REF 30	QTY	REF 513	DIM	REF 32	QTY	
SAE2/C110	93526-01	93504	12 3/8	92819-1	9/16	57580-3	6	NONE	17 5/8			2 1/8
SAE2/SP111	93526-02	93505	13 7/8	NONE		57580	6	NONE	17 5/8			1 9/16
SAE2/SP114	93526-07	93754	18 3/8	92819-4	7/16	57580	6	93756	17 5/8	91658-2	2*	1-0
SAE3/C110	93526-03	93504	12 3/8	92819-3	1 9/16	57580-7	6	92821	16 1/8	91658-2	12	2 1/8
SAE3/SP111	93526-04	93505	13 7/8	92819-2	1	57580-1	6	92821	16 1/8	91658-2	12	1 9/16
SAE1/SP111	93526-05	93505	13 7/8	92819-2	1	57580-1	6	93228	20 1/8	91658-2	12	1 9/16
SAE1/SP114	93526-06	93754	18 3/8	92819-4	7/16	57580	6	93228	20 1/8	91658-2	12	1-0

NOTE 1: REF 33—Use lockwasher #636 with capscrew number series 57580
Use lockwasher #481 with capscrew number series 91658

2: 2*—Used as a pilot retainer only

PARTS ORDERING INFORMATION REQUIRED



To fill your order for service parts, please advise the complete Generator model number and serial number, part number (s), and part description. If in doubt, consult the factory prior to placing the order. Send all parts orders to Dyna Technology, Inc., 225 Cordova Ave., Le Center, MN 56057.

TECHNICAL DATA

GENERATOR SPECIFICATIONS:

KW—65/80/100/125; Volts—120/139 Volt Coil Group; PF—0.8; PH—3/1; Hz—60; RPM—1800

Normal Voltage: 12/13 Lead Broad Range
Stator Output Reconnectable, Adjustable $\pm 10\%$

Residual Voltage:
50 Volts A.C. L to L; 25 Volts A.C. L to N

Resistance:	65 KW	80 KW	100 KW	125 KW
Exciter Field—F1-F2	25 ohms	25 ohms	25 ohms	25 ohms
Exciter Rotor	.35 ohms	.35 ohms	.35 ohms	.45 ohms
Rotating Field	2.6 .2 ohms	2.5 .2 ohms	3.37 .12 ohms	4.05 .1 ohms
Stator Main	.063 \pm .002 ohms	.048 \pm .003 ohms	.036 \pm .002 ohms	.022 \pm .001 ohms

Separately Excited:
12 VDC to Exciter Field: F1 Positive-F2 Negative
Approximately 200 Volts L to L; 100 Volts L to N

BASIC TEST PROCEDURE:

Refer to illustration for component location by Reference Number.
Example: No output—Check rectifiers, Reference Number 286.

Reference Number 563 is rotating rectifier assembly; there are two Reference Number 286 rectifiers mounted on rectifier assembly.

No Output:

- Check for loose or open connections.
- Check for residual voltage output, at Stator Terminals G1, G2, G3 and N.
- Check rectifiers, Reference Number 286.
- Check winding resistance, opens and grounds, Reference Numbers 514, 530, 561, and 562.
- Separately excite and check output.

Low Voltage—No Load:

- Check speed (1800 RPM nominal).
- Check generator load.
- Check for loose connections.
- Check rectifiers, Reference Number 286.
- Check winding resistance, Reference Numbers 561, 562, 514 and 530.

Low Voltage—Full Load:

- Check speed (1800 RPM nominal).
- Check generator load.
- Check for loose connections.
- Check winding resistance, Reference Numbers 561, 562, 514 and 530.