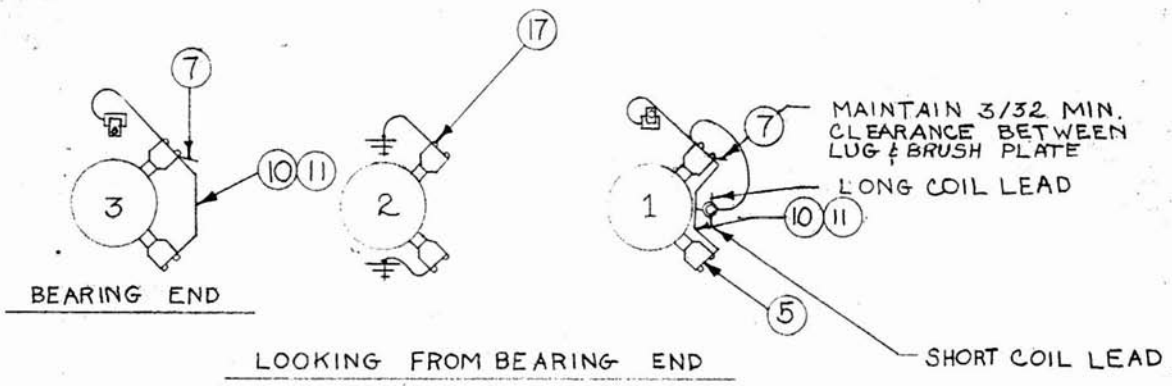
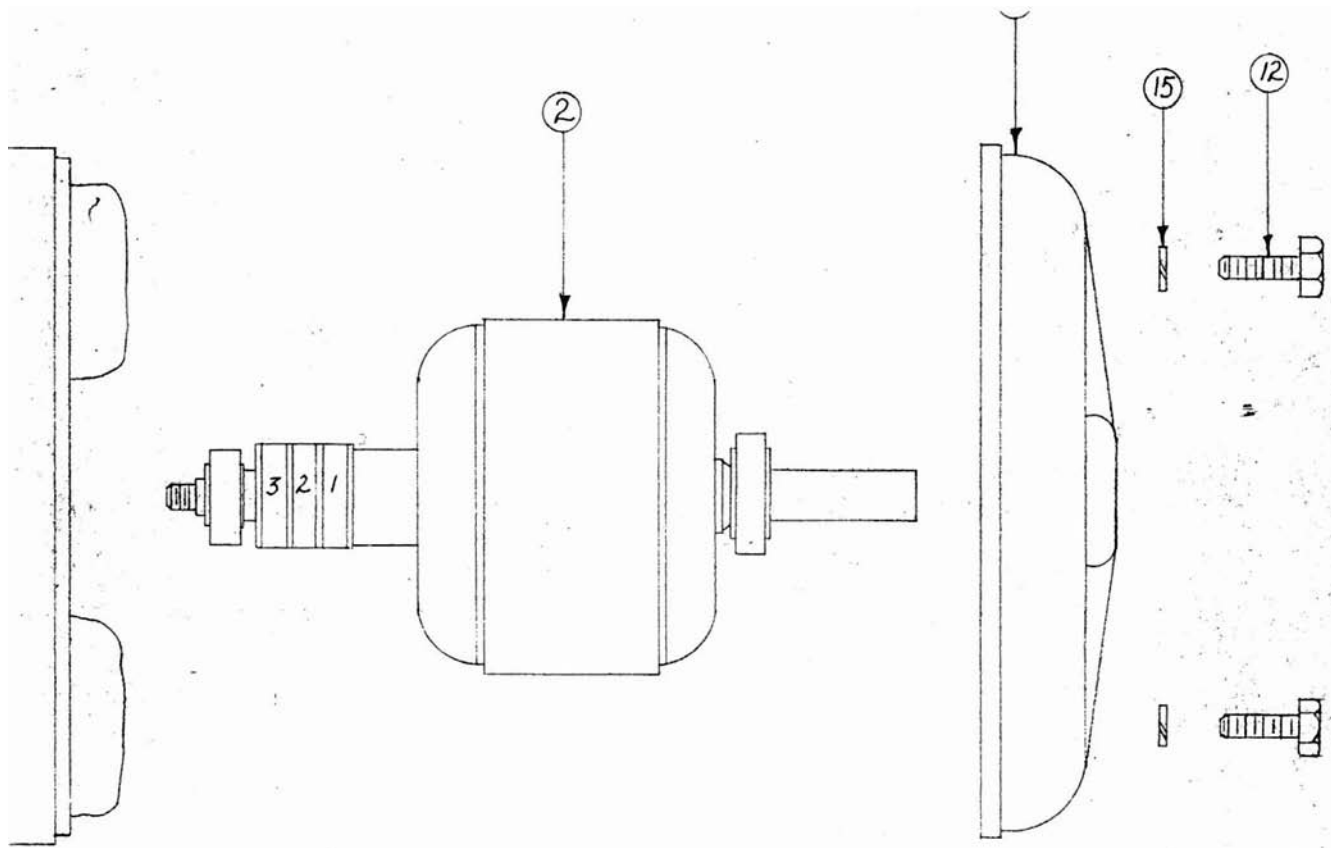


Wiring Diagram N/A
 Schematic Ref. #1
 Generator Parts N/A
 Unassembled C 58882
 Complete Unit
 Part # B 58881

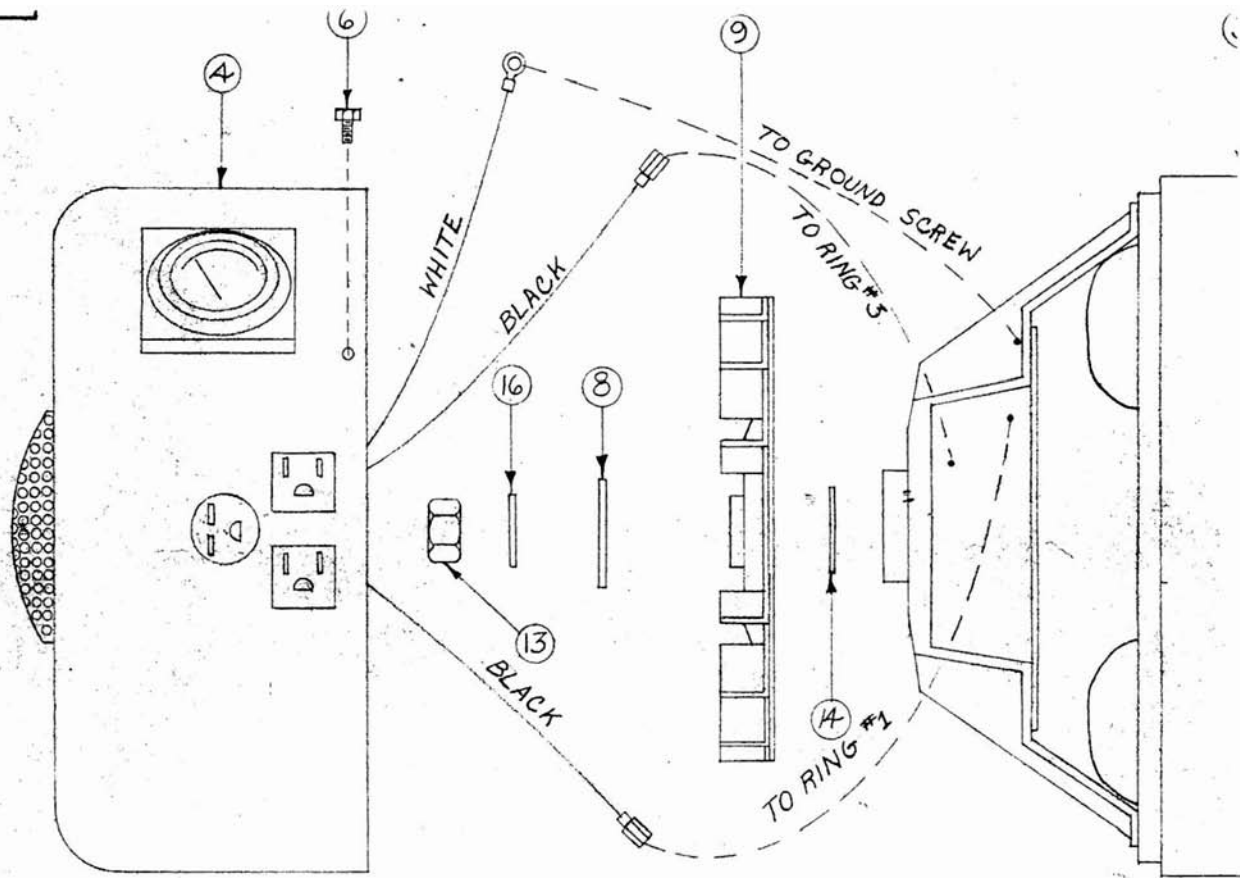
 REPAIR
 PARTS LIST
 #704

Size 3000 Watts
 Drive Two Bearing
 Type Four Pole
 Unit Model #3KS4PC-3/B

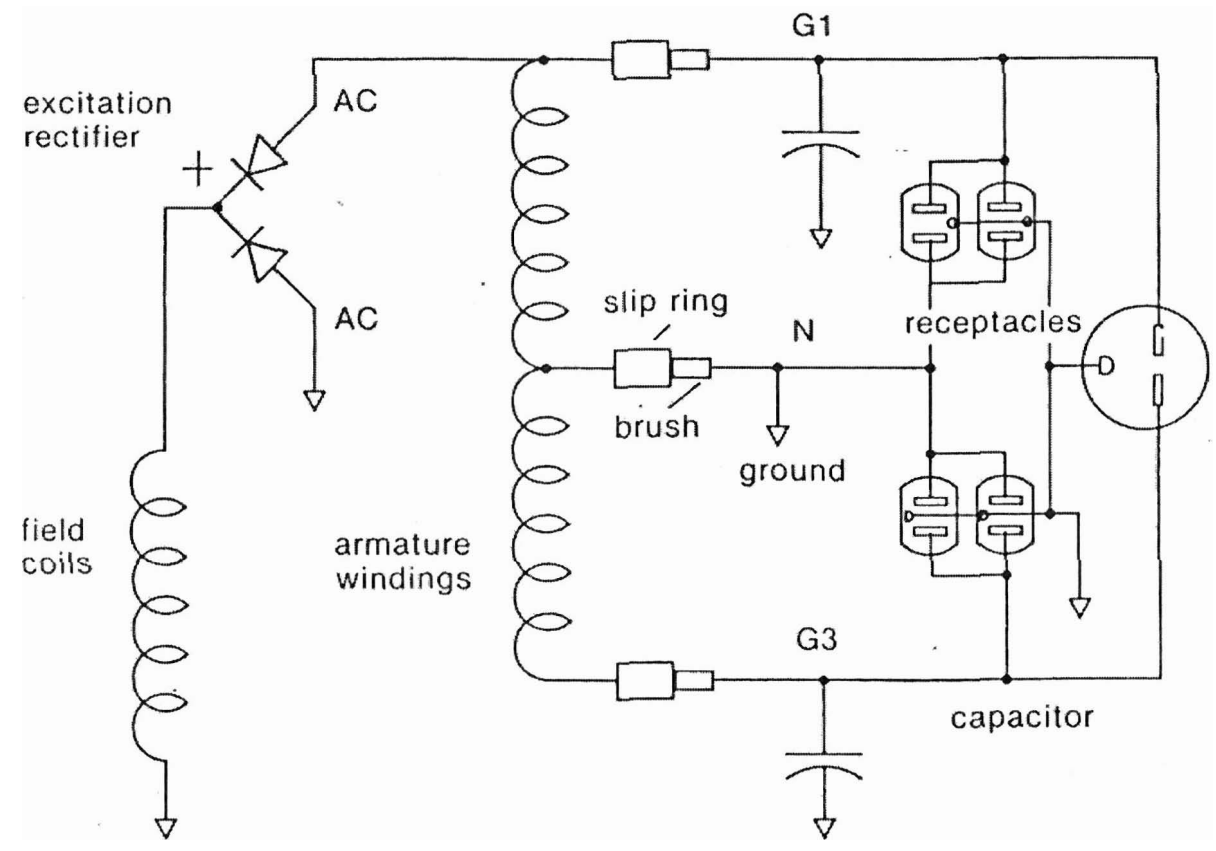
<u>DESCRIPTION</u>	<u>PART #</u>	<u>QTY.</u>
Armature	58911	1
Armature Bearing (Brush End)	46911	1
Armature Bearing (Shaft End)	8031	1
Fan Assy.	23404	1
Fan Washer	21867	1
Fan Lockwasher	40552	1
Fan Nut	9549	1
Field Coil	58218	1
Field Coil	58218-1	1
Field Coil	58218-2	1
Field Coil	58218-3	1
Shell & Bracket Assy.	55370	1
Pole Shoe	40091	4
Pole Shoe Retainer	40092	4
Engine Adaptor Bracket	40097	1
Adaptor Bracket Screw	9416	4
End Cover Assy.	56618	1
End Cover Receptacle	53636	2
End Cover Receptacle	55253	1
Brush Rack Assy. (Complete)	55262	1
A.C. Brush	23607	6
A.C. Brush Holder	59690	6
Brush Holder Plate	55107	1
A.C. Condenser	41221	1
Rectifier (Excitation)	91452	1
Base	24535	1



BRUSH RACK HOOK-UP DETAILS



excitation circuit power circuit output



SCHEMATIC WIRING DIAGRAM