

Schematic B91323
 Control Box
 Assy. C91258-6
 Complete Unit
 Part # D91276-8
*D91276-10

 REPAIR
 PARTS LIST
 #607

Size 35,000 Watts
 Unit
 Model # 35PTOC-4/A
(540 RPM)
*35FPTOC-4/A
(1000 RPM)

<u>DESCRIPTION</u>	<u>PART #</u>	<u>QTY.</u>	<u>DESCRIPTION</u>	<u>PART #</u>	<u>QTY.</u>
<u>GENERATOR</u>			<u>CONTROL BOX</u>		
Rotor Assy. Complete	91237	1	Bare Receptacle Panel	91358-1	1
Rotor Bearing			Circuit Breaker Main Line		
Fan End	91112	1	100 Amp, 3 Pole	82584-004	1
Rotor Bearing			Octopus Receptacle	91353	1
Brush End	91111	1	Octopus Plug	91352	1
Fan (Impeller)	91101	1	Allen Wrench	55002-2	1
Stator & Shell Assy.	91148-2	1	Receptacle (50A) (240V) (1 Ø)	57325	1
Brush	23607	4	Plug (50A) (240V) (1 Ø)	58230	1
Brush Holder	23500	4			
Rectifier	91452	1	Receptacle (15A) (120V) Duplex	24749	1
<u>GEAR BOX</u>					
Seal (Input Shaft) <i>Outer</i>	91247	1	Transformer (Forcing)	91187-1	1
Gear (Drive Input) (540 RPM)	91118*	1	Voltmeter	91374	1
Pinion (540 RPM)	91225**	1			
Gasket	91104	1			
Seal (Gen. Shaft) <i>Inner</i>	91116	1			
Bearing (Gear Box)	91250	2			
Shaft (Drive Input)	91344	1			
Vent Plug	40716	1			
Shaft Safety Shield	91171	1			

NOTE - for 35FPTOC-4/A, 1000 RPM

*Gear (Drive Input) 91248 1
 **Pinion 91224 1



Division of Dyna Technology, Inc.
 225 South Cordova St. / LE CENTER, MINNESOTA 56057
 Phone: (612) 357-6821

RPL# 607

Feb. 78

PTO GENERATOR SCHEMATIC

91323

Page 1 of 2

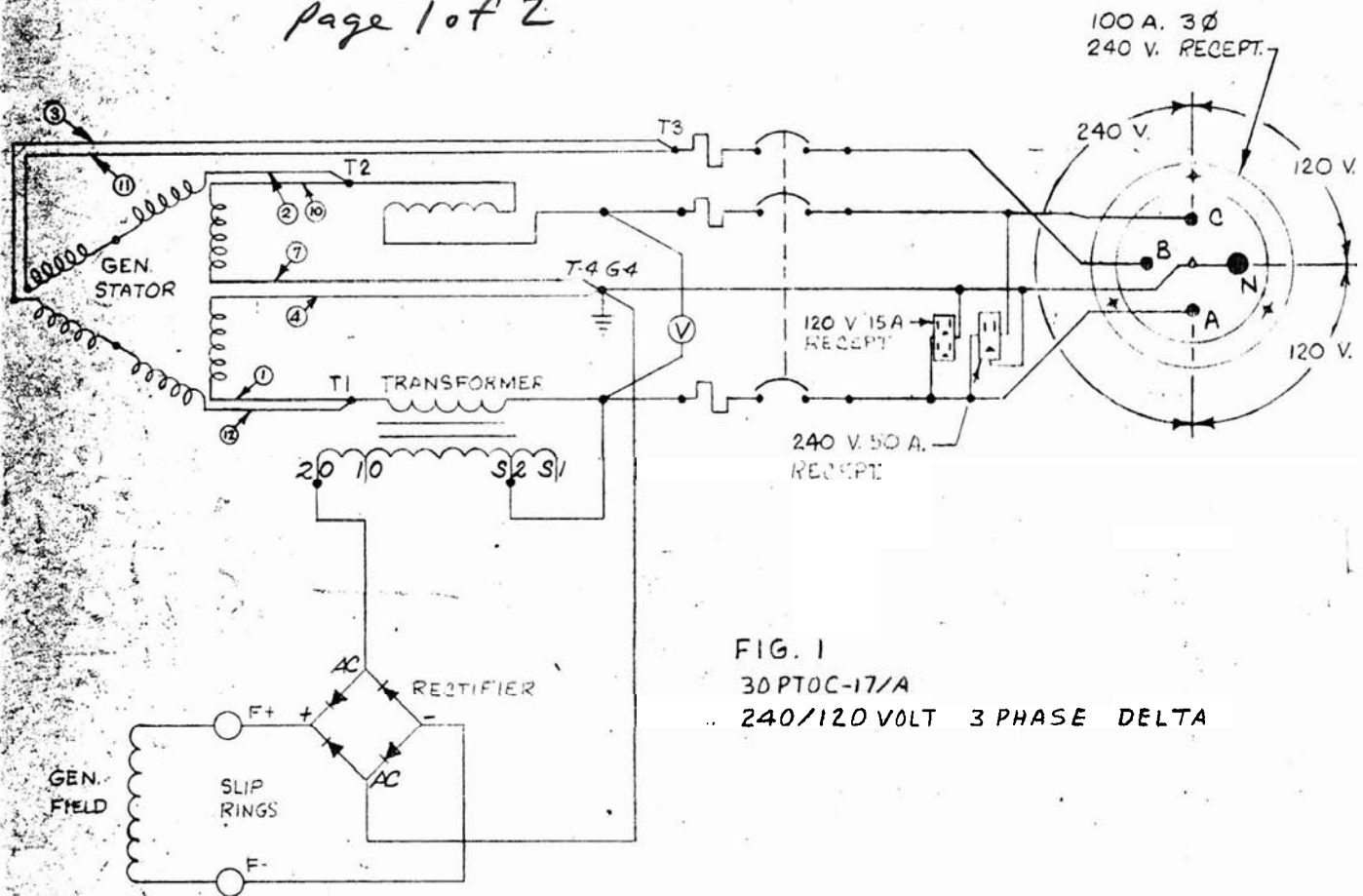


FIG. 1
30PTOC-17/A
240/120 VOLT 3 PHASE DELTA

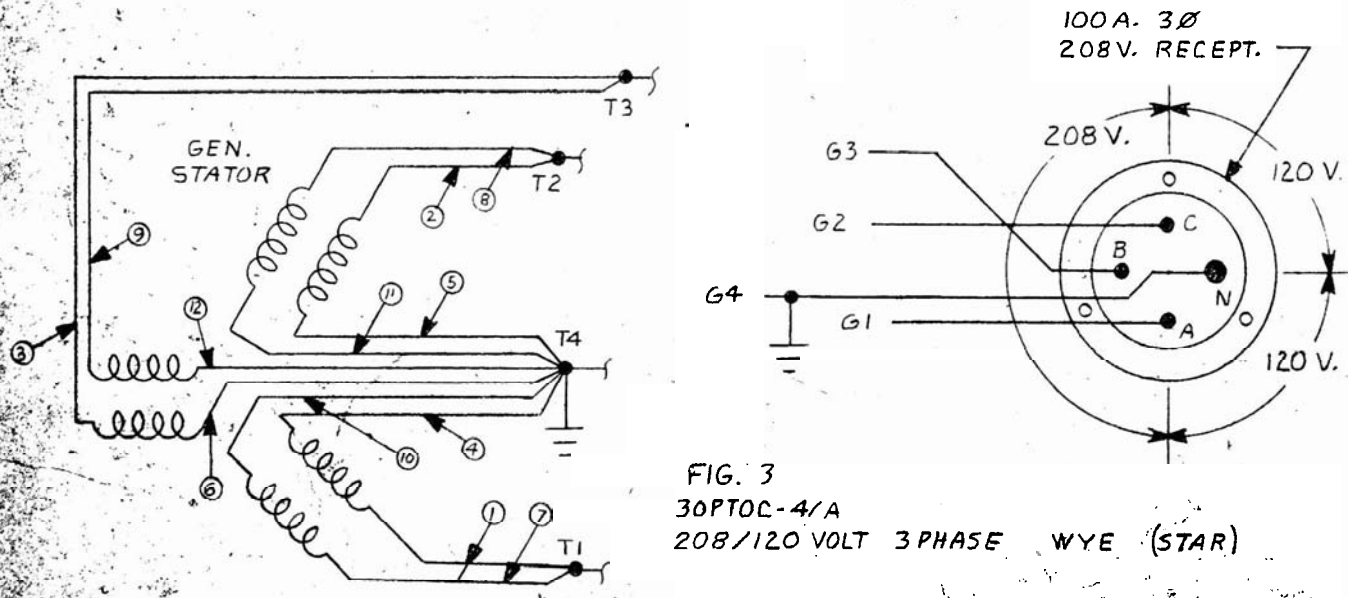


FIG. 3
30PTOC-4/A
208/120 VOLT 3 PHASE WYE (STAR)

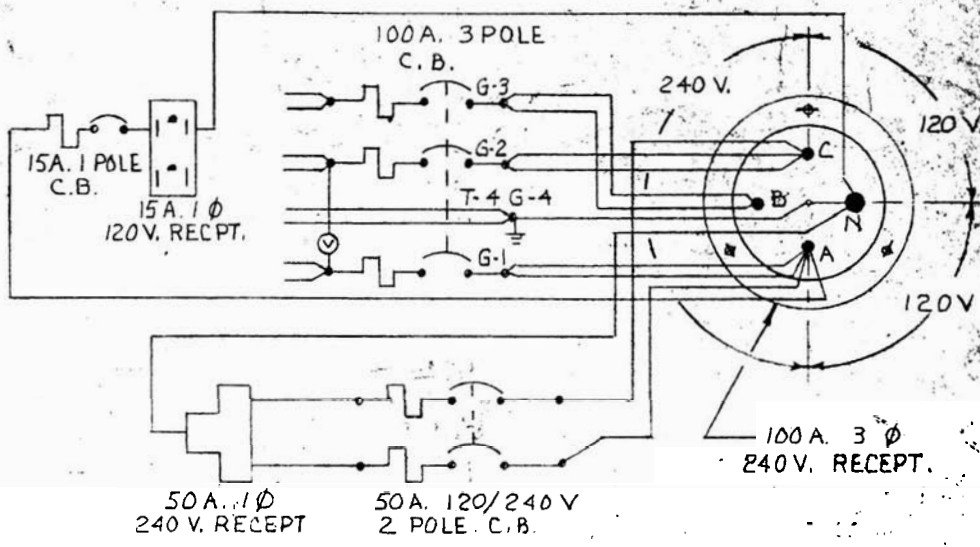


FIG. 2
CSA 30PTOC-17/A

91323
page 2 of 2

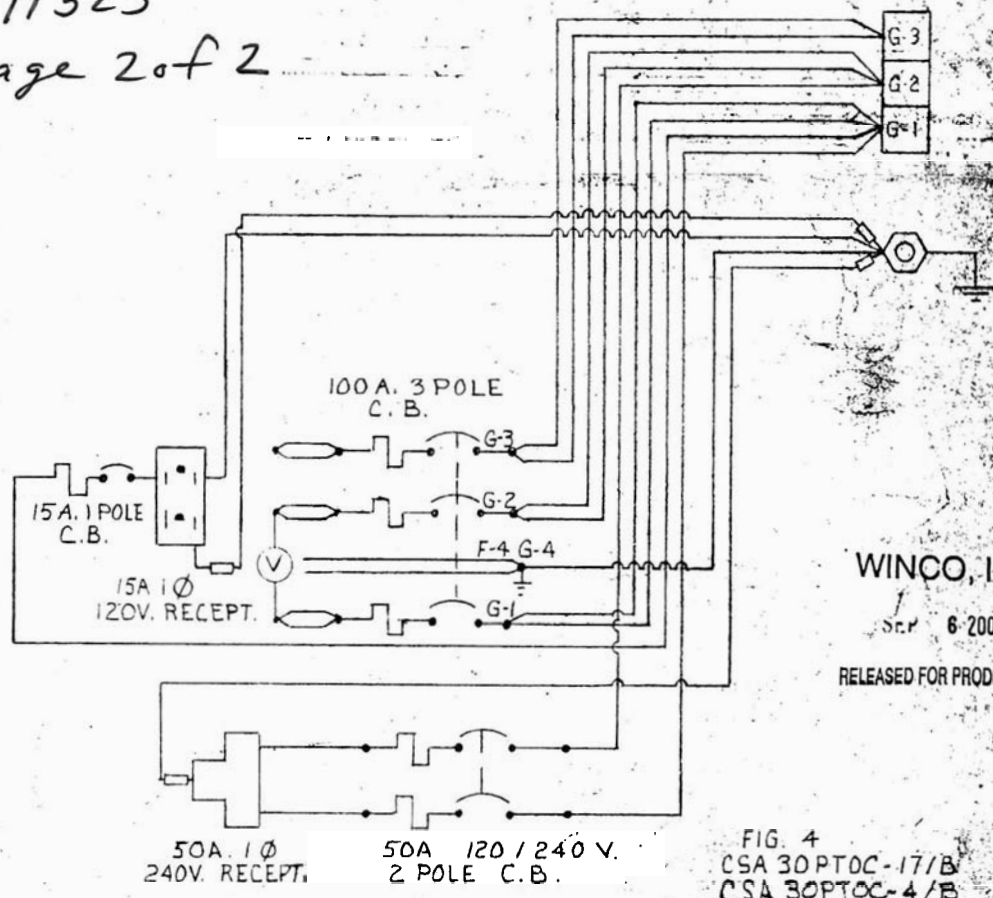


FIG. 4
CSA 30PTOC-17/B
CSA 30PTOC-4/B

WINCO, INC
SER. 6-2000
RELEASED FOR PRODUCTION