

Schematic B91323
 Control Box
 Assy. C91258-2
 Complete Unit
 Part # D91276
D91276-1

 REPAIR
 PARTS LIST
 #603

Size 35,000 Watts
 Unit
 Model # 35PTOC-17/A
(540 RPM)
*35FPTOC-17/A
(1000 RPM)

<u>DESCRIPTION</u>	<u>PART #</u>	<u>QTY.</u>	<u>DESCRIPTION</u>	<u>PART #</u>	<u>QTY.</u>
<u>GENERATOR</u>			<u>CONTROL BOX</u>		
Rotor Assy. Complete	91237	1	Bare Receptacle Panel	91358	1
Rotor Bearing			Circuit Breaker Main Line		
Fan End	91112	1	100 Amp, 3 Pole	82584-004	1
Rotor Bearing			Octopus Receptacle	91353	1
Brush End	91111	1	Octopus Plug	91352	1
Fan (Impeller)	91101	1	Allen Wrench	55002-2	1
Stator & Shell Assy.	91148-1	1	Receptacle (50A)		
	<i>91273-000</i>		(240V) (1 Ø)	57325	1
Brush <i>Stator only</i>	23607	4	Plug (50A)		
Brush Holder	23500	4	(240V) (1 Ø)	58230	1
Rectifier	91452	1	Receptacle (15A)		
			(120V) Duplex	24749	1
<u>GEAR BOX</u>			Transformer		
Seal (Input Shaft)	91247	1	(Forcing)	91187-1	1
Gear (Drive Input)	91118*	1	Voltmeter	91370	1
(540 RPM)					
Pinion					
(540 RPM)	91225**	1			
Gasket	91104	1			
Seal (Gen. Shaft)	91116	1			
Bearing	91250	2			
Shaft (Drive Input)	91344	1			
Vent Plug	40716	1			
Shaft Safety Shield	91171	1			
NOTE - for 35FPTOC-17/A, 1000 RPM					
*Gear (Drive Input)	91248	1			
**Pinion	91224	1			



Division of Dyna Technology, Inc.
 225 South Cordova St. / LE CENTER, MINNESOTA 56057
 Phone: (612) 357-6821

RPL#603

Feb. 78

PTO GENERATOR SCHEMATIC

91323

Page 1 of 2

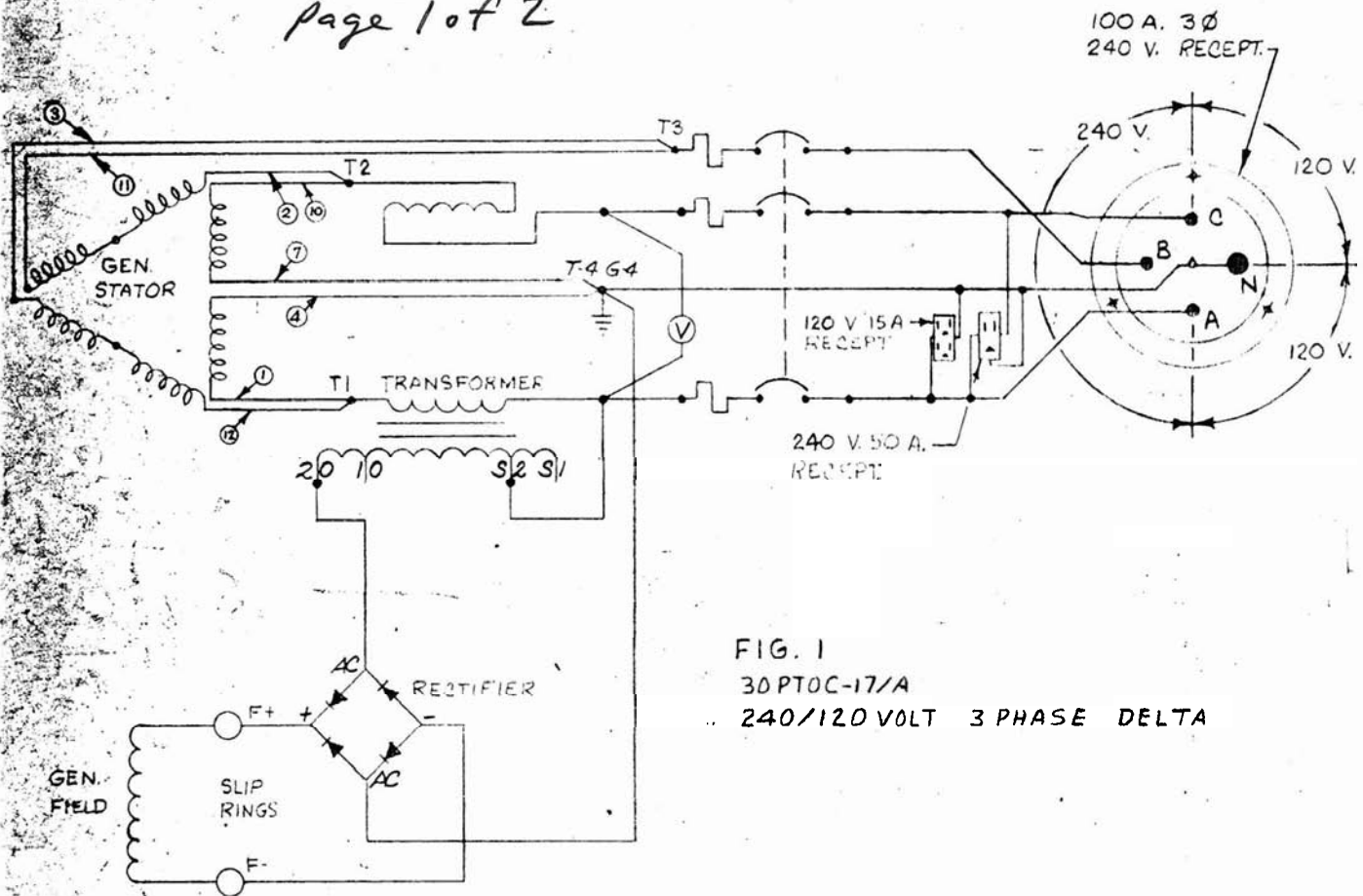


FIG. 1
30PTOC-17/A
240/120 VOLT 3 PHASE DELTA

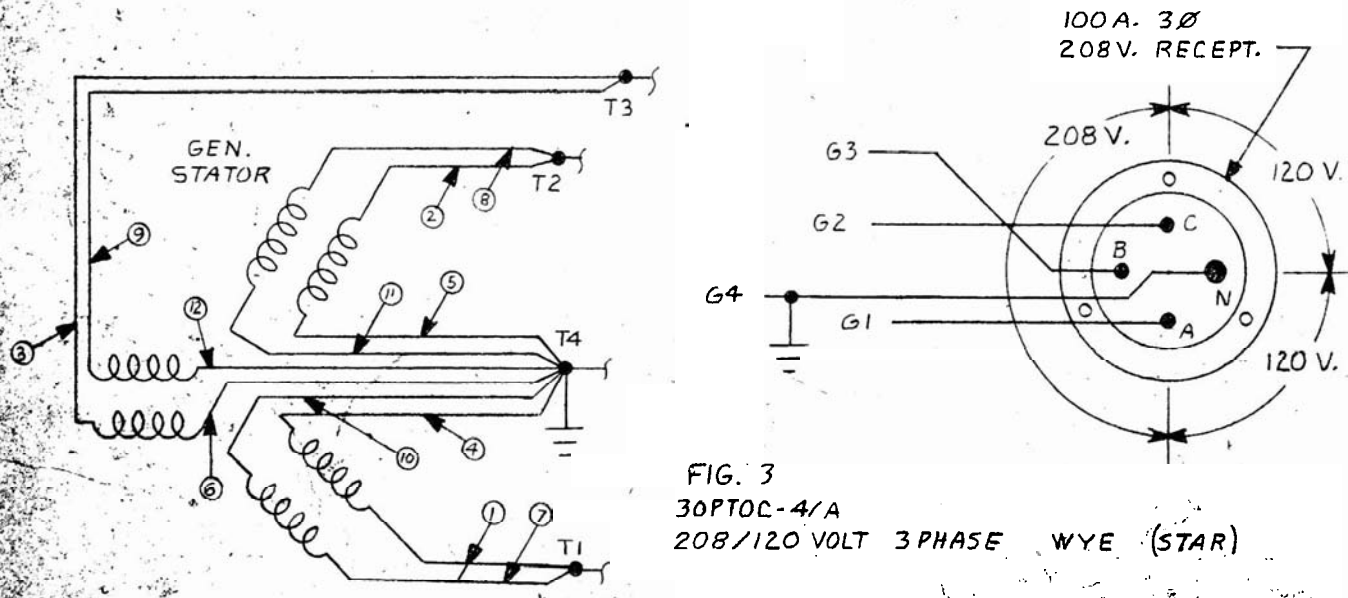


FIG. 3
30PTOC-4/A
208/120 VOLT 3 PHASE WYE (STAR)

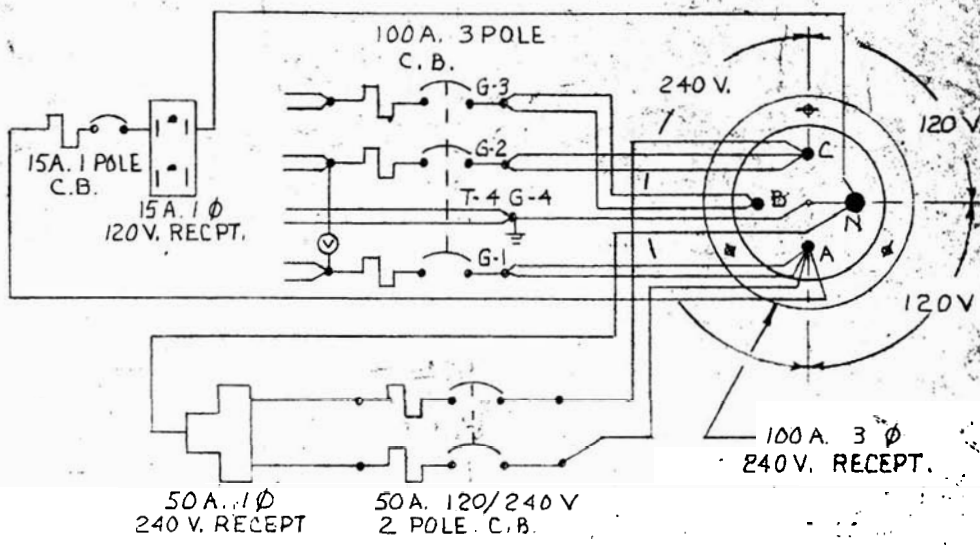


FIG. 2
CSA 30PTOC-17/A

91323
page 2 of 2

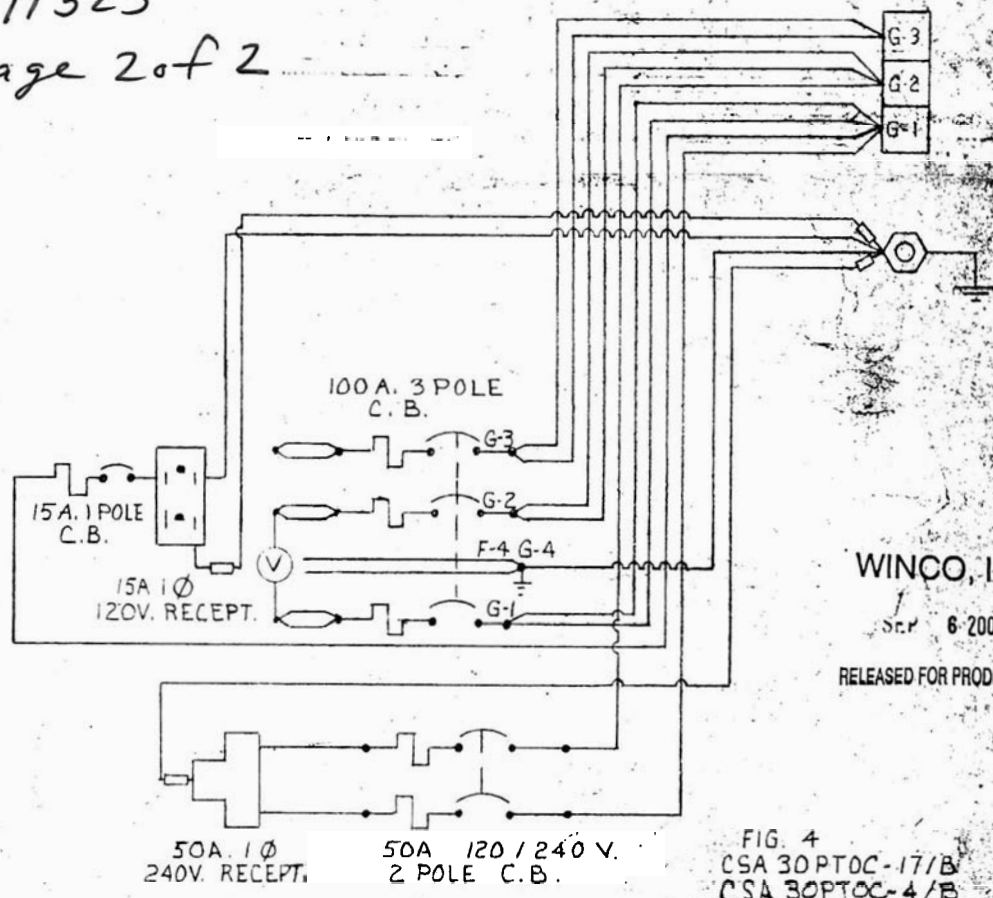


FIG. 4
CSA 30PTOC-17/B
CSA 30PTOC-4/B

WINCO, INC
Ser. 6-2000
RELEASED FOR PRODUCTION