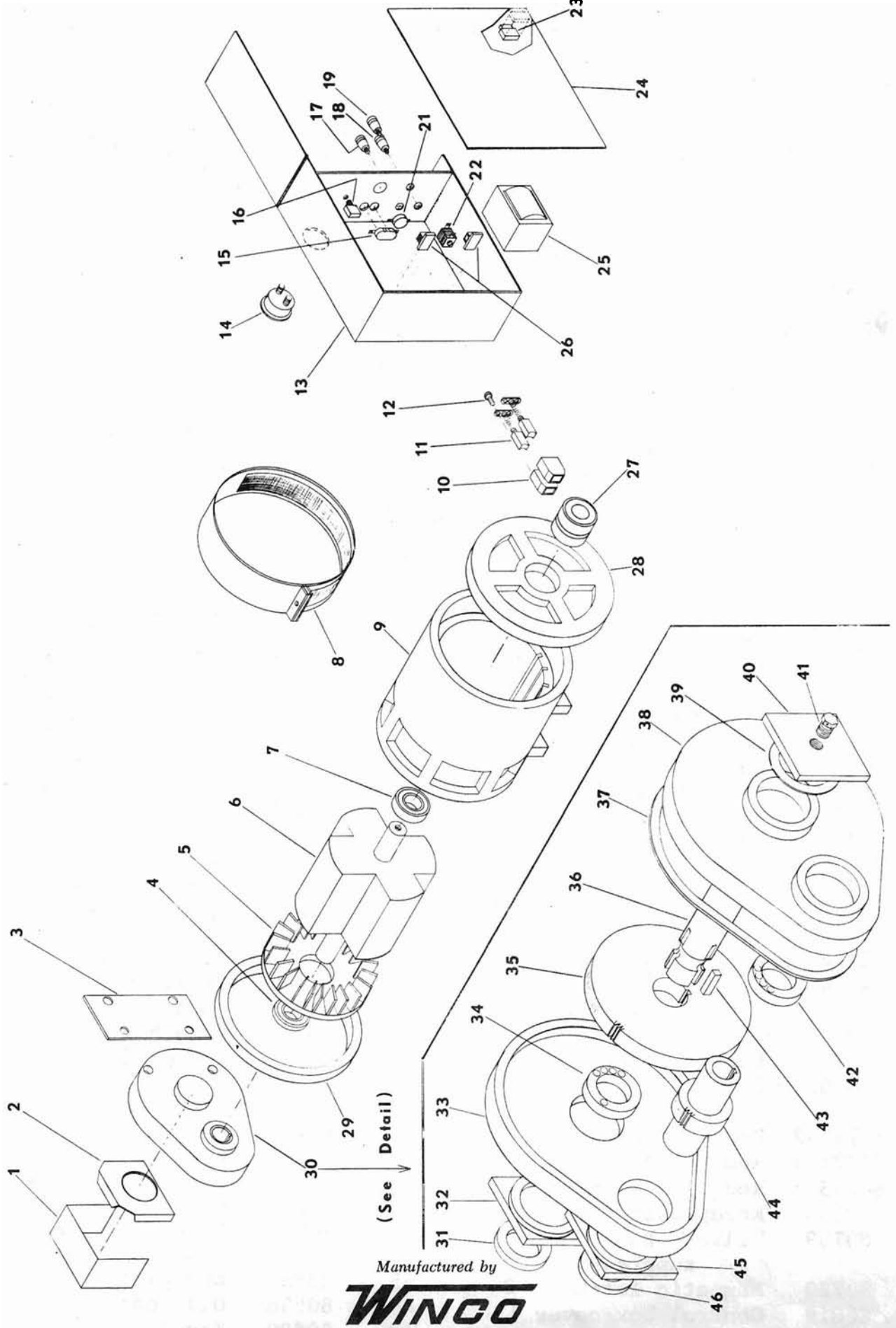


WINCO GENERATOR PLANT Model 25PTOC-3/A

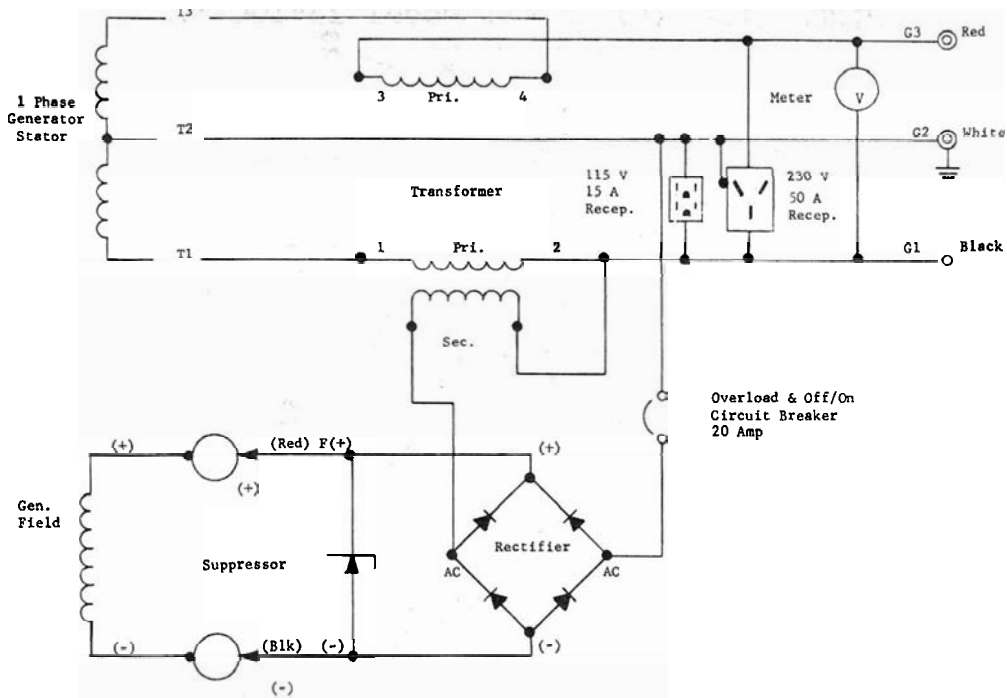


Manufactured by

WINCO

Division of Dyna Technology, Inc.

East Seventh at Division / P. O. Box 3263 / Phone (712) 252-1821 / SIOUX CITY, IOWA 51102

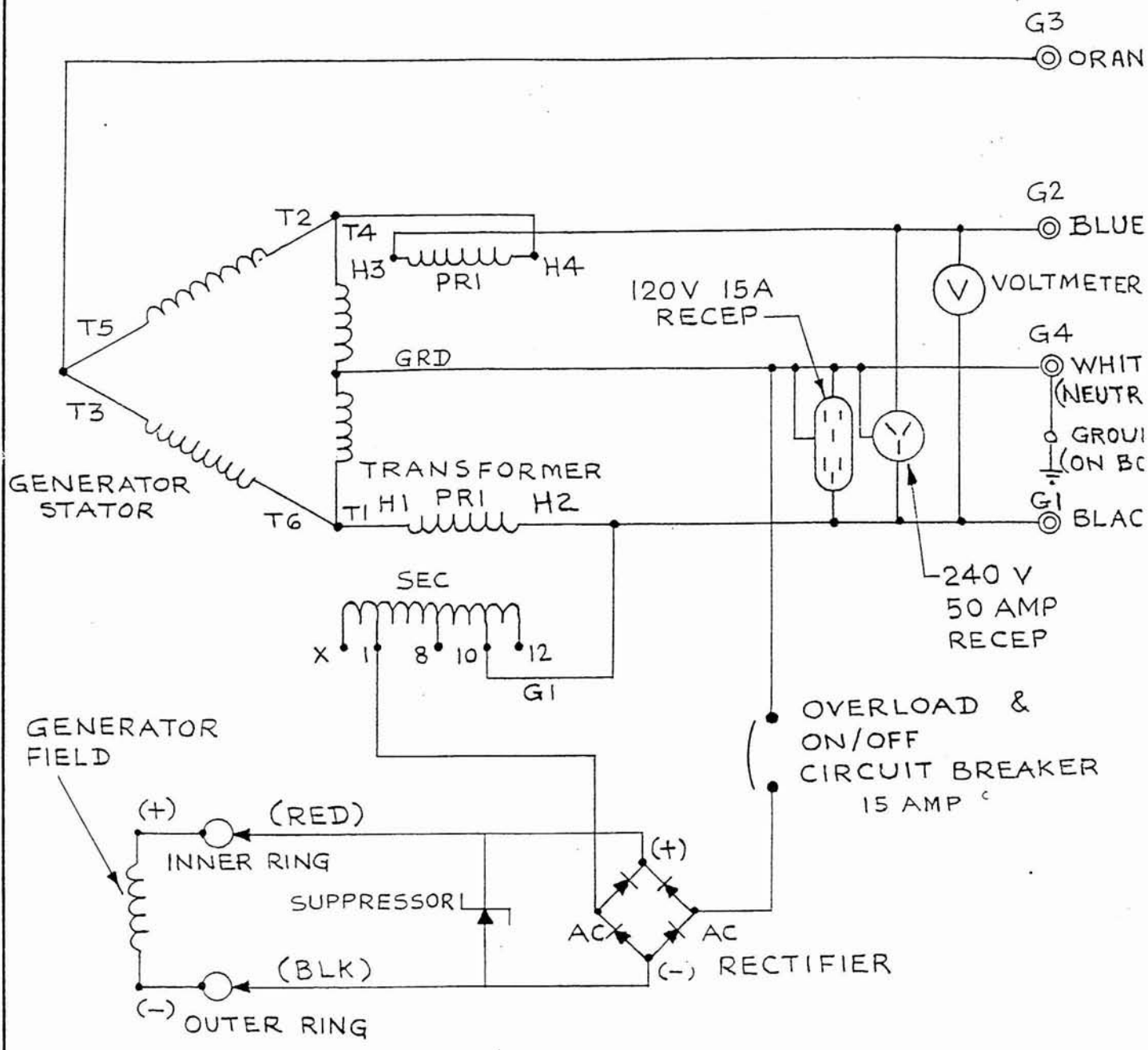


PARTS LIST

Ref. No.	Part No.	Description	Qty.	Ref. No.	Part No.	Description	Qty.
1	80708	Safety Shroud	1	25	80761	Current trans.	1
2	80707	Shroud mtg. brkt.	1	26	80760	Field rectifier	2
3	80674	Gearbox support plate	1	27	80820	Collector ring assy.	1
4	80809	Bearing assy.	1	28	80821	End bell (exciter end)	1
5	80810	Fan assy less hub	1	29	80822	End bell (drive end)	1
6	80812	Rotor assy - one phase	1	30	80690	Gear box assy	1
7	80814	Bearing assy	1	31	80823	Oil seal	1
8	80815	Fan shroud & screen assy.	1	32	80824	End plate	1
9	80816	Stator assy - one phase	1	33	80825	Case half (F)	1
10	23500-2	Brush holder	4	34	80826	Bearing & Cone assy.	2
11	24981	Brush assy.	4	35	80827	Drive gear	1
12	40746	Machine screw	8	36	80828	Drive shaft	1
13	80818	Control box assy	1	37	80829	Case gasket	1
14	52490	Voltmeter	1	38	80830	Case half (R)	1
15	24749	Duplex receptacle	1	39	80831	End plate gasket & shim	4 or as req.
16	80762	Field Circuit breaker	1	40	80832	End plate	1
17	80715-2	Receptacle (bl.)	1	41	80833	Case vent plug	1
18	80721-1	Receptacle (wht)	1	42	80834	Bearing & cone assy.	2
19	80715-1	Receptacle (red)	1	43	80835	Key	1
21	48343	Receptacle 230 V	1	44	80836	Driven gear & shaft assy.	1
22	80759	Voltage surge suppressor	1	45	80837	End plate	2
23	80720	Magnetic latch	2	46	80838	Oil seal	2
24	80819	Control box cover	1	47	80839	Key	1

580937 OF Cord + Plug assy

FORM F2
 WAS 20A
 (C) 3-5-74
 REP (EFFECTIVE WITH WD-436) CC L ROCHE EFH
 REL FOR WO-394 KCM EFH (B) 11-9-73 G3 V
 (A) 8-7 (C) 8-27-74 ADD (NEUTRAL) H1-H2-H3-H4 WERE 1-2-3-4 EFH
 (E) (R) (M) (S) (F) (H)



SUPPOS A9792 AFTER WO-344

E G LR EH

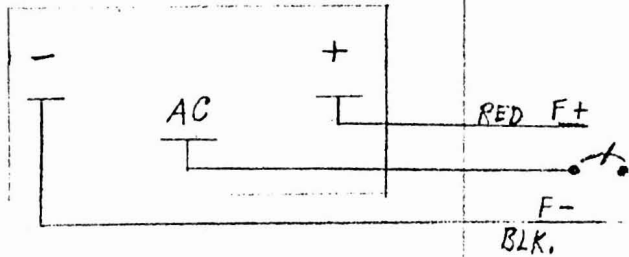
BY KC MISTRI	8-6-73
AP <i>E. M. Minter</i>	8-7-73
AP <i>M. A. Dwyer</i>	8-7-73
FIRST ORDER	WO-394

DIAGRAM, GENERATOR
 & REGULATOR, BRUSH-TYPE.
 PTO. 3-PHASE (FIELD BRKR)

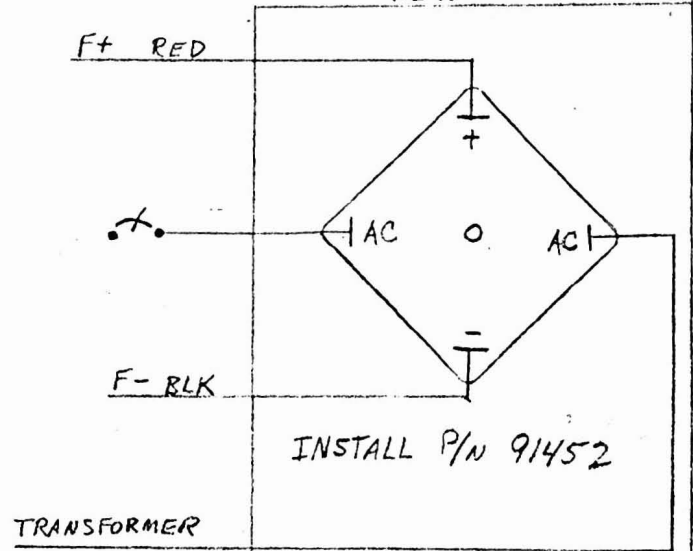
A9793

PAGE 1 OF 1

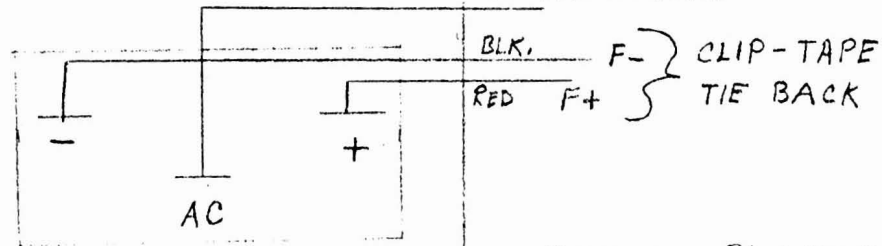
OLD



NEW



TO TRANSFORMER



REMOVE P/N 80760