

Wiring Diagram	<u>N/A</u>	*****	Size	<u>2700 Watts</u>
Schematic	<u>N/A</u>	REPAIR	Drive	<u>Two Bearing</u>
Generator Parts		PARTS LIST	Type	<u>Four Pole</u>
Unassembled	<u>C55518</u>	#473		
Complete Unit		*****		
Part #	<u>B55517</u>		Unit Model #	<u>207KS4PC-3/A</u>

<u>DESCRIPTION</u>	<u>PART #</u>	<u>QTY.</u>
Armature	55519	1
Armature Bearing		
Brush End	46911	1
Armature Bearing		
Shaft End	8031	1
Fan Assy.	23404	1
Fan Washer	21867	1
Fan Lockwasher	40552	1
Fan Nut	9549	1
Field Coil	55249	1
Field Coil	55249-1	1
Field Coil	55249-2	1
Field Coil	55249-3	1
Shell & Bracket Assy.	55250	1
Pole Shoe	55248	4
Pole Shoe Retainer	55242	4
Engine Adaptor Bracket	40097	1
Adaptor Bracket Screw	9416	4
End Cover Assy.	55140	1
End Cover Receptacle	53636	2
End Cover Receptacle	55253	1
Brush Rack Assy. (Complete)	57914	1
A. C. Brush	23607	6
A. C. Brush Holder	23500	6
A. C. Condenser	54977	1
Excitation Rectifier & Plate Assy.	55495	1
Base	24486	1



Division of Dyna Technology, Inc.

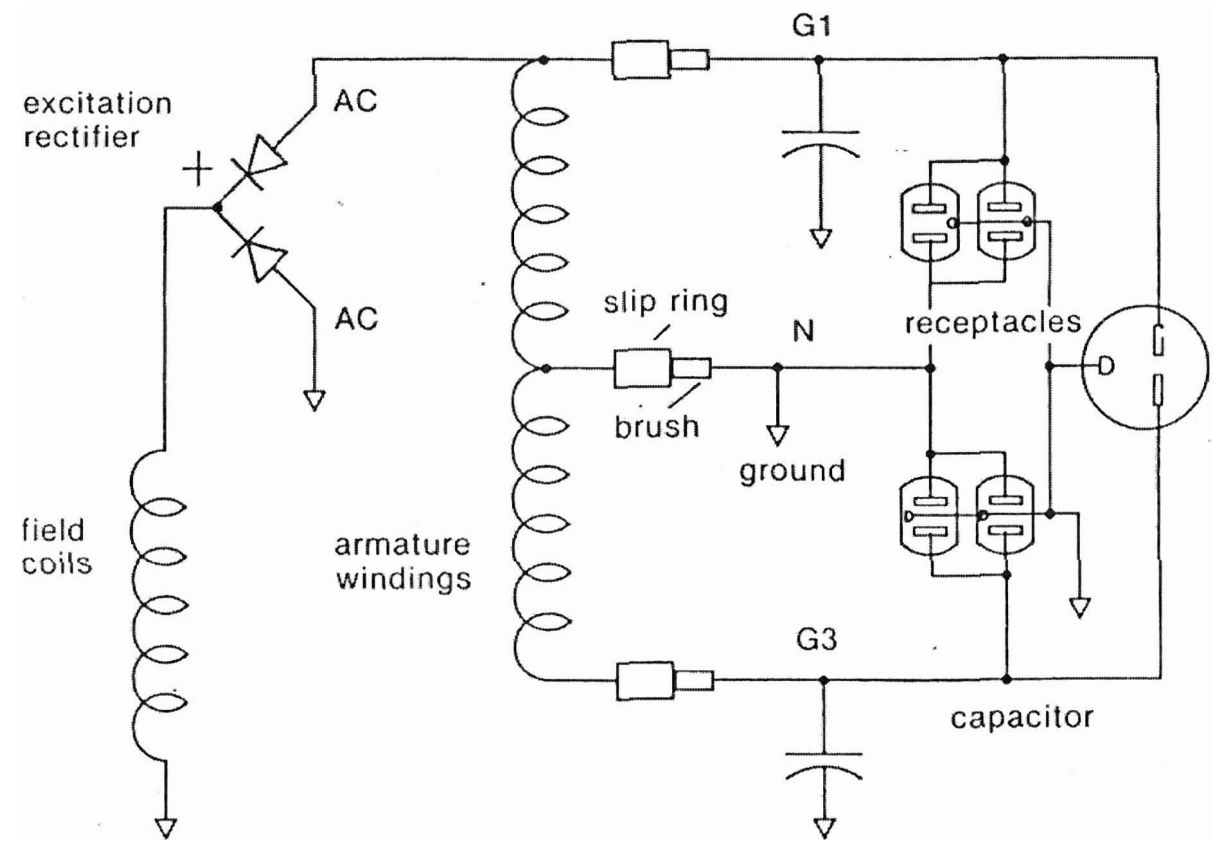
225 South Cordova St. / LE CENTER, MINNESOTA 56057

Phone: (612) 357-6821

RPL#473

Feb. 78

excitation circuit power circuit output



SCHEMATIC WIRING DIAGRAM