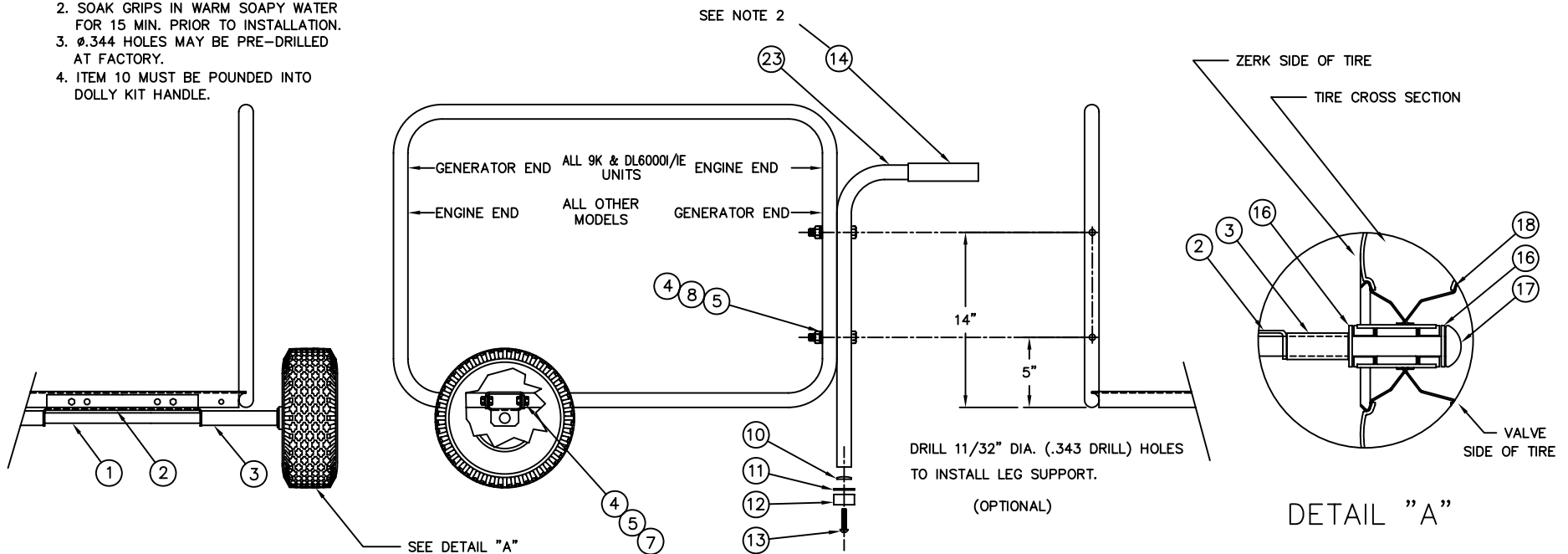


NOTES:

1. BAG OF BOLTS CONTAINS ALL PARTS WITH ASTERISK (*).
2. SOAK GRIPS IN WARM SOAPY WATER FOR 15 MIN. PRIOR TO INSTALLATION.
3. $\phi.344$ HOLES MAY BE PRE-DRILLED AT FACTORY.
4. ITEM 10 MUST BE POUNDED INTO DOLLY KIT HANDLE.



*12	A-20191-000	2	BUMPER				
*11	A-2586-002	2	FLATWASHER 1-1/2	23	B-16205-000	2	LEG SUPPORT
*10	15967-000	2	TUBE CLAMP	22	16204-101	1	BAG OF PARTS (SEE NOTE 1)
9				* 21	91372-000	1	BAG
* 8	471-000	4	HHCS 5/16-18 X 2.250 GR5	20	100,047-726	1	CARTON
* 7	1116-000	4	HHCS 5/16-18 X 1 GR5	19	A-16204-102	1	INSTRUCTION SHEET
* 6				18	A-43657-001	2	WHEEL & TIRE ASS'Y
* 5	480-000	8	LOCKWASHER 5/16	* 17	A-64327-000	2	HUBCAP
* 4	458-000	8	HEXNUT 5/16-18	* 16	1178-000	4	FLATWASHER 1-3/8
3	A-64688-005	2	AXLE STUB	15			
2	B-15775-002	1	AXLE BRACKET	14	A-64325-001	2	HANDLE GRIP (SEE NOTE 2)
1	A-64326-012	1	AXLE	* 13	639-000	2	RHMS 1/4 20 X 1.50
ITEM	PART NO	QUAN.	DESCRIPTION	ITEM	PART NO	QUAN.	DESCRIPTION

INSTRUCTION SHEET

ISSUE 10

A-16204-102