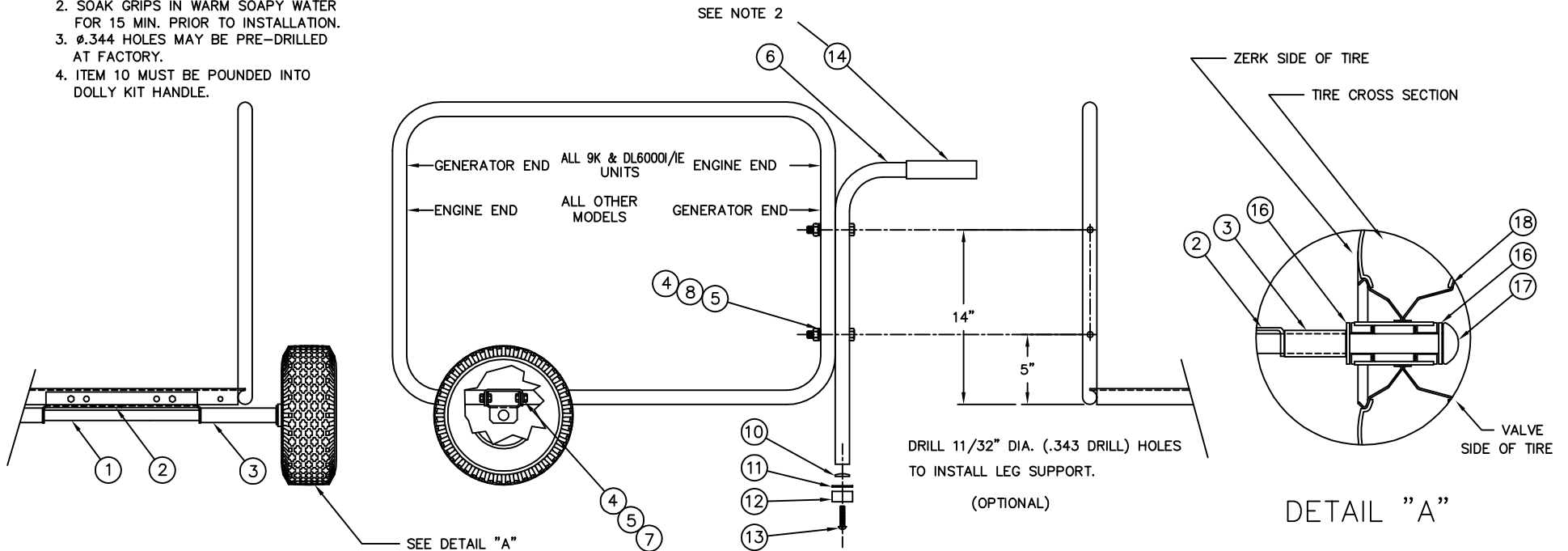


NOTES:

1. BAG OF BOLTS CONTAINS ALL PARTS WITH ASTERISK (\*).
2. SOAK GRIPS IN WARM SOAPY WATER FOR 15 MIN. PRIOR TO INSTALLATION.
3.  $\phi.344$  HOLES MAY BE PRE-DRILLED AT FACTORY.
4. ITEM 10 MUST BE POUNDED INTO DOLLY KIT HANDLE.



*12	A-20191-000	2	BUMPER				
*11	A-2586-002	2	FLATWASHER 1-1/2				
*10	15967-000	2	TUBE CLAMP				
*9	91372-000	1	BAG				
*8	471-000	4	HHCS 5/16-18 X 2.250 GR5	20	100,047-726	1	CARTON
*7	1116-000	4	HHCS 5/16-18 X 1 GR5	19	A-16204-102	1	INSTRUCTION SHEET
6	B-16205-000	2	LEG SUPPORT	18	A-43657-003	2	WHEEL & TIRE ASS'Y
*5	480-000	8	LOCKWASHER 5/16	*17	A-64327-000	2	HUBCAP
*4	458-000	8	HEXNUT 5/16-18	*16	1178-000	4	FLATWASHER 1-3/8
3	A-64688-005	2	AXLE STUB	15	16204-101	1	BAG OF PARTS (SEE NOTE 1)
2	B-15775-002	1	AXLE BRACKET	14	A-64325-001	2	HANDLE GRIP (SEE NOTE 2)
1	A-64326-019	1	AXLE	*13	639-000	2	RHMS 1/4 20 X 1.50
ITEM	PART NO	QUAN.	DESCRIPTION	ITEM	PART NO	QUAN.	DESCRIPTION

# INSTRUCTION SHEET

## A-16204-109

**WINGO**<sup>®</sup>  
INCORPORATED

ISSUE 1