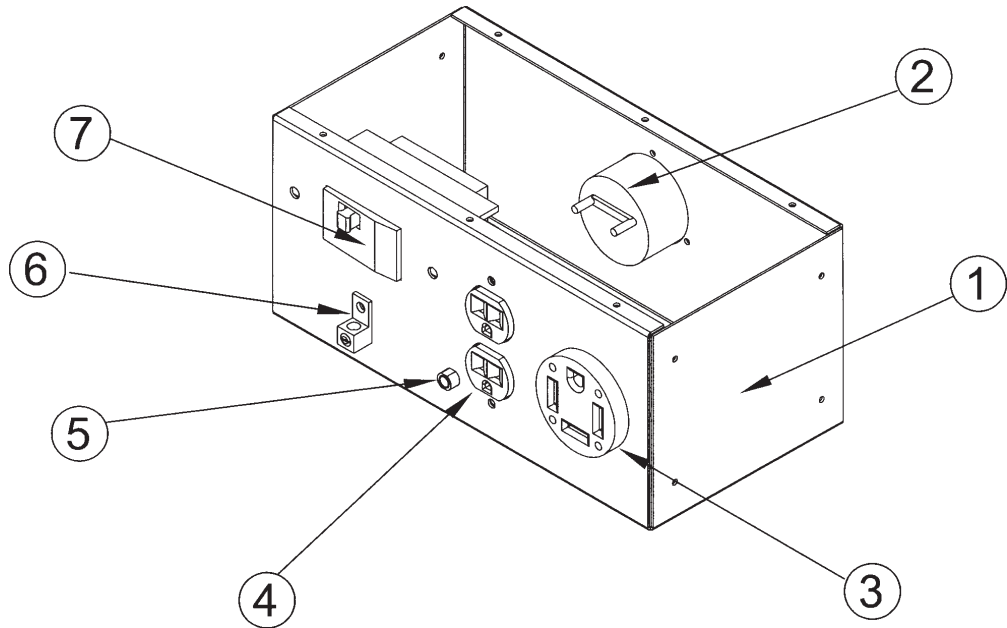
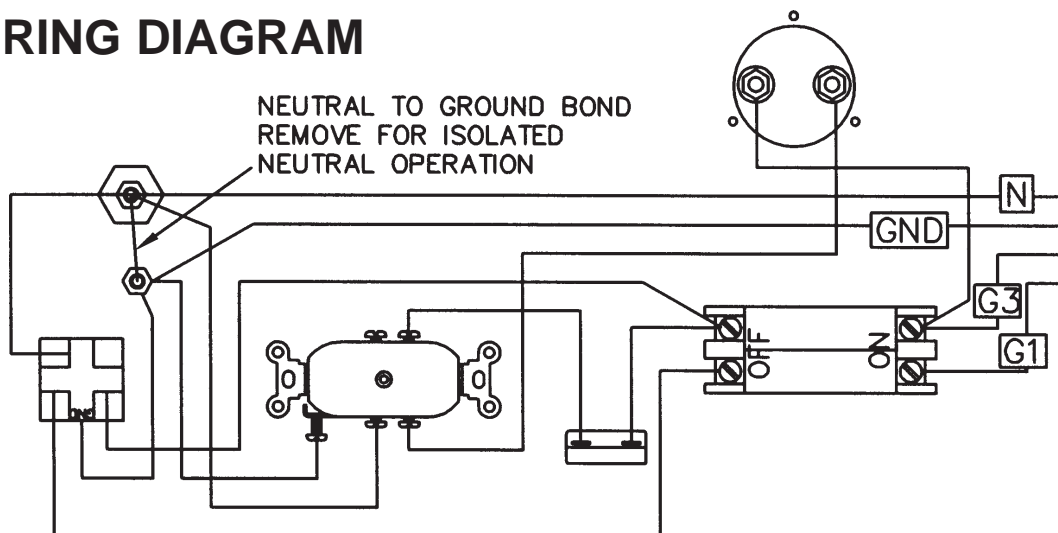


RECEPTACLE PANEL

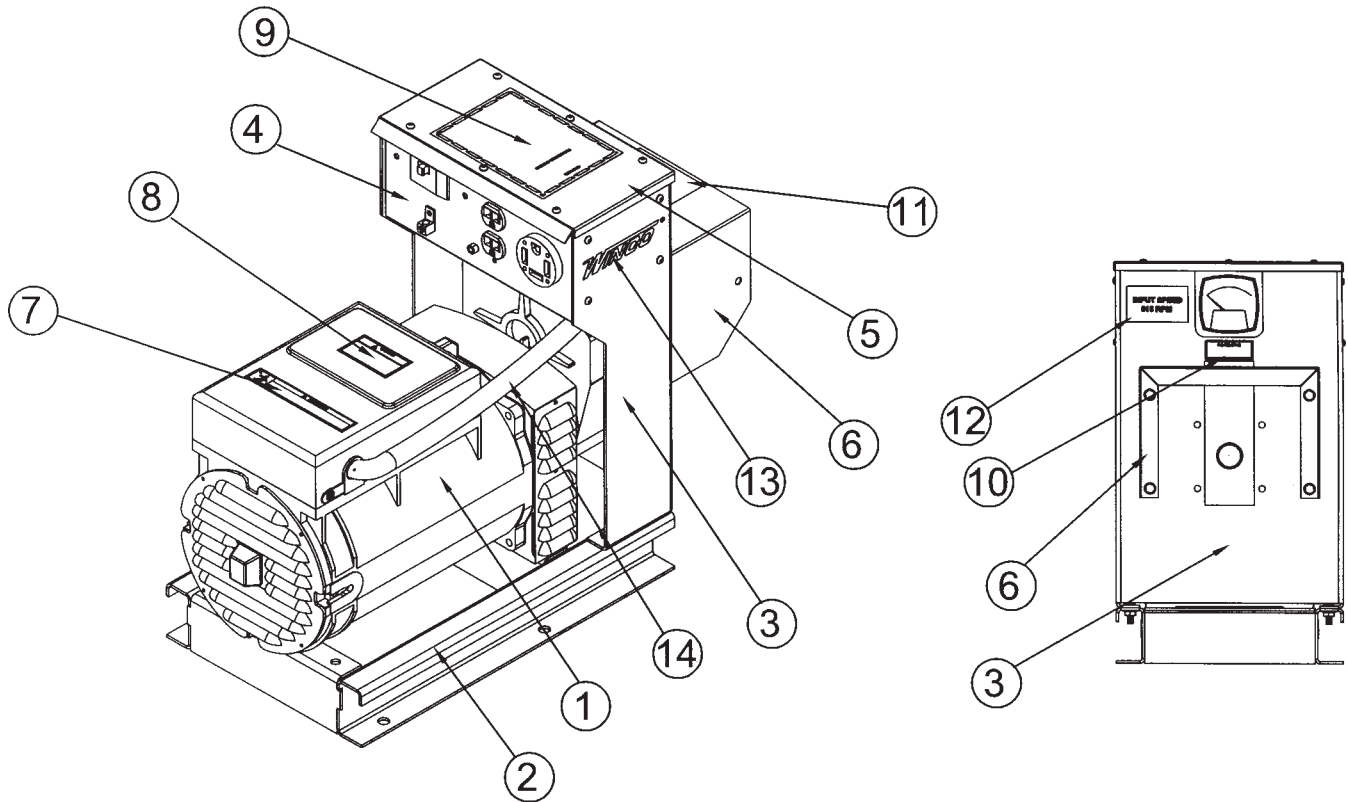


| REF | PART # | QTY | DESCRIPTION |
|-----|-----------|-----|--|
| 1 | 300079-4 | 1 | Control Box Sheet Metal |
| 2 | 91370-000 | 1 | Voltmeter 0 - 300 VAC |
| 3 | 300136 | 1 | Receptacle, NEMA 14-60R |
| 4 | 50766-000 | 1 | Receptacle, NEMA 5-20R |
| 5 | 91286-001 | 1 | Circuit Breaker 20 AMP - 120 VAC |
| 6 | 63708-000 | 1 | Ground Lug |
| 7 | 57030-005 | 1 | Circuit Breaker 60 AMP - 240 VAC |
| NI | 300137 | 1 | Plug, NEMA 14-60P (Supplied with the Unit) |

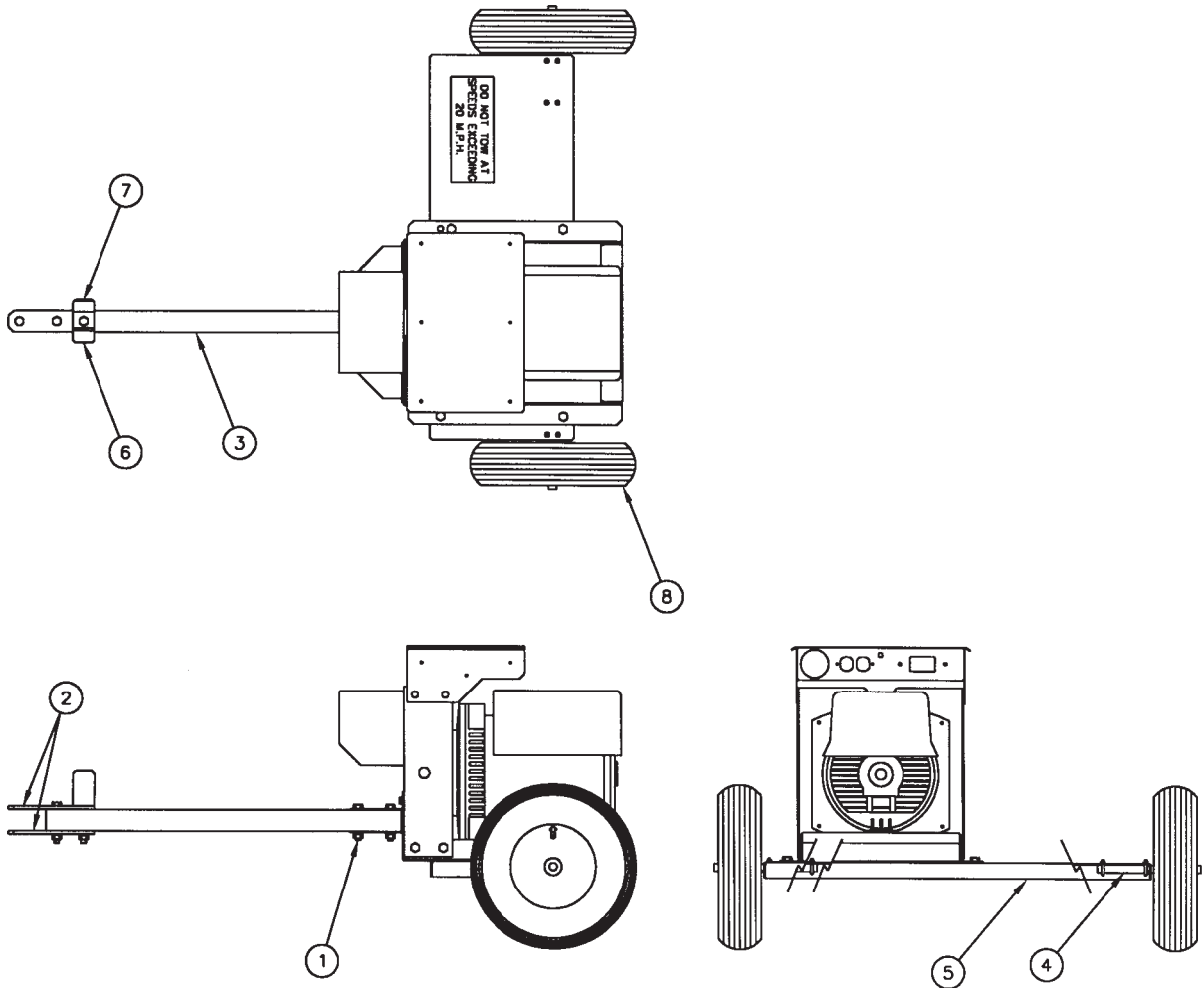
WIRING DIAGRAM



COMPLETE UNIT ASSEMBLY



| REF | PART # | QTY | DESCRIPTION | REF | PART # | QTY | DESCRIPTION |
|-----|-----------|-----|--|-----|------------|------|---------------------------|
| 1 | 99839-001 | 1 | Generator & Gear Case Assy S20F-230/A M5 | 10 | Z9941 | 1 | Oil Fill Hole Decal |
| 2 | 300077-6 | 1 | Base Assembly | 11 | Z2568 | 1 | PTO Danger Decal |
| 3 | 99841-002 | 1 | Gear Case Support | 12 | 91369-003 | 1 | 515 RPM Decal |
| 4 | 300160-6 | 1 | Receptacle Box Assembly | 13 | 53113-001 | 1 | WINCO Decal |
| 5 | 300080-2 | 1 | Receptacle Box Cover | 14 | 62487-003 | 2.5' | Loom 5/8" |
| 6 | 300086-1 | 1 | Safety Shield | NI | 300323-112 | 1 | Capacitor, 31.5 mf, 425 V |
| 7 | 15209-000 | 1 | Safety Decal | NI | 300323-212 | 2 | Capacitor, 35 mf, 450 V |
| 8 | Z-2516 | 1 | Warning Decal | NI | 300153 | 1 | Gear Case |
| 9 | Z2553 | 1 | Operating Instructions Decal | NI | | | Not Illustrated |



TWO WHEEL TRANSPORT

| DESCRIPTION | PART NO. |
|--------------------------------|-----------|
| 1 SUPPORT, TONGUE (QTY. 2) | 300081 |
| 2 HITCH, TONGUE (QTY. 2) | 300082 |
| 3 TONGUE | 300083 |
| 4 AXLE (QTY. 2) | 300085 |
| 5 SUPPORT, AXLE | 300164 |
| 6 SUPPORT, PTO SHAFT | 300161-1 |
| 7 SUPPORT, PTO SHAFT | 300161-2 |
| 8 TIRE/RIM, PNEUMATIC (QTY. 2) | 43657-000 |

225 SOUTH CORDOVA AVE
LE CENTER MN 56057
1-507-357-6831

WINGO INC[®]
*A Division of **DTE** Dyna Technology Inc*