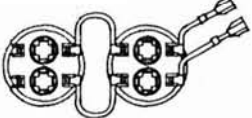


TO ENGINE MAGNETO KILL TERMINAL

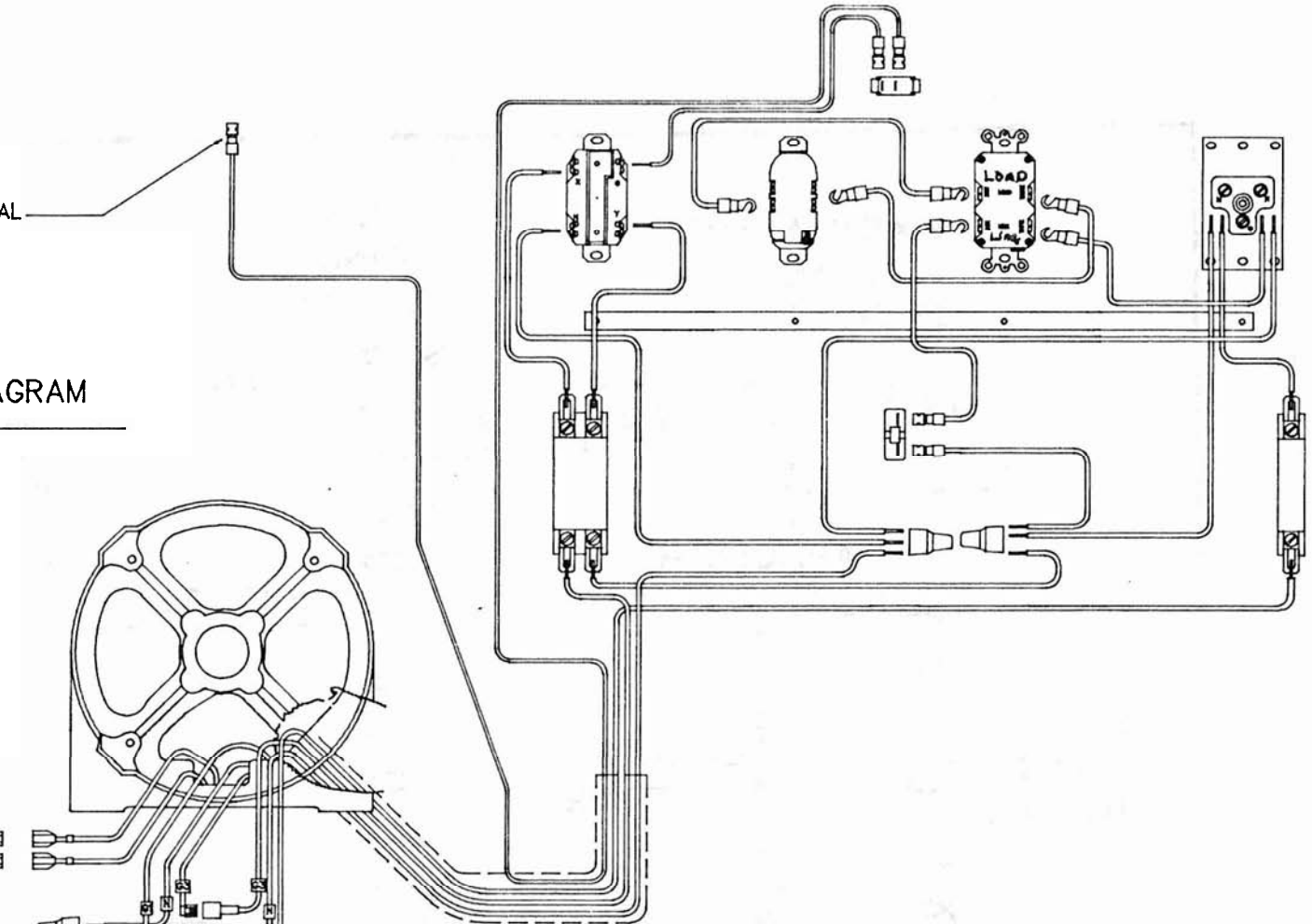
WIRING DIAGRAM

EXTENTION LEADS USED ONLY ON 6000 SERIES



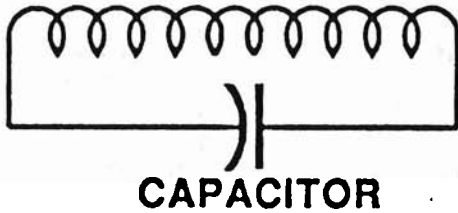
CAPACITOR BANK

LOCATED IN GENERATOR END COVER (4000 AND 4500 SERIES) OR IN PANEL ALONGSIDE OF ENGINE (6000 SERIES)



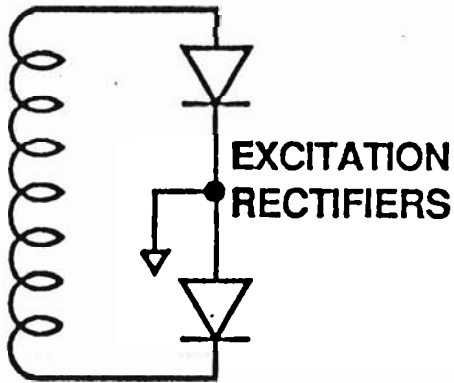
MODELS	CD4000/M	TF4500E/L
	DX4500/L	DX6000E/L
	DX4500E/L	TF6000E/L
	SD-15176-1+2	

EXCITATION
WINDING
(STATOR)



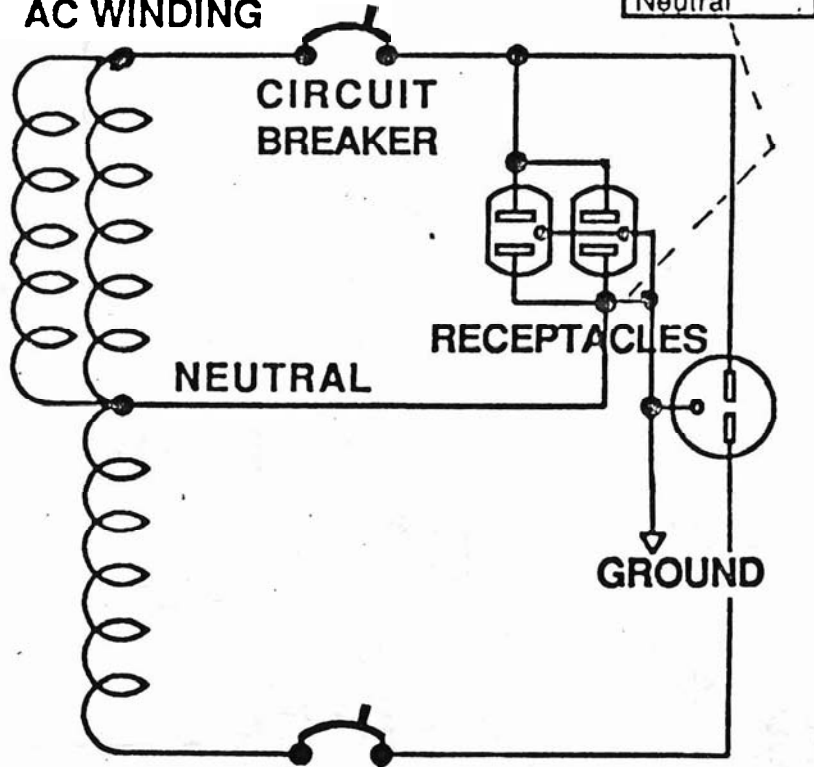
CAPACITOR

FIELD
COILS
(ROTOR)



EXCITATION
RECTIFIERS

MAIN
STATOR
AC WINDING



Removed
for Isolated
Neutral

CIRCUIT
BREAKER

RECEPTACLES

NEUTRAL

GROUND