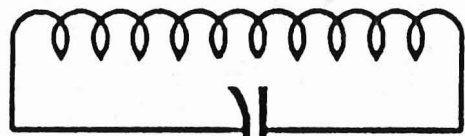
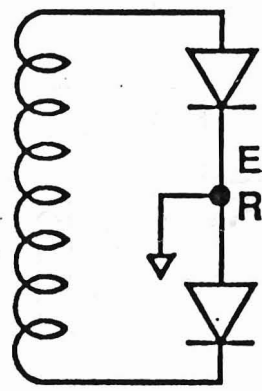


**EXCITATION
WINDING
(STATOR)**



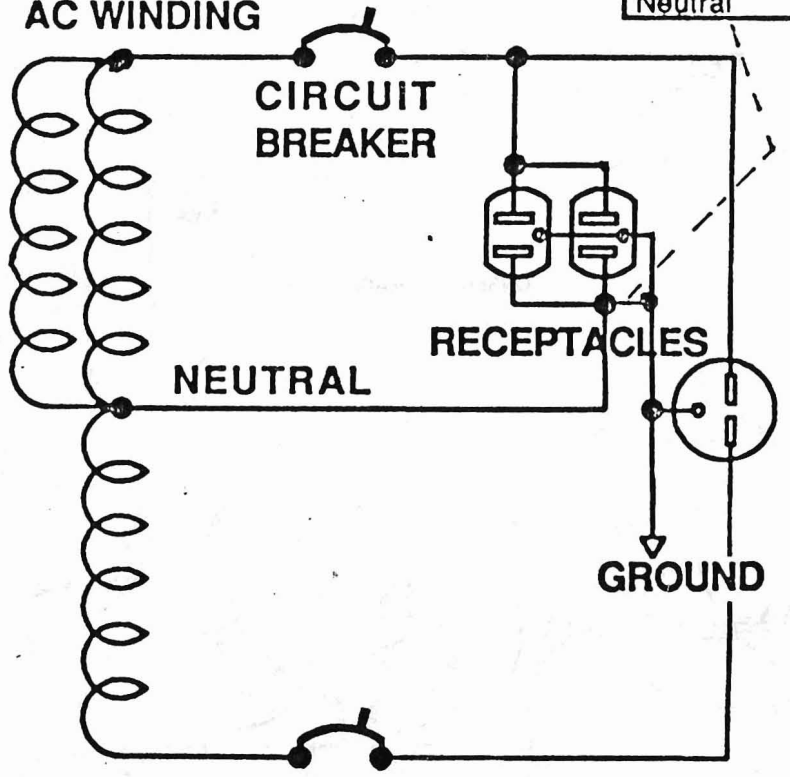
CAPACITOR

**FIELD
COILS
(ROTOR)**



**EXCITATION
RECTIFIERS**

**MAIN
STATOR
AC WINDING**



Removed
for Isolated
Neutral

**CIRCUIT
BREAKER**

NEUTRAL

RECEPTACLES

GROUND