

* * * * *

The "-3" in the Model * * * * *
 Number indicates 115/ * * * * *
 230 Volt, 60 Cycle. * PARTS LIST * * * * *

* * * * *

SIZE: 12000 Watts
 DRIVE: PTO
 TYPE: Two Pole

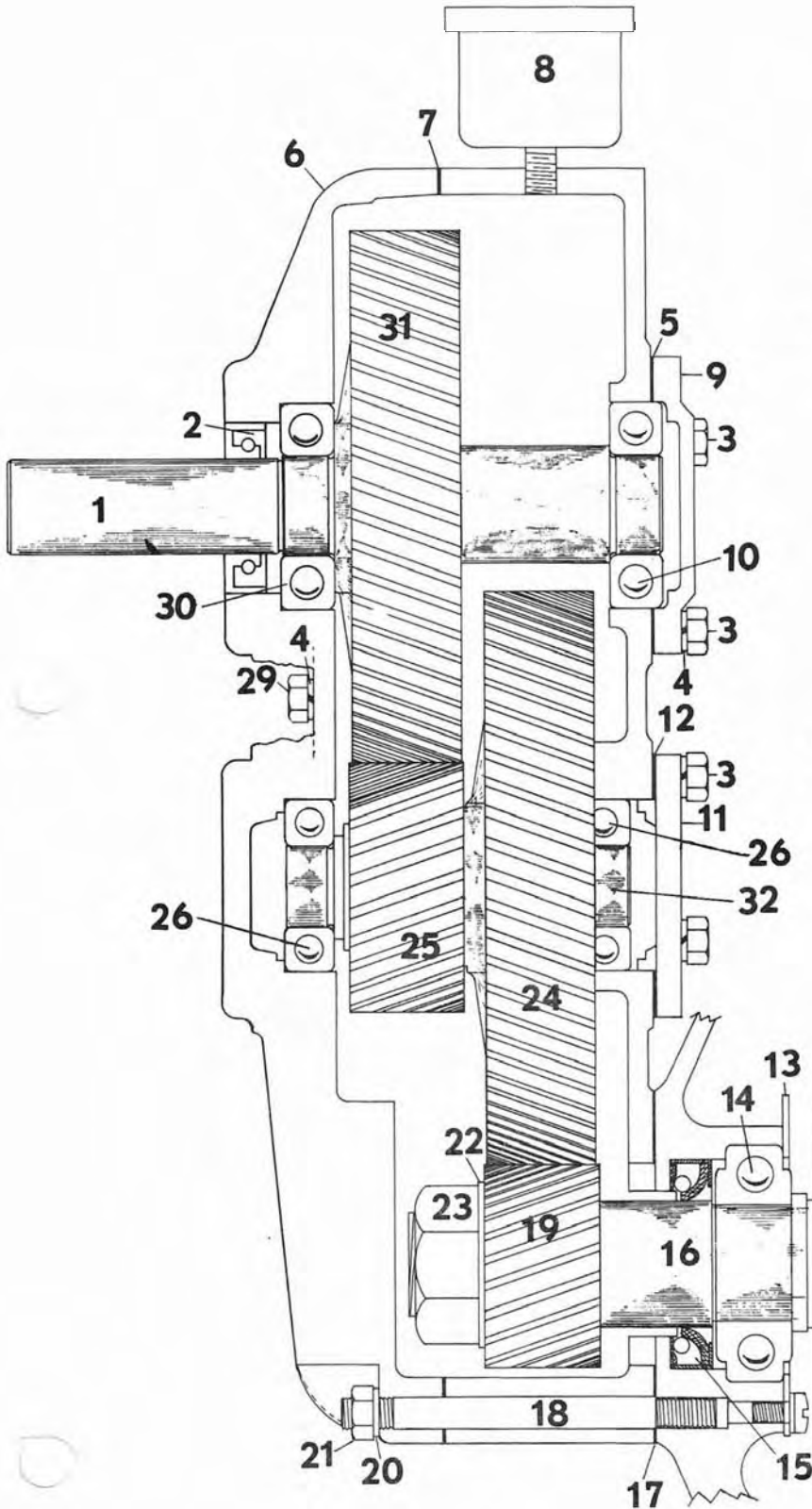
MODEL: 12EPBPTO-3/C3

<u>Description</u>	<u>Part No.</u>
Armature 115/230 Volt	52573-1
Bearing, Comm. End	50215
Bearing, Retaining Ring (Comm. End)	21549
Bearing, Drive End	46913
Bearing Retainer Plate	44318
Oil Seal	46912
Spacer	20137
Field Coil	47072
Field Coil	47072-1
Field Shell & Bracket	52644
Armature Nut (Fan End)	9549
Armature Flat Washer (Fan End)	21867
Armature Lockwasher (Fan End)	20039
End Bracket (Drive End)	51046-1
Fan	23404
Fan Lockwasher	40552
End Cover	24478
End Cover Screw	4637
D. C. Brush Rack (Riveted) (2)	44347 &-1
Brush Holder & Rack Assembly	52575 &-1
A. C. Brush Holder (16)	23500-2
A. C. Brush (16)	24981
D. C. Brush (2)	41393
D. C. Condenser (1)	41180
A. C. Condenser (2)	41221
Voltmeter	22300

For Parts List of Gear Case See Form 105

54661
GEAR CASE FOR TRACTOR DRIVEN PTO GENERATORS
MODELS ENDING IN C & D

Form 121



Ref. No.	Part No.	DESCRIPTION	Quantity
1	46296	Shaft	1
2	20029	Oil Seal	1
3	465	Cap Screw 5/16 - 18 x 7/8	10
4	480	Lockwasher 5/16"	18
5	46299	Gasket	1
6	54662	Gear Case & Cover	1
7	20016	Gasket	1
8	40716	Breather	1
9	46295	Bearing Retainer	1
10	54666	Bearing	1
11	46286	Bearing Retainer	1
12	46298	Gasket	1
13	44318	Retainer Plate	1
14	46913	Bearing	1
15	46912	Oil Seal	1
16	20137	Bushing	1
17	20136	Gasket	1
18	20017	Stud	3
19	46545	Pinion	1
20	630	Lockwasher	3
21	459	Hex Nut 3/8"	3
22	20139	Lockwasher	1
23	20160	Hex Jam Nut	1
24	46546	Gear	1
25	46547	Pinion	1
26	54665	Bearing	2
29	580	Cap Screw 5/16 - 18 x 1 1/4	12
30	54666	Bearing	1
31	46548	Gear	1
32	20128	Shaft	1
*	40965	1 Qt. Gear Oil	1
*	1774	Woodruff Key #15 (1/4 x 1")	4

* Not shown on drawing.