

The "-3" in the Model Number * * * * *
 indicates 115/230 Volt, 60 *
 Cycle, 1 Phase. "-4" indi- * PARTS LIST *
 cates 120/208 Volt, 60 Cycle * SPL 27 *
 3 Phase. "-5" indicates 230 *
 Volt, 60 Cycle, 3 Phase. * * * * *

SIZE: 10,000 Watts
 DRIVE: PTO
 TYPE: Two Pole

MODEL: 13000A 10PT0

Parts Attached to Generator

Gen. Adapter Plate	21816	23579
Oil Seal	20138	20138
Lockwasher	20139	20139
Shaft Nut	20160	20160
Shaft Key	20159	20159
Pinion	20135	20135

Parts Attached to Power Take-Off Shaft

Shaft	20127	20127
Gear	20134	23563
Key	1774	1774
Bearing	648	648
Bearing	649	649

Parts Attached to Gear Case Shaft

Shaft	20128	20128
Pinion	20135	23562
Gear	20134	20134
Woodruff Key (2)	1774	1774
Retaining Ring	20133	20133
Bearing	649	649
Oil Seal	20029	20029

Out Case Parts

Main Gear Case Casting	20020	23577
Gear Case Cover	20021	20021
Gear Case Gasket	20016	20016
Breather	- - -	40716

Control Box Parts

Circuit Breaker	- - -	24103
Circuit Breaker Case	- - -	RP470
Control Box	- - -	24105
Control Box Cover	- - -	24104
Voltmeter	22300	22300
Spacer	- - -	24090
Fuse 115/230 V. 1 Ph. (2)	20157	- - -
Fuse Base 115/230 V. 1 Ph.	20156	- - -
Fuse Receptacle 230 V. 3 Ph.	4667	- - -
Fuse 230 V. 3 Ph. (3)	21708	- - -
Frame Assembly	20106-2	- - -

For Generator Parts for Model 13000A, see Gen. Parts for F13000 on SPL 26
 For Generator Parts for Model 10PT0, see Gen. Parts for 10V4F Manual on SPL 26
 For Armature and Field Coils, see Note *1 (SPL 26). 10PT0-3/C is the same as
 10LS2G-3/C.

The "-3" in the Model Number indicates 115/230 vblt, 60 cycle, 1 phase; "-4" indicates 120/208 volt, 60 cycle, 3 phase; "-5" indicates 230 volt, 60 cycle, 3 phase.

 *
 * PARTS LIST *
 * SFL 26 *
 *

SIZE: 10,000 Watts
 DRIVE: Belt
 TYPE: Two Pole

MODELS: 10V4F Manual Series, such as 10V4F-3M/A, 10V4F-4M/A, 10S2G-3/A
 10S2GC-3/A, etc.

10V4F Remote Series, such as 10V4F-3R/A, 10V4F-4R/A, 10V4F-5R/A, etc.
 F13000 Series, such as F13000-11, F13002-11, F13000-1, F13000-0, etc.

	<u>10V4F Manual</u>	<u>10V4F Remote</u>	<u>F13000</u>
Armature & Bearing 115/230 V. 1 Ph. *1	21894	21894	21638
Armature & Bearing 120/208 V. 3 Ph. *1	22094	22094	-----
Armature & Bearing 230 V. 3 Ph. *1	21898	21898	-----
Bearing (Fan End)	9124	9124	9124
Bearing (Slip Ring End)	21564	21564	21564
Field Coil (Front) *1	22414-1	21892-1	21676
Field Coil (Rear) *1	22414	21892	21676-1
Field Resistor	-----	21901	-----
A.C. Brush	21527	21527	21527
D.C. Brush	21528	21528	21528
D.C. Brush Holder	21574	21574	21574
A.C. Brush Holder	21575	21575	21575
D.C. Brush Spring	21543	21543	21543
A.C. Brush Spring	21542	21542	21542
End Bracket (Pulley End)	21540	21540	21540
End Bracket (Slip Ring End)	21541	21541	21541
Condenser D.C.	22695	-----	1397
Condenser A.C. 1 Phase	22896	-----	21719
Condenser A.C. 3 Phase	22779	-----	-----
Receptacles			
Duplex 10 Amp. 2 wire	22331	-----	-----
50 Amp. Twistlock 3 wire	22636	-----	-----
20 Amp. Twistlock 3 wire	9943	-----	-----
Automatic Choke Solenoid	-----	21932	-----
Relay	-----	21673	-----
Resistor Assembly (Box)	-----	21948	-----
Start-Stop Switch	21787	21787	21787
Ammeter	-----	21699	-----
Toggle Switch	-----	9633	-----
Terminal Block	-----	21672	-----
Starter Solenoid	-----	21932	-----
Generator Pulley	20367	20367	20367
V-Belt	20368	20368	20368
Engine Pulley	20366	20366	20366
Belt Guard	21735	22017	21735
Frame Assembly	20370	20370	20370
Voltmeter	22300	-----	20983

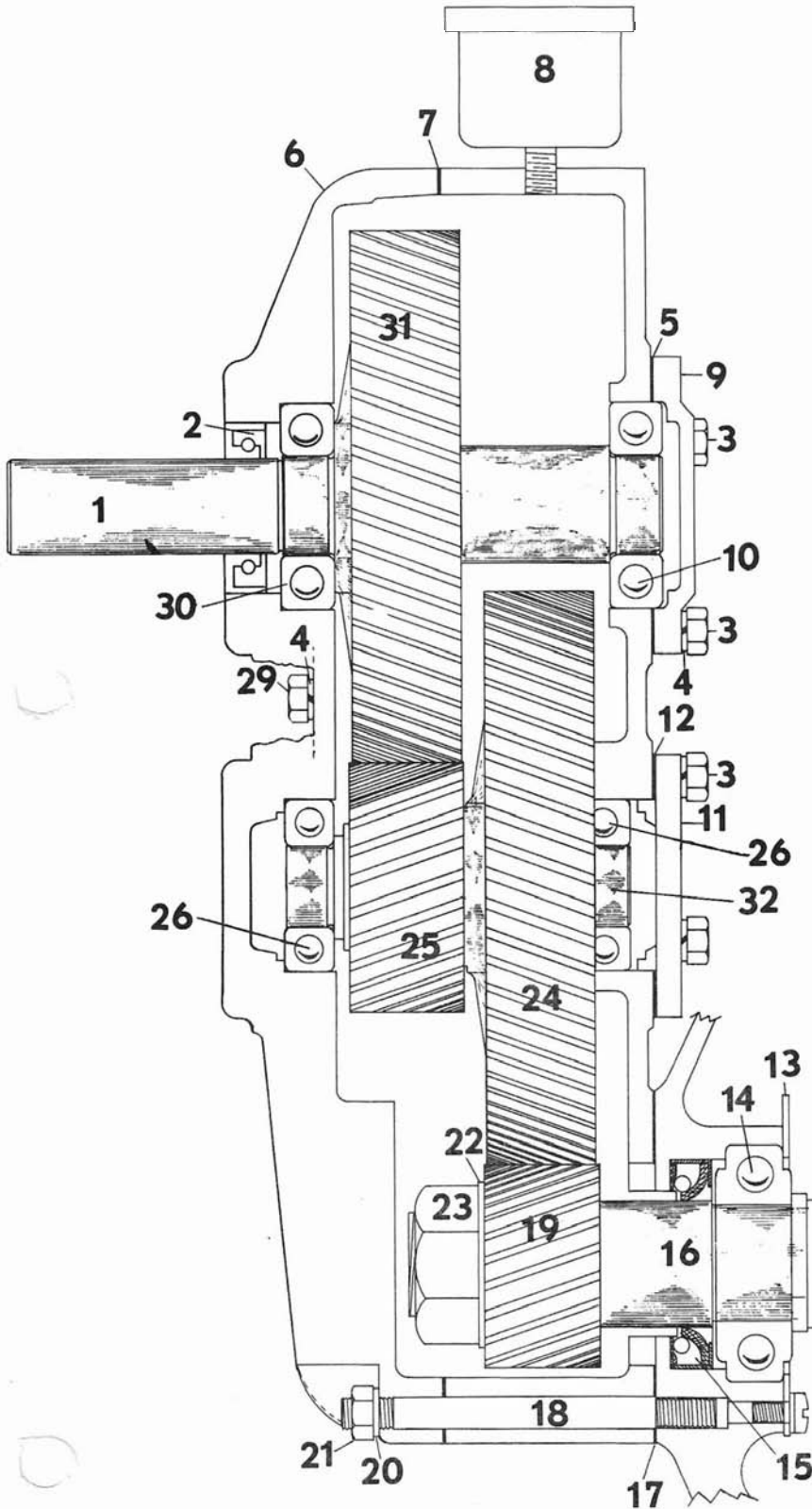
*1. Models 10S2G-3/C and 10S2GC-3/C use armature 21638 and field coils 21676 (front) and 21676-1 (rear).

Models 10S2GC-4/C and 10S2GC-4/C use armature 40637 and field coils 21676 (front) and 21676-1 (rear).

Models 10S2GC-5/C and 10S2GC-5/C use armature 42134 and field coils 21676 (front) and 21676-1 (rear).

54661
GEAR CASE FOR TRACTOR DRIVEN PTO GENERATORS
MODELS ENDING IN C & D

Form 121



Ref. No.	Part No.	DESCRIPTION	Quantity
1	46296	Shaft	1
2	20029	Oil Seal	1
3	465	Cap Screw 5/16 - 18 x 7/8	10
4	480	Lockwasher 5/16"	18
5	46299	Gasket	1
6	54662	Gear Case & Cover	1
7	20016	Gasket	1
8	40716	Breather	1
9	46295	Bearing Retainer	1
10	54666	Bearing	1
11	46286	Bearing Retainer	1
12	46298	Gasket	1
13	44318	Retainer Plate	1
14	46913	Bearing	1
15	46912	Oil Seal	1
16	20137	Bushing	1
17	20136	Gasket	1
18	20017	Stud	3
19	46545	Pinion	1
20	630	Lockwasher	3
21	459	Hex Nut 3/8"	3
22	20139	Lockwasher	1
23	20160	Hex Jam Nut	1
24	46546	Gear	1
25	46547	Pinion	1
26	54665	Bearing	2
29	580	Cap Screw 5/16 - 18 x 1 1/4	12
30	54666	Bearing	1
31	46548	Gear	1
32	20128	Shaft	1
*	40965	1 Qt. Gear Oil	1
*	1774	Woodruff Key #15 (1/4 x 1")	4

* Not shown on drawing.