

WINCO INC[®]

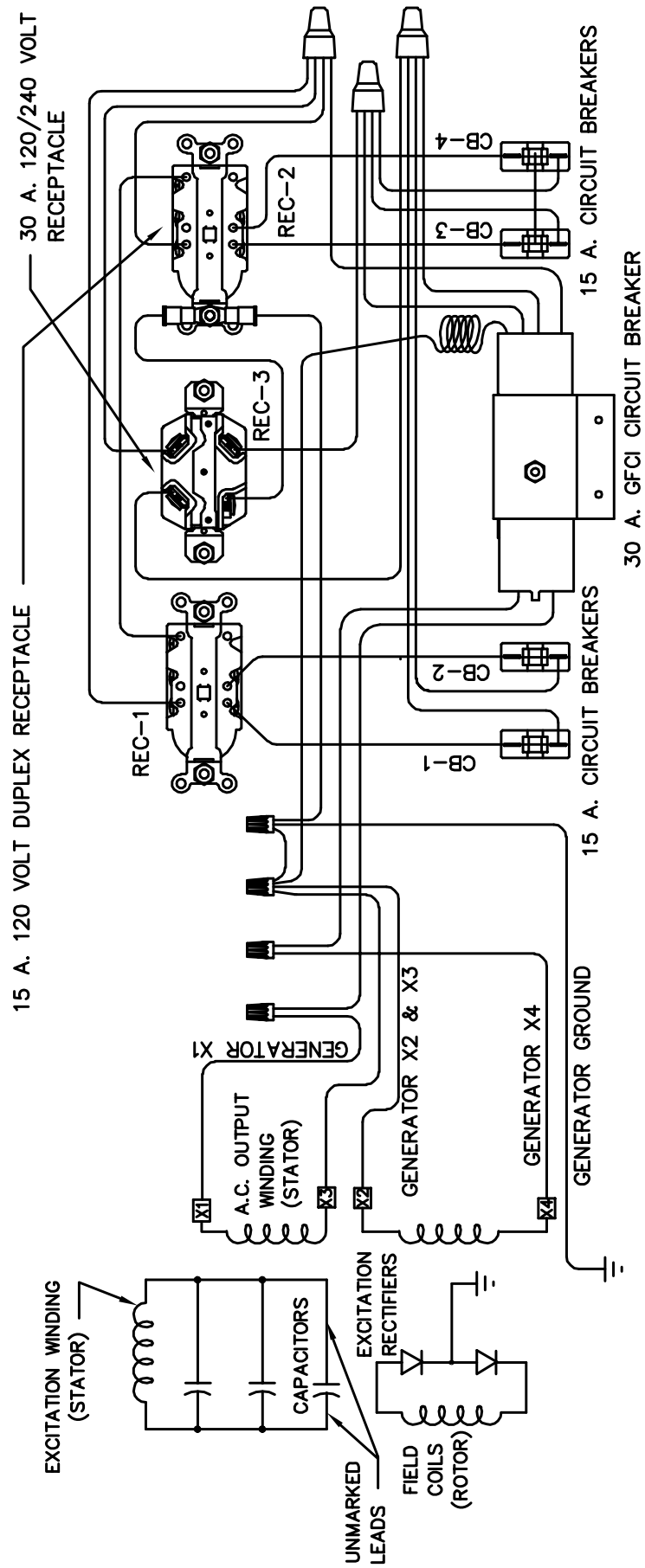
*A Division of **DTE** Dyna Technology Inc*

ILLUSTRATED PARTS LIST

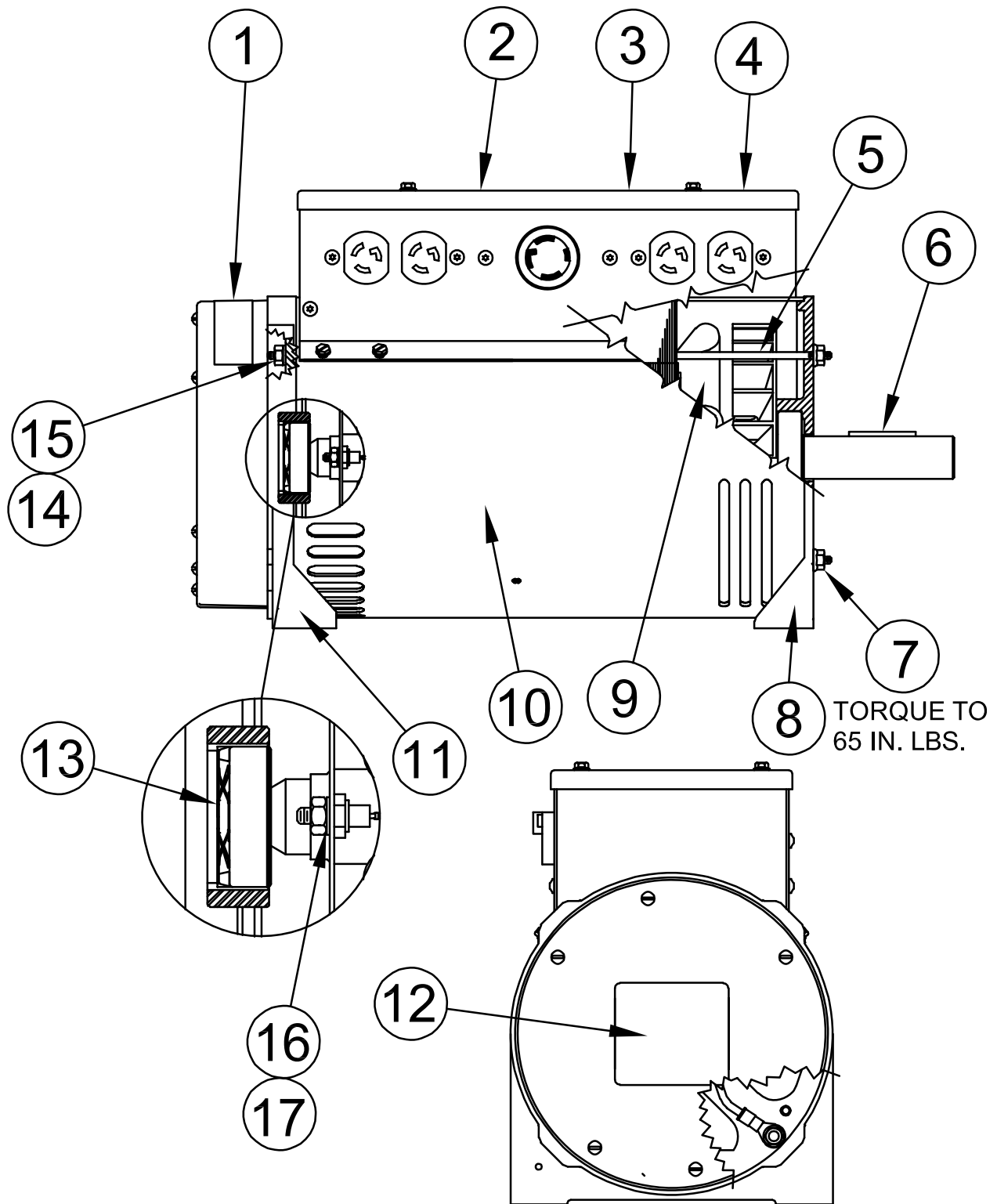
TB7200GF1/C



WIRING DIAGRAM



GENERATOR ASSEMBLY



GENERATOR ASSEMBLY

REF #	PART NUMBER	QTY	DESCRIPTION
1	15209-000	1	Danger Decal
2	64576-002	1	Circuit Breaker Decal
3	64576-003	1	Wiring Diagram Decal
4	15620-003	1	Receptacle Box Cover
5	15068-002	4	¼ - 20 X 14.813 Thru Bolt
6	44208-000	1	¼ X 1.75" Square Key
7	16248-000	4	¼ - 20 Hex Flange Nut
8	15577-002	1	Drive End Bracket
9	15604-000	1	Rotor Assembly
10	15605-001	1	Stator Assembly
11	15561-001	1	End Bracket
12	63966-007	1	Nameplate
13	16174-000	1	Wave Washer
14	479-000	4	¼" Split Lock Washer
15	638-000	4	¼" - 20 Hex Nut
16	15255-001	1	Standard Polarity Diode
17	15255-002	1	Reverse Polarity Diode
NI	40832-000	1	Grommet
NI	15013-000	4	# 10 - 32 X 3.5" Round Head Screw
NI	21975-000	4	# 10 Internal Tooth Lock Washer
NI	21698-001	10	# 10 - 24 X 3/8" Self Tapping Screw
NI	Not Illustrated		

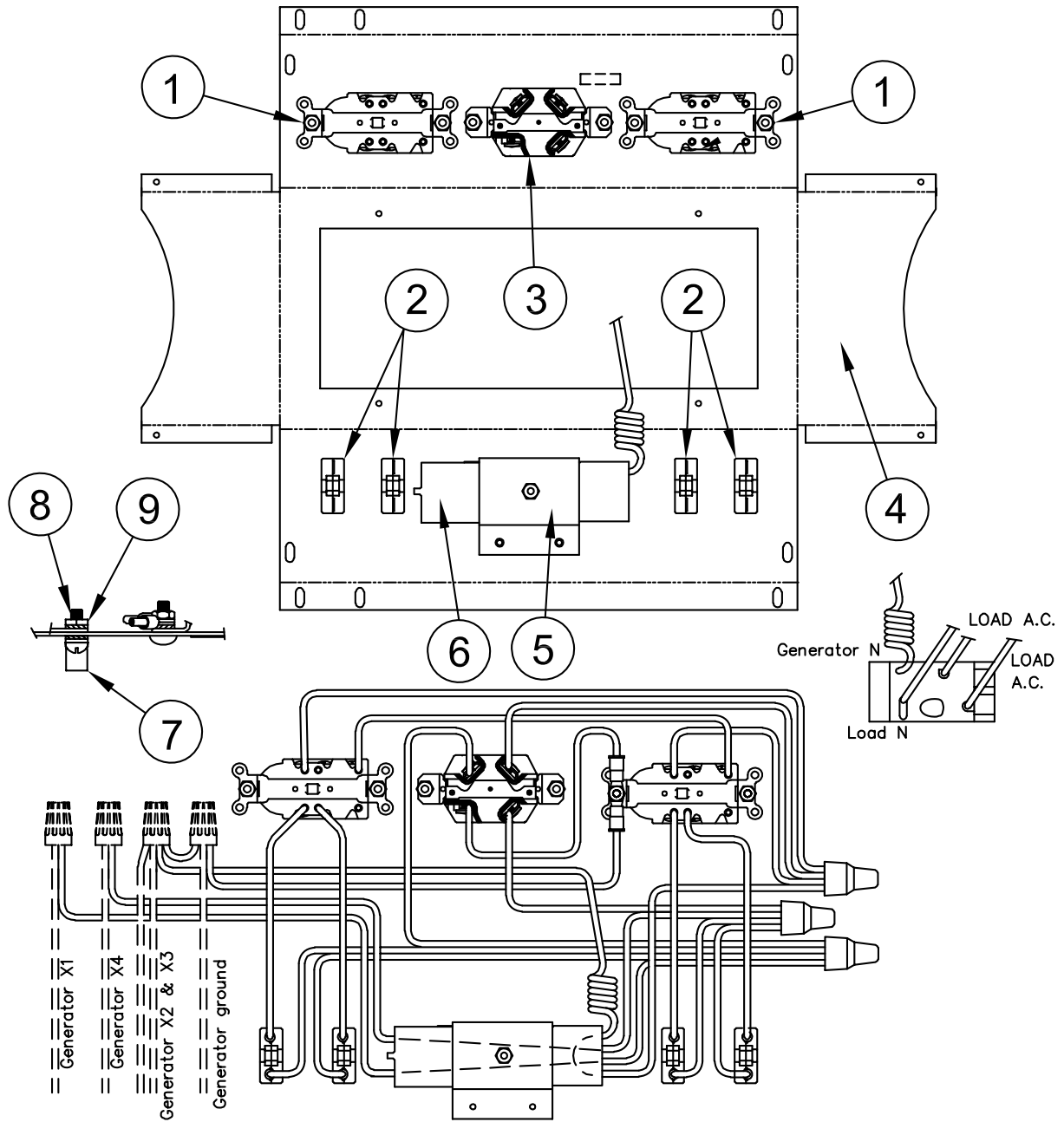
WINGO INC
A Division of **DTE** Dyna Technology Inc

225 S. CORDOVA AVE.
LECENTER, MN 56057
507-357-6821
SERVICE DEPT.
507-357-6831

WINDING RESISTANCE SPECIFICATIONS

G-1 TO N	0.14 OHMS
G-3 TO N	0.14 OHMS
CAP. LEADS	0.28 OHMS
ROTOR	0.74 OHMS

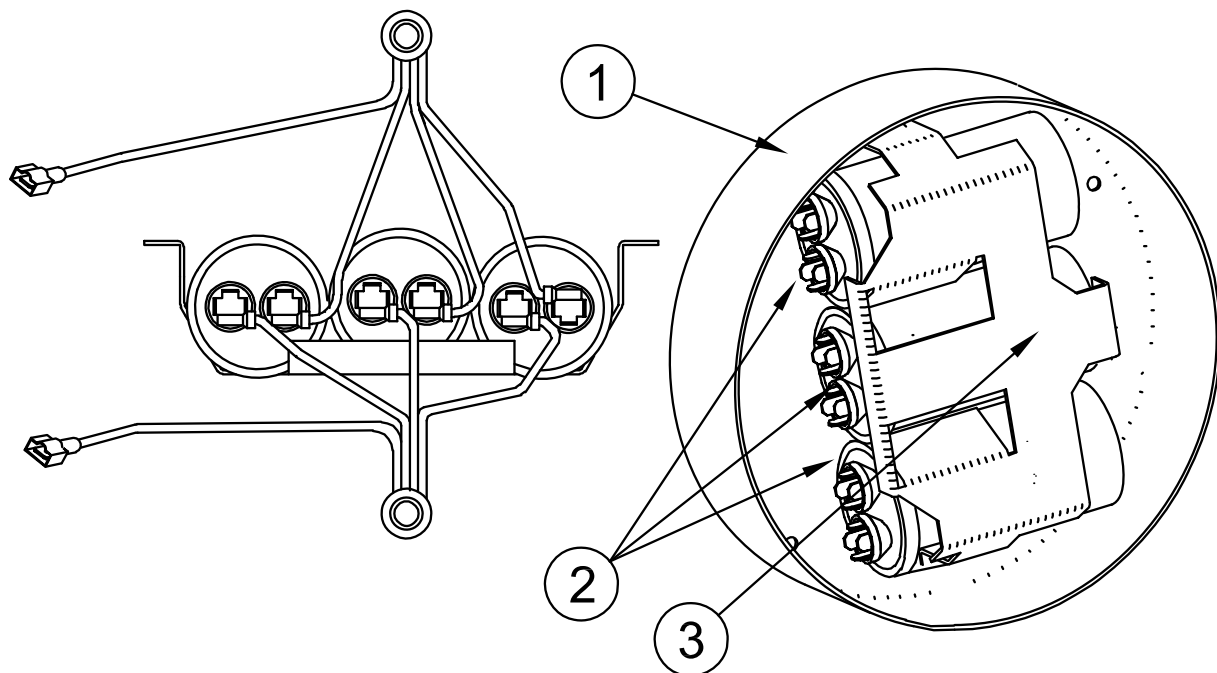
RECEPTACLE BOX ASSEMBLY



RECEPTACLE BOX ASSEMBLY

REF #	PART NUMBER	QTY	DESCRIPTION
1	49475-000	2	15 Amp Twist Lock Receptacle
2	91286-000	4	15 Amp Circuit Breaker
3	97360-000	1	30 Amp Receptacle
4	15615-003	1	Power Outlet Box
5	16319-000	1	Mounting Bracket
6	16488-000	1	30 Amp GFCI Circuit Breaker
7	48042-001	1	Ground Lug
8	456-000	2	# 10 - 24 Hex Nut
9	419-000	1	# 10 -24 X ½" Round Head Screw

END COVER ASSEMBLY



REF #	PART NUMBER	QTY	DESCRIPTION
1	15601-001	1	End Cover
2	15051-000	3	Capacitor
3	15600-000	1	Capacitor Strap

OUTLINE DRAWING

