

Features

Briggs & Stratton Vanguard Engine

Premium-grade Vanguard engines are application-engineered to power equipment that works for a living.

Automatic Voltage Regulator

This generator will automatically regulate voltage at +/- 1% and is safe for sensitive electrical equipment.

Powder Coat Paint

For an incredibly durable finish.

Sturdy Rrap-Around Welded Tubular Cradle

Redesigned 14 gauge tubular cradle.

7 Gallon Fuel Tank

The EPA approved steel fuel tank design eliminates hydrocarbon emissions.

Premium Square D Circuit Breakers

Providing clear and instant identification of a tripped circuit with a Visi-Trip indicator.

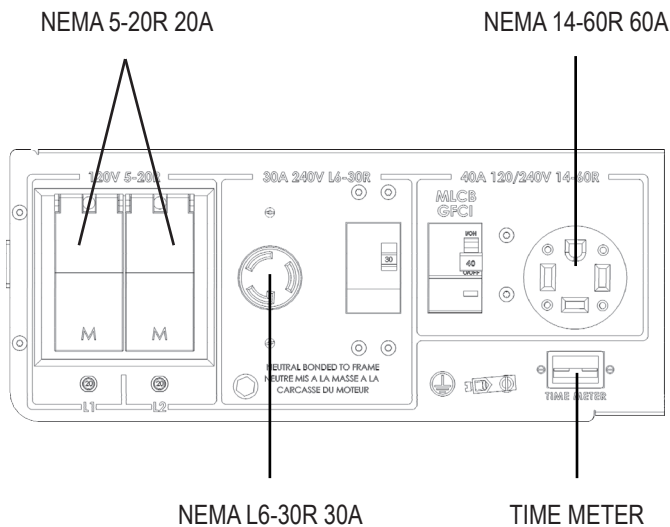
100% Load Tested

You won't find statistical sampling here. We load test every generator before it leaves our facility.

INDUSTRIAL



10,000 Surge Watts
9,600 Continuous Watts



Optional Accessories

Two-Wheel, Flat-Free Dolly Kit

Portability is important to get your generator where it needs to be.

Generator Cover

When your generator is not in use, you will want to keep it dust and debris free.

Plug-In Line Voltage Monitor

For when you want to verify the voltage output.

60 Amp (NEMA 14-60P) Plug

You supply the cord you need. We offer the plug.

Maintenance Kit

Keep the engine at its peak performance to ensure the generator will be ready when needed most.

Battery

Interstate group U1 300 CCA.

GENERATOR

SURGE WATTS	10,000
CONTINUOUS WATTS	9,600
CONTINUOUS AMPS	80/40
OUTPUT	120/240 VAC
VOLTAGE REGULATION	AVR +/-1%
FREQUENCY REGULATION	+/-3%
MAIN CIRCUIT BREAKER	40 AMP, 240 VAC (GFCI)
BONDED NEUTRAL	YES
120 VOLT RECEPTACLES	(2) NEMA 5-20R 20A (GFCI)
120/240 VOLT RECEPTACLES	(1) NEMA 14-60R 60A (GFCI)
240 VOLT RECEPTACLES	(1) NEMA L6-30R 30A (GFCI)
LIFTING EYE	YES
2-WHEEL DOLLY KIT	OPTIONAL
PROTECTIVE ROLL FRAME	14 GAUGE STEEL
GENERATOR WARRANTY ⁽¹⁾	3 YRS COMMERCIAL

NOTES: (1) For more generator warranty information contact your local WINCO dealer.

GENSET

MOTOR STARTING (CODE G) ⁽¹⁾	3 HP
SOUND DATA ⁽²⁾	
NO LOAD	81.3
FULL LOAD	82.8
EPA APPROVED	YES
CARB APPROVED	YES
CSA APPROVED	NO
UNIT WARRANTY ⁽³⁾	3 YRS COMMERCIAL

NOTES: (1) Code G capacitor start motor. (2) All measurements are in db(a). Tested at 7 meters (23 ft.). (3) For more generator warranty information contact your local WINCO dealer.

ENGINE

ENGINE BRAND	BRIGGS & STRATTON
ENGINE MODEL	VANGUARD
ENGINE STARTER	ELECTRIC/RECOIL
ENGINE SPEED	3600 RPM
ENGINE CYLINDERS	V-TWIN
DISPLACEMENT/TYPE	570 CC / OHV
LOW OIL PROTECTION	STANDARD
RECOMMENDED OIL ⁽¹⁾	10W-30
OIL CAPACITY	2.4 QT
FUEL TANK	7 GAL
FUEL GAUGE	YES
FULL LOAD RUN TIME	4.3 HOURS
TIME METER	YES
BATTERY SIZE ⁽²⁾	BCI GROUP U1 300 CCA
ENGINE WARRANTY ⁽³⁾	3 YRS COMMERCIAL

NOTES: (1) The oil recommended is for normal applications. See operator's manual for the recommended oil for your needs. (2) Battery not included (3) Contact your local Briggs & Stratton service center for engine warranty assistance.

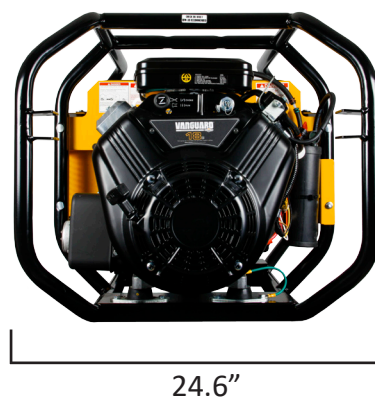
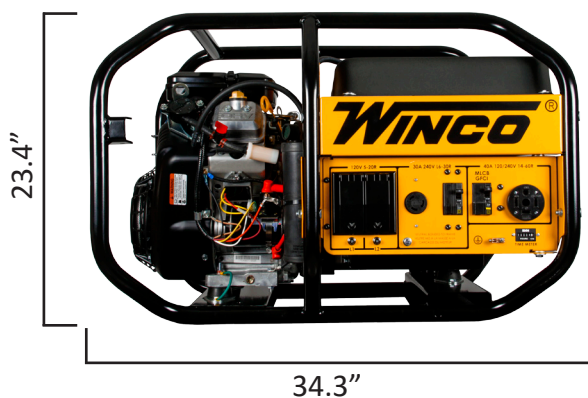
DIMENSIONS

DIMENSIONS	34.3" x 24.6" x 23.4"
NET WEIGHT	284 LBS

NOTES: Dimensions are L x W x H. Add 3" height if lifting eye is installed. Add 2" height dolly kit is installed.

SHIPPING

SHIPPING DIMENSIONS	35.8" x 24.8" x 24.9"
SHIP WEIGHT	298 LBS
FREIGHT CLASS	70



Specifications are subject to change without notice.
225 S. Cordova Ave Le Center, MN 56057 • 1-800-733-2112 • www.wincogen.com